

Wilo-MultiVert MVI 16../32../52../70../95..



de Einbau- und Betriebsanleitung
en Installation and operating instructions
fr Notice de montage et de mise en service

it Istruzioni di montaggio, uso e manutenzione
ru Инструкция по монтажу и эксплуатации

Fig. 1

MVI 16... / MVI 32... / MVI 52...

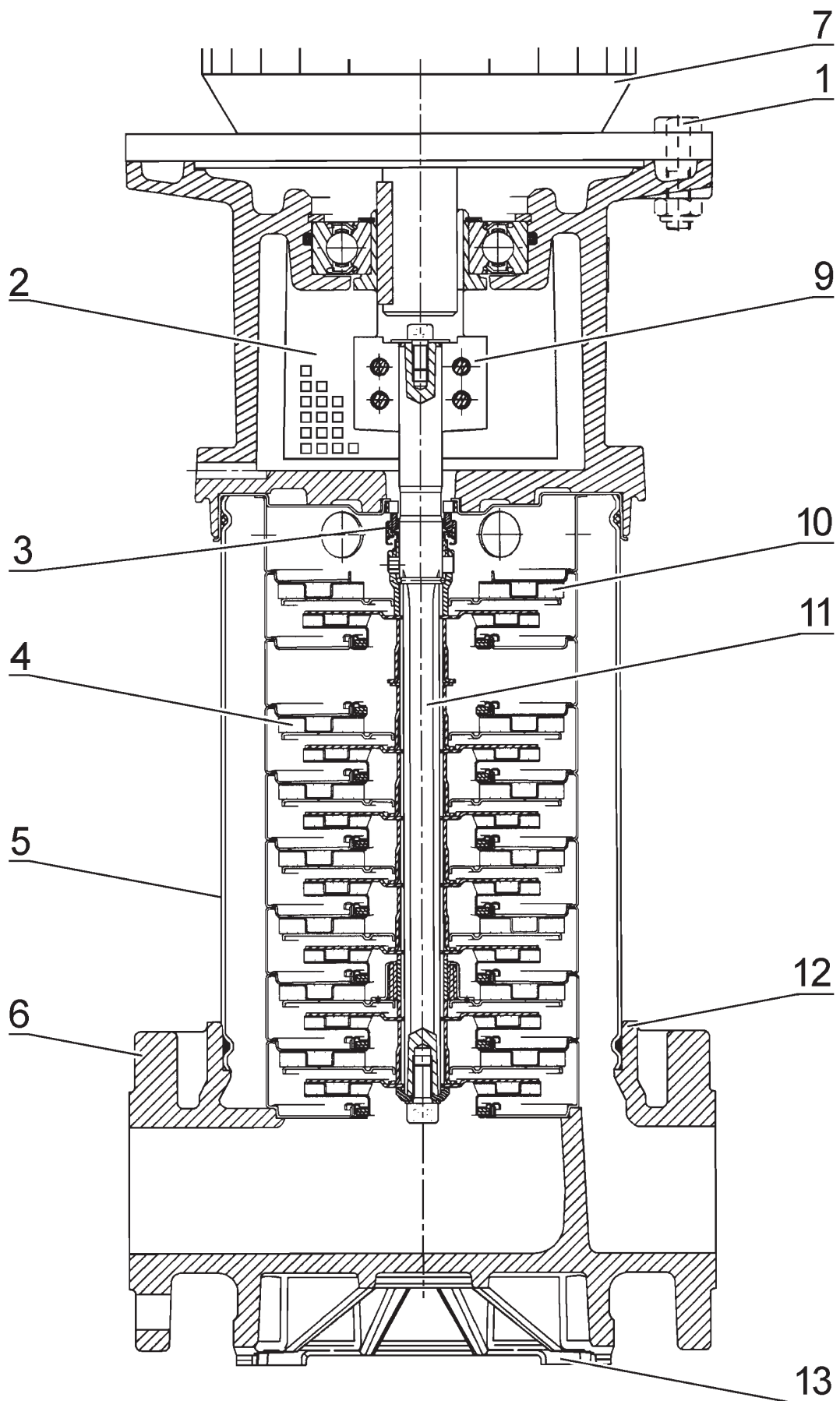


Fig. 1

MVI 70... / MVI 95...

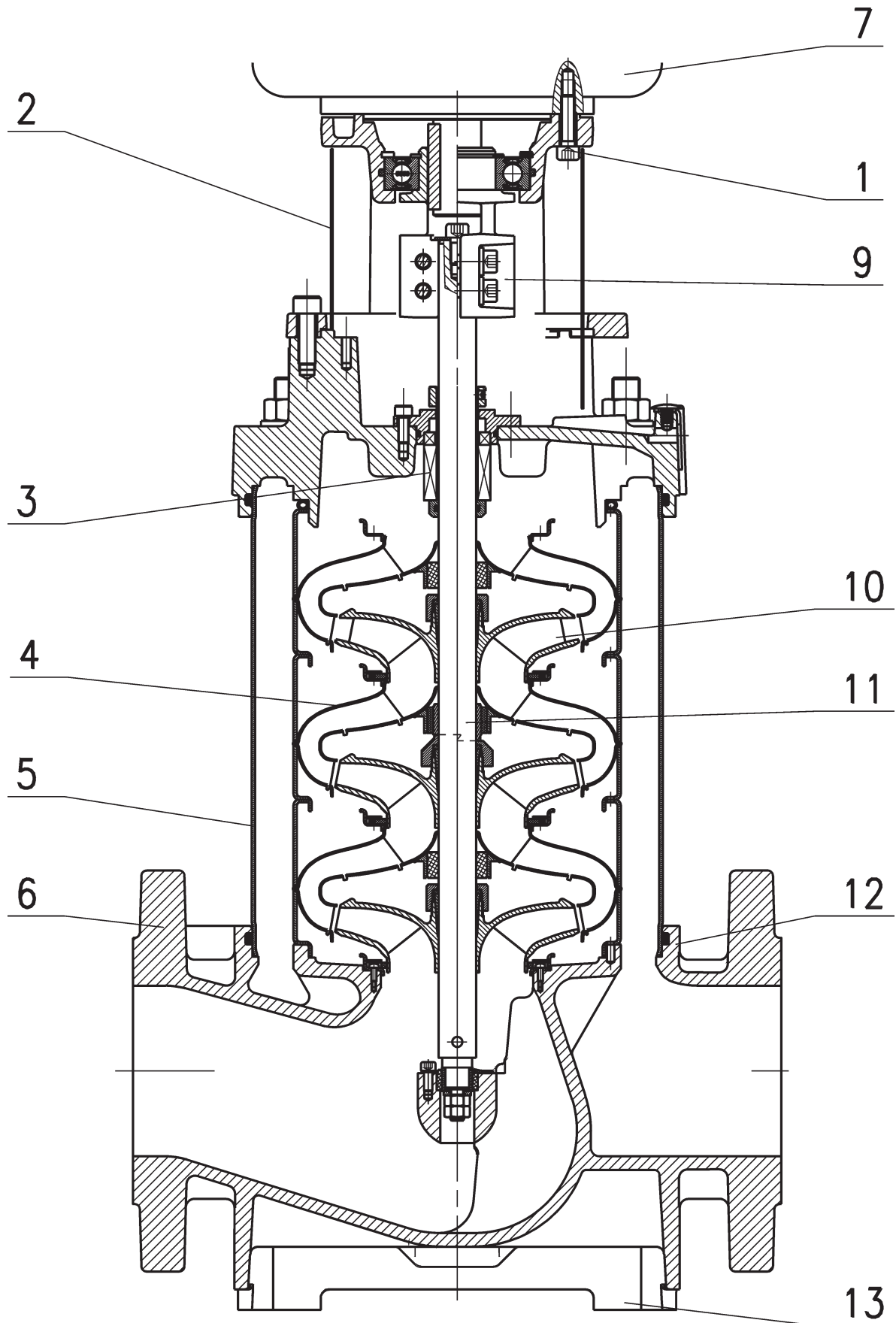


Fig. 2

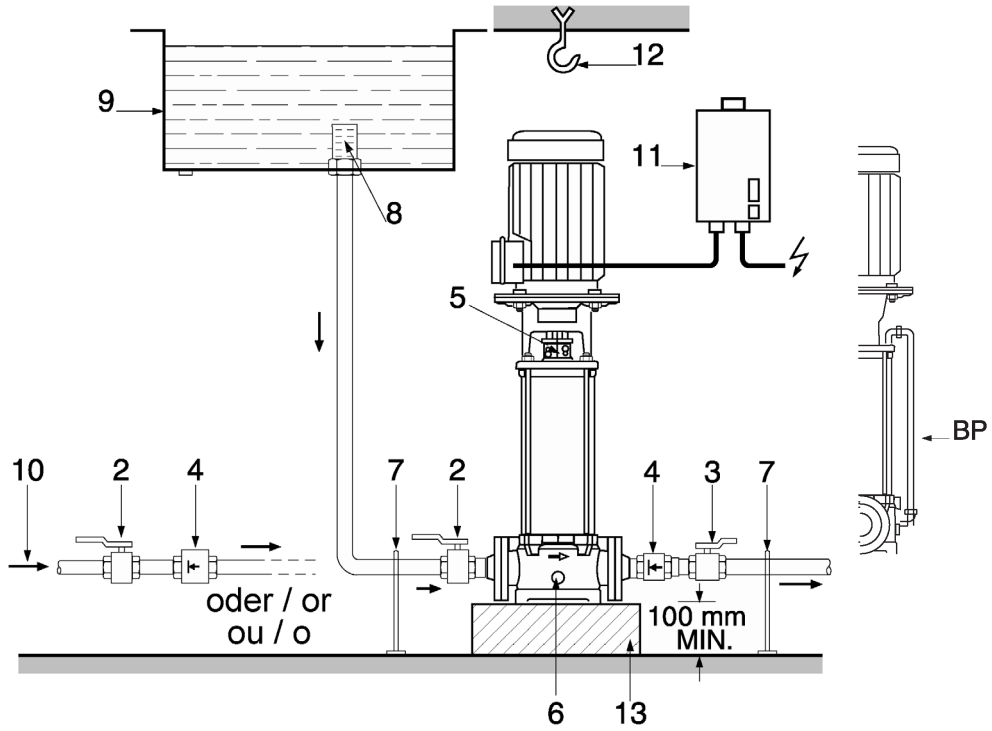


Fig. 3

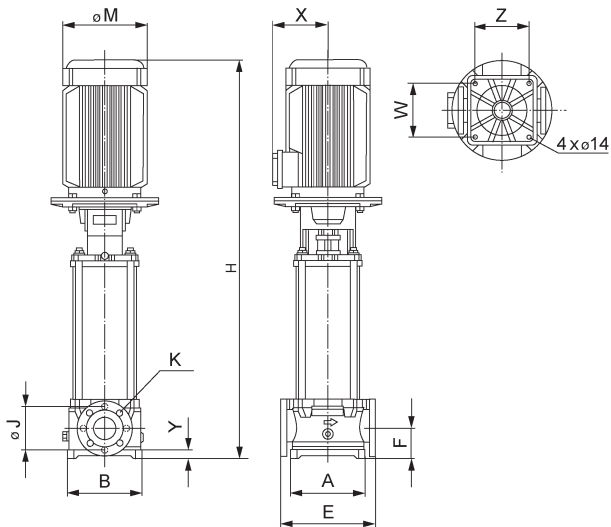
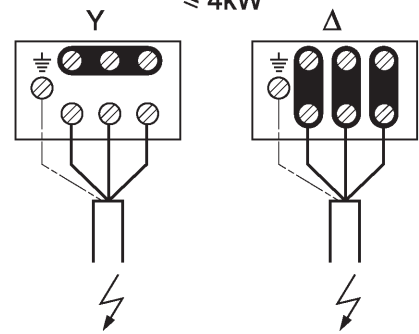


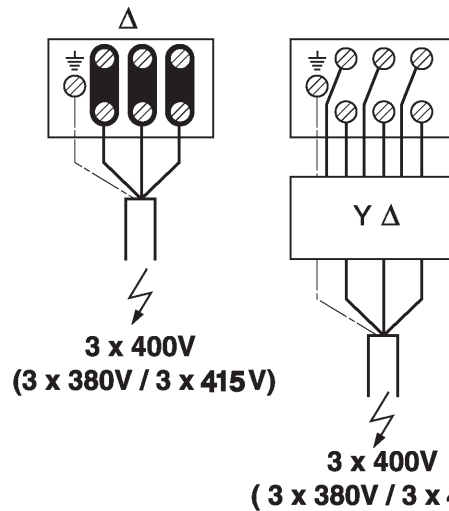
Fig. 4

MOT. 230 - 400V (220 - 380V / 240-415V)
 $\leq 4\text{kW}$



3 x 400V (3 x 380V / 3 x 415V) 3 x 230V (3 x 220V / 3 x 240V)

MOT. 400VΔ (380VΔ / 415VΔ)
 $> 4\text{kW}$



3 x 400V (3 x 380V / 3 x 415V)

3 x 400V (3 x 380V / 3 x 415V)

1. General

About this document

The language of the original operating instructions is French. All other languages of these instructions are translations of the original operating instructions. These Installation and Operating Instructions form an integral part of the unit. They must be kept close to the unit and in readiness whenever required. Precise observance of these instructions is a precondition for use of the unit for the intended purpose and for its correct operation. These Installation and Operating Instructions conform to the relevant version of the equipment and the underlying safety standards valid at the time of going to press.

**Installation and commissioning only
by qualified personnel**

1.1 Uses

The pump is suitable for hot and cold water and other fluids free from mineral oil and without abrasives or long-fibred substances. The main areas of use are in water supply installations, as a booster pump, as a boiler feeder pump, in industrial circulation systems, in process technology, in cooling water systems, in fire extinguishers and in washing and sprinkler installations.

1.2 Product data

1.2.1 Connection and electrical data (table 1)

(table 1)

Pumping medium allowed	Drinking water in acc. with Drinking Water Order Heating water / service water Condensate Water/glycol mixture ¹⁾ Other liquid media ²⁾
Permissible media temperature	-15°C to +120°C (Follow catalogue instructions)
Maximum ambient temperature	+40°C
Maximum permissible working pressure: at the inlet (inlet pressure see paragraph 5.3) at the outlet, for a 2 pole motor at the outlet, for a 2 pole motor	10 bar 16/25 bar 16 bar
Mains voltages DM: for < P2 ≤ 4 kW for P2 ≥ 5,5 kW	3 ~ 230/400 V ± 10%, 50 Hz 3 ~ 400 V ± 10%, 50 Hz
Standard motor for P2 ≤ 5,5 kW for P2 ≥ 7,5 kW	V 18 Standard motor V 1 Standard motor
Speed 2 pole version 4 pole version	2900 RPM 1450 RPM
Mains fuse protection	see motor rating plate
Insulation class	F
System of protection	IP 55 better protective systems available

1) When using a water-glycol mixture containing up to 40% glycol (or media with a viscosity different to that of pure water, the flow data for the pump must be adjusted according to the higher viscosity of the flow media, regardless of the percentage of the viscous matter. Only use branded goods with corrosion protection-inhibitors, follow manufacturer's instructions.

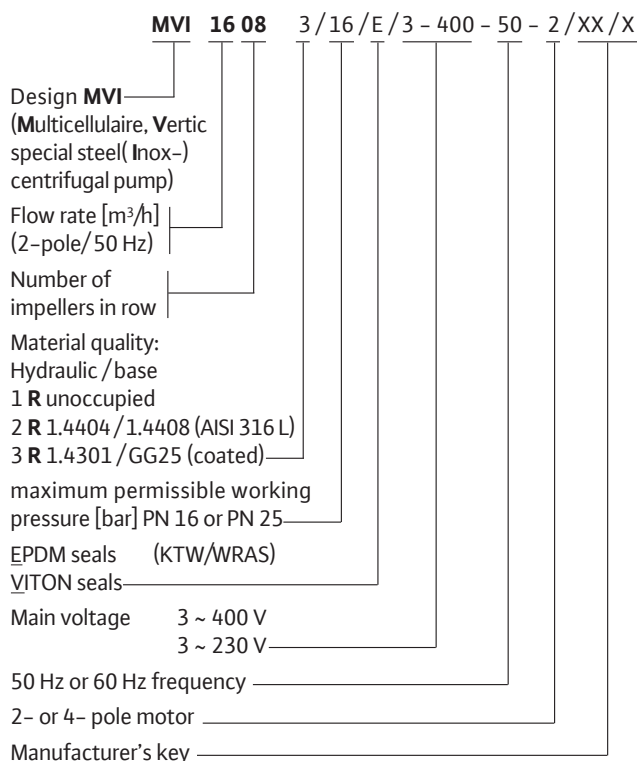
2) If other and also aggressive chemical fluids are to be pumped, be sure to follow catalogue instructions and first obtain the approval of Wilo.

Principal dimensions and connection dimensions (Table 2, see also Fig. 3):

Types		PN16 version										PN25 version									
		A	B	Y	W	Z	E	F	J	K	A	B	Y	W	Z	E	F	J	K		
MVI		mm										mm									
1602 x 1614	DN50	194	252	20	215	130	300	90	125	4x18	194	252	20	215	130	300	90	125	4x18		
3202 x 3216	DN65	235	235	35	195	195	320	105	145	4x18	260	260	35	220	220	320	120	145	8x18		
5202 x 5212	DN80	260	260	30	220	220	320	105	160	8x18	260	260	30	220	220	320	105	160	8x18		
7001 x 7007	DN100	261	350	45	280	199	380	140	180	8x19	261	350	45	280	199	380	140	190	8x23		
9501 x 9506	DN100	261	350	45	280	199	380	140	180	8x19	261	350	45	280	199	380	140	190	8x23		

When ordering spare parts, please give all the information on the pump/motor rating plate.

1.2.2 Type key



2. Safety

These instructions contain important information which must be followed when installing and operating the pump. These operating instructions must therefore be read before assembly and commissioning by the installer and the responsible operator. Both the general safety instructions in the "Safety precautions" section and those in subsequent sections indicated by danger symbols should be carefully observed.

2.1 Danger symbols used in these operating instructions

Safety precautions in these operating instructions which, if not followed, could cause personal injury are indicated by the symbol:



when warning of electrical voltage with

The following symbol is used to indicate that by ignoring the relevant safety instructions, damage could be caused to the pump/machinery and its functions:

WARNING!

2.2 Staff training

The personnel installing the pump must have the appropriate qualifications for this work.

2.3 Risks incurred by failure to comply with the safety precautions

Failure to comply with the safety precautions could

result in personal injury or damage to the pump or installation. Failure to comply with the safety precautions could also invalidate any claim for damages.

In particular, failure to comply with these safety precautions could give rise, for example, to the following risks:

- Failure of important pump or machinery functions,
- Personal injury due to electrical, mechanical and bacteriological causes.
- Damage to property.

2.4 Safety precautions for the operator

Existing regulations for the prevention of accidents must be followed.

Dangers caused by electrical energy are to be excluded. Directives issued by the VDE [German Association of Electrical Engineers] and the local electricity supply companies are to be observed.

2.5 Safety information for inspection and assembly

The operator is responsible for ensuring that inspection and assembly are carried out by authorised and qualified personnel who have studied the operating instructions closely.

Work on the pump/machinery should only be carried out when the machine has been brought to a standstill.

2.6 Unauthorized modification and manufacture of spare parts

Changes to the pump/machinery may only be made in agreement with the manufacturer.

The use of original spare parts and accessories authorised by the manufacturer will ensure safety. The use of any other parts may invalidate claims invoking the liability of the manufacturer for any consequences.

2.7 Improper use

The operating safety of the pump or installation supplied can only be guaranteed if it is used in accordance with paragraph 1 of the operating instructions. The limiting values given in the catalogue or data sheet must neither be exceeded nor allowed to fall below those specified.

3. Transport and storage

WARNING! During transport and in storage the pump must be protected against moisture, frost and mechanical damage. The pump unit is to be transported with the shaft horizontal. When storing, ensure that the pump unit cannot overturn as a result of top-heaviness.

4. Product and accessory description

4.1 The pumps

The pump is a multistage (1–16 stages) normal suction vertical high pressure centrifugal pump with an in-line design, i.e. the inlet and outlet pressure glands are in a line. The pump is available in 2 pressure versions, PN 16 and PN 25 with integrally cast circular flanges.

The pump (Fig. 1) stands on a grey cast iron pump footplate which serves as a fixing base (13).

The stage casings (4) are in a multiple modular

construction. The impellers (10) are fitted on a single shaft (11). The pressure casing (5) guarantees a fail-safe seal.

All parts that come into contact with the medium, such as stage housings, impellers and pressure casings are made of chromium nickel steel, the pump footplate (Pos. 12) with flanges (Pos. 6) of coated GG 25 (up to 85°C) or of chromium nickel steel (on request). The shaft hole through the pump casing is sealed with an axial face seal (3).



MVI32C, MVI52C, MVI70 and MVI95 are equipped with a cartridge system in order to ease standard mechanical seal replacement without disassembling the hydraulic parts.

“Spacer” feature allows not to disassemble motor on MVI32C, MVI52C, MVI70 and MVI95 when removing mechanical seal cartridge.

The pump and motor shafts are linked together by a clutch (9). All parts of the drinking water version (version E) which are in contact with the fluid have been cleared by KTW and WRAS and are therefore suitable for use with drinking water.

The speed of the pump can be controlled when connected to a frequency converter (see paragraph 5.3).

4.2 Products delivered

- High pressure centrifugal pump
- Installation and operating instructions

4.3 Accessories

see catalogue or data sheet

5. Assembly/Installation

- See the rating plate of the pump and the rating plate of the motor

5.1 Assembly

WARNING!

Assembly should only take place once all welding and soldering work and the rinsing of the pipe network has been completed. Dirt will damage the pump.

- Install the pump in a dry place free of frost.
- Install in a horizontal and flat position. If the pump is positioned on an incline the bearing will wear more quickly.
- Install the pump in an easily accessible place to facilitate inspection and disassembly. Always install the pump exactly perpendicular on a sufficiently heavy concrete base (Fig. 2, 3). Fit a vibration absorber between the base and the floor.
- Dimensions for installation and connections are given in Paragraph 1.2.1, Table 2 and in Fig. 3.
- In the case of heavy pumps fit a hook (Fig. 2, Pos. 12) or eye with a suitable load-bearing capacity (total weight of pump: see catalogue/ data sheet) vertically above the pump, to which a hoist or similar device can be attached when maintaining or repairing the pump. Allow for a free size when completed of min. 200 mm.

- The arrow on the pump casing indicates the direction of flow.
- Fit the inlet and outlet pipes without stress. Install below expansion joints of restricted length to absorb vibrations. The pipes must be attached (Fig. 2, 7) in such a way that the pump does not bear the weight of the pipes.
- Isolation mechanisms (Fig. 2, 2 & 3) must in principle be installed in front of and behind the pump to avoid having to empty and refill the whole installation when inspecting or changing the pump.
- To avoid pressure loss it is recommended that you choose as short an inlet pipe as possible, choose a nominal width for the suction pipe which is larger by a nominal width than the pump connection and avoid constrictions caused by bends and valves.
- A backflow preventer (Fig. 2, 4) should be fitted in the outlet pipe.
- For differential pressures > 6 bar the backflow preventer (Fig. 2, Pos. 4) is to be fitted in the suction pipe. It is not required at the outlet.
- The axial face seal should be protected against dry running. An inlet pressure gauge or level gauge should be installed by the customer.
- If the pump is to be connected indirectly via a reservoir, a suction strainer (Fig. 2, 8) must be provided in the inlet pipe by the customer to prevent coarse impurities entering the pump.
- With limited nominal pressure PN, ensure that this pressure is produced from the inlet pressure and the zero flow level:

$$P_{\text{Inlet}} \leq PN - P_{\text{max pump}}$$

- For gaseous or hot pumping media a bypass pipe is to be fitted to the pump (Fig. 2, Pos. BP), (accessory).

5.2 Electrical connection



Electrical connection should be made by a qualified electrician. Current national regulations must be observed (e.g. VDE regulations in Germany).

- Check that the mains current and voltage comply with the data on the rating plate.
- Pump/installation must be earthed in compliance with regulations.
- All motors must be fitted with a motor safety switch by the customer to prevent the motor from overheating.

Adjusting the motor safety switch:

Direct starting current: Adjust to nominal current of the motor in accordance with the data on the motor rating plate.

Y-Δ-start: If the motor safety switch is connected as a star or triangular safety circuit combination at the supply line it can be adjusted in the same way units operating on direct starting current. If the motor safety switch is connected to the motor supply line in phase (U1/V1/W1 or U2/V2/W2), then the motor safety switch should be adjusted to the value of 0.58 of the nominal motor current.

- The mains cable can be inserted to the left or the right of the terminal box. Open the appropriate hole by removing the moulded cover, unscrew the PG connector and push the cable through the PG connector.

- The supply cable must be protected against the effects of heat and vibrations which may come from the motor or the pump.
- When using the pump in machinery where the water temperature exceeds 90°C, a connecting pipe with corresponding heat resistance must be used.
- Connections to the mains must be carried out in accordance with the plan of terminal connections for rotary or alternating current in the terminal box of the pump (Fig. 4).
- The terminal box can be better positioned by rotating the motor through steps of 90°. To this end the connecting screws (Fig. 1, Pos. 1) of the lantern (Fig. 1, Pos. 8) and motor flange are to be loosened.
In the case of internal connecting screws the clutch guard (Fig. 1, Pos. 2) is to be removed beforehand. When assembling the clutch guard, do not forget to tighten the safety screw.

5.3 Operation with frequency converter

The speed of the pump can be controlled when connected to a frequency converter. See Installation and Operating Instructions of the frequency converter for connection and operation. The frequency converter may not generate a speed due to increased voltage greater than 2500 V/μs and voltage peaks $\hat{u} > 1000$ V, as otherwise the motor coil will be destroyed. If such speeds due to the increased voltage are possible, an LC filter (motor filter) should be installed between the frequency converter and the motor.

-6. Commissioning

WARNING!

In order to protect the axial face seal, the pump must not run dry.

- Close both isolating valves and open the vent screw (Fig. 2, 5) by one and a half or two turns.
- Slowly open the isolating valve (Fig. 2, 2) at the inlet until the air has escaped from the vent screw and the fluid to be pumped comes out. The escaping air will be clearly heard hissing. Tighten the vent screw.
- Slowly open the isolating valve at the outlet (Fig. 2, 3). The manometer installed at the outlet should be checked for any possible pressure instabilities, indicated by a flickering manometer pointer. If the pressure is unstable, allow more air to escape.



When the temperature of the liquid being pumped is high and the system is pressurised, any flow escaping from the vent screw can cause scalding and injuries. The vent screw should therefore be loosened only slightly.

- When used for the first time, if it is to be used to pump drinking water the system must be flushed through, so that any dirty water present will not contaminate the drinking water supply.

- **Checking the direction of rotation** (only for rotary current motors): Check that the pump rotates in the same direction indicated by the arrow on the pump casing by switching on for a short time. If this is not the case, interchange 2 phases in the terminal box.
For pumps with a star or triangular circuit starting current, the connections of two coils must be

interchanged, e.g. U1 with V1 and U2 with V2.

- If the fluid temperature is too high, steam may form which may damage the pump. The pump must therefore not run with the valve closed for longer than 10 minutes when pumping cold water or for longer than five minutes when pumping fluid where $> 60^\circ\text{C}$.
We recommend that the flow rate does not drop to below 10% of the nominal flow rate so as to avoid a build up of steam in the pump.
- If there is a build up of steam, this should be allowed to escape by carefully opening the vent screw.



Both pump and motor can reach operating temperatures $> 100^\circ\text{C}$. Therefore exercise caution when touching the pump.

7. Maintenance



Before carrying out any maintenance work, switch off the pump and ensure that it cannot be switched on again by unauthorised people. Never carry out work on a running pump.

- During the running-in period, there may be some dripping from the axial face seal. In the event of a serious leak as a result of heavy wear have the mechanical seal replaced by a specialist.
- Increased bearing noise and unusual vibrations indicate a worn bearing. In this case, have the bearing replaced by a specialist.
- If the pump is exposed to frost, the pump and pipework must be emptied in the cold season. Close the isolating valve and open the drain valve (Fig. 2, 6) and the vent screw (Fig. 2, 5) of the pump.

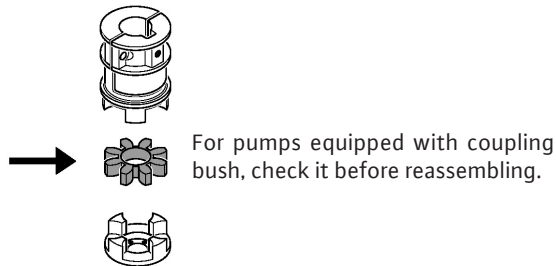


The isolating valve must be closed before the drain valve is opened.

Type					
	< 22 kW	22 kW	30 kW	37 kW	45 kW
MVI 16					
MVI 32			✓		
MVI 52			✓	✓	
MVI 70		✓	✓	✓	✓
MVI 95		✓	✓	✓	✓

- If placed in a frost-free location, the pump does not have to be emptied, even if it is out of service for a long period.

On pumps equipped with greaser under bearing box (table below), see greasing instructions written on sticker put on it:



8. Problems, Causes and Solutions

Problem	Cause	Solutions
Pump does not run	no power	check fuses, cables and connections
	motor safety switch activated	Eliminate motor overload
Pump runs but does not pump	Incorrect direction of rotation	check direction of rotation and correct if necessary
	pipe or pump components blocked by foreign body	Check and clean pipe and pump
	air in inlet pipe	Seal inlet pipe
	inlet pipe too narrow	fit a larger inlet pipe
	valve not sufficiently open	open valve
Pump does not pump evenly	air in the pump	bleed the pump
Pump vibrates and is noisy	foreign body in the pump	remove foreign body
	pump not properly fixed to the base	tighten anchor bolts
	bearing damaged	consult customer services
Motor overheats motor cut-out activates	one phase interrupted	check fuses, cables and connections
	pump sluggish: foreign body bearing damaged	clean pump have pump repaired by customer services
	ambient temperature too high	provide cooling

If the fault cannot be remedied, please contact your plumbing and heating specialist or your nearest WILO customer services or representative.

Subject to technical alterations!

**EG KONFORMITÄTSERKLÄRUNG
EC DECLARATION OF CONFORMITY
DECLARATION DE CONFORMITE CE**

Als Hersteller erklären wir hiermit, dass die Pumpenbauarten der Baureihen
We, the manufacturer, declare that the pump types of the series
Nous, fabricant, déclarons que les types de pompes des séries

**Wilo-Multivert
MVI 1 / 2 / 4 / 8 / 70 / 95**

(Die Seriennummer ist auf dem Typenschild des Produktes nach Punkten b) & c) von §1.7.4.2 und §1.7.3 des Anhanges I der Maschinenrichtlinie angegeben. / The serial number is marked on the product site plate according to points b) & c) of §1.7.4.2 and §1.7.3 of the annex I of the Machinery directive. / Le numéro de série est inscrit sur la plaque signalétique du produit en accord avec les points b) & c) du §1.7.4.2 et du §1.7.3

in der gelieferten Ausführung folgenden einschlägigen Bestimmungen entsprechen :
In their delivered state comply with the following relevant directives :
dans leur état de livraison sont conformes aux dispositions des directives suivantes :

- _ Maschinenrichtlinie 2006/42/EG**
- _ Machinery 2006/42/EC**
- _ Machines 2006/42/CE**

und gemäss Anhang 1, §1.5.1, werden die Schutzziele der Niederspannungsrichtlinie 2006/95/EG eingehalten,
and according to the annex 1, §1.5.1, comply with the safety objectives of the Low Voltage Directive 2006/95/EC.
et, suivant l'annexe 1, §1.5.1, respectent les objectifs de sécurité de la Directive Basse Tension 2006/95/CE.

- _ Elektromagnetische Verträglichkeit-Richtlinie 2004/108/EG**
- _ Electromagnetic compatibility 2004/108/EC**
- _ Compabilité électromagnétique 2004/108/CE**

- _ Richtlinie energieverbrauchsrelevanter Produkte 2009/125/EG**
- _ Energy-related products 2009/125/EC**
- _ Produits liés à l'énergie 2009/125/CE**

Nach den Okodesign-Anforderungen der Verordnung 640/2009 für Ausführungen mit einem einstufigen Dreiphasen - 50Hz - Käfigläufer - Induktionselektromotor / Nach den Ökodesign-Anforderungen der Verordnung 547/2012 für Wasserpumpen,
This applies according to eco-design requirements of the regulation 640/2009 to the versions with an induction electric motor, squirrel cage, three-phase, single speed, running at 50Hz / This applies according to eco-design requirements of the regulation 547/2012 for water pumps, suivant les exigences d'éco-conception du règlement 640/2009 aux versions comportant un moteur électrique à induction à cage d'écureuil, triphasé, mono-vitesse, fonctionnant à 50Hz / suivant les exigences d'éco-conception du règlement 547/2012 pour les pompes à eau

und entsprechender nationaler Gesetzgebung,
and with the relevant national legislation,
et aux législations nationales les transposant,

sowie auch den Bestimmungen zu folgenden harmonisierten europäischen Normen :
comply also with the following relevant harmonized European standards :
sont également conformes aux dispositions des normes européennes harmonisées suivantes :

EN 809+A1
EN ISO 12100

EN 60034-1
EN 60204-1

Bevollmächtigter für die Zusammenstellung der technischen Unterlagen ist:
Person authorized to compile the technical file is :
Personne autorisée à constituer le dossier technique est :

Dortmund,

H. HERCHENHEIN
Group Quality Manager

N°2117775.04
(CE-A-S n°4145427)

ppa. H. Herchenhein

Digital
unterschieden von
holger.herchenhein@
wilo.com
Datum: 2014.11.25
12:03:49 +01'00'

Division Pumps and Systems
Quality Manager – PBU Multistage & Domestic
WILO SALMSON FRANCE
80 Bd de l'Industrie - BP0527
F-53005 Laval Cedex

wilo

WILO SE
Nortkirchenstraße 100
44263 Dortmund - Germany

<p align="center">(BG) - български език ДЕКЛАРАЦИЯ ЗА СЪОТЕТСТВИЕ ЕО</p> <p>WILO SE декларира, че продуктите посочени в настоящата декларация съответстват на разпоредбите на следните европейски директиви и приелите ги национални законодателства:</p> <p>Машини 2006/42/ЕО ; Електромагнитна съвместимост 2004/108/ЕО ; Продукти, свързани с енергопотреблението 2009/125/ЕО</p> <p>както и на хармонизираните европейски стандарти, упоменати на предишната страница.</p>	<p align="center">(CS) - Čeština ES PROHLÁŠENÍ O SHODĚ</p> <p>WILO SE prohlašuje, že výrobky uvedené v tomto prohlášení odpovídají ustanovením níže uvedených evropských směrnic a národním právním předpisům, které je přejímají:</p> <p>Stroje 2006/42/ES ; Elektromagnetická Kompatibilita 2004/108/ES ; Výrobků spojených se spotřebou energie 2009/125/ES</p> <p>a rovněž splňují požadavky harmonizovaných evropských norem uvedených na předcházející stránce.</p>
<p align="center">(DA) - Dansk EF-OVERENSSTEMMELSESERKLÆRING</p> <p>WILO SE erklærer, at produkterne, som beskrives i denne erklæring, er i overensstemmelse med bestemmelserne i følgende europæiske direktiver, samt de nationale lovgivninger, der gennemfører dem:</p> <p>Maskiner 2006/42/EF ; Elektromagnetisk Kompatibilitet 2004/108/EF ; Energirelaterede produkter 2009/125/EF</p> <p>De er ligeledes i overensstemmelse med de harmoniserede europæiske standarder, der er anført på forrige side.</p>	<p align="center">(EL) - Ελληνικά ΔΗΛΩΣΗ ΣΥΜΜΟΡΦΩΣΗΣ ΕΚ</p> <p>WILO SE δηλώνει ότι τα προϊόντα που ορίζονται στην παρούσα ευρωπαϊκή δήλωση είναι σύμφωνα με τις διατάξεις των παρακάτω οδηγιών και τις εθνικές νομοθεσίες στις οποίες έχει μεταφερθεί:</p> <p>Μηχανήματα 2006/42/ΕΚ ; Ηλεκτρομαγνητικής συμβατότητας 2004/108/ΕΚ ; Συνδεδεμένα με την ενέργεια προϊόντα 2009/125/ΕΚ</p> <p>και επίσης με τα εξής εναρμονισμένα ευρωπαϊκά πρότυπα που αναφέρονται στην προηγούμενη σελίδα.</p>
<p align="center">(ES) - Español DECLARACIÓN CE DE CONFORMIDAD</p> <p>WILO SE declara que los productos citados en la presenta declaración están conformes con las disposiciones de las siguientes directivas europeas y con las legislaciones nacionales que les son aplicables :</p> <p>Máquinas 2006/42/CE ; Compatibilidad Electromagnética 2004/108/CE ; Productos relacionados con la energía 2009/125/CE</p> <p>Y igualmente están conformes con las disposiciones de las normas europeas armonizadas citadas en la página anterior.</p>	<p align="center">(ET) - Eesti keel EÜ VASTAVUSDEKLARATSIOONI</p> <p>WILO SE kinnitab, et selles vastavustunnistuses kirjeldatud tooted on kooskõlas alljärgnevate Euroopa direktiivide sätetega ning riiklike seadusandlustega, mis nimetatud direktiivide üle on võtnud:</p> <p>Masinaid 2006/42/EÜ ; Elektromagnetilist Ühilduvust 2004/108/EÜ ; Energiatõuga toodete 2009/125/EÜ</p> <p>Samuti on tooted kooskõlas eelmisel leheküljel ära toodud harmoniseeritud Euroopa standarditega.</p>
<p align="center">(FI) - Suomen kieli EY-VAATIMUSTENMUKAISUUSVAKUUTUS</p> <p>WILO SE vakuuttaa, että tässä vakuutuksessa kuvatut tuotteet ovat seuraavien eurooppalaisten direktiivien määräysten sekä niihin sovellettavien kansallisten lakiasetusten mukaisia:</p> <p>Koneet 2006/42/EY ; Sähkömagneettinen Yhteensopivuus 2004/108/EY ; Energiaan liittyvien tuotteiden 2009/125/EY</p> <p>Lisäksi ne ovat seuraavien edellisellä sivulla mainittujen yhdenmukaistettujen eurooppalaisten normien mukaisia.</p>	<p align="center">(HR) - Hrvatski EZ IZJAVA O SUKLADNOSTI</p> <p>WILO SE izjavljuje da su proizvodi navedeni u ovoj izjavi u skladu sa sljedećim prihvaćenim europskim direktivama i nacionalnim zakonima:</p> <p>EZ smjernica o strojevima 2006/42/EZ ; Elektromagnetna kompatibilnost - smjernica 2004/108/EZ ; Smjernica za proizvode relevantne u pogledu potrošnje energije 2009/125/EZ</p> <p>i usklađenim europskim normama navedenim na prethodnoj stranici.</p>
<p align="center">(HU) - Magyar EK-MEGFELELŐSÉGI NYILATKOZAT</p> <p>WILO SE kijelenti, hogy a jelen megfélelőégi nyilatkozatban megjelölt termékek megfelelnek a következő európai irányelvek előírásainak, valamint azok nemzeti jogrendbe átültetett rendelkezéseinek:</p> <p>Gépek 2006/42/EK ; Elektromágneses összeférhetőségre 2004/108/EK ; Energiával kapcsolatos termékek 2009/125/EK</p> <p>valamint az előző oldalon szereplő, harmonizált európai szabványoknak.</p>	<p align="center">(IT) - Italiano DICHIARAZIONE CE DI CONFORMITÀ</p> <p>WILO SE dichiara che i prodotti descritti nella presente dichiarazione sono conformi alle disposizioni delle seguenti direttive europee nonché alle legislazioni nazionali che le traspongono :</p> <p>Macchine 2006/42/CE ; Compatibilità Elettromagnetica 2004/108/CE ; Prodotti connessi all'energia 2009/125/CE</p> <p>E sono pure conformi alle disposizioni delle norme europee armonizzate citate a pagina precedente.</p>
<p align="center">(LT) - Lietuvių kalba EB ATITIKTIES DEKLARACIJA</p> <p>WILO SE pareiškia, kad šioje deklaracijoje nurodyti gaminiai atitinka šių Europos direktyvų ir jas perkeliančių nacionalinių įstatymų nuostatus:</p> <p>Mašinos 2006/42/EB ; Elektromagnetinis Suderinamumas 2004/108/EB ; Energija susijusiems gaminiams 2009/125/EB</p> <p>ir taip pat harmonizuotas Europas normas, kurios buvo cituotos ankstesniame puslapyje.</p>	<p align="center">(LV) - Latviešu valoda EK ATBILSTĪBAS DEKLARĀCIJU</p> <p>WILO SEdeklarē, ka izstrādājumi, kas ir nosaukti šajā deklarācijā, atbilst šeit uzskaitīto Eiropas direktīvu nosacījumiem, kā arī atsevišķu valstu likumiem, kuros tie ir ietverti:</p> <p>Mašīnas 2006/42/EK ; Elektromagnētiskās Saderības 2004/108/EK ; Enerģiju saistītiem ražojumiem 2009/125/EK</p> <p>un saskaņotajiem Eiropas standartiem, kas minēti iepriekšējā lappusē.</p>
<p align="center">(MT) - Malti DIKJARAZZJONI KE TA' KONFORMITÀ</p> <p>WILO SE jiddikjara li l-prodotti speċifikati f'id id-dikjarazzjoni huma konformi mad-direttivi Ewropej li jsegwu u mal-leġislażzjonijiet nazzjonali li japplikawhom:</p> <p>Makkinarju 2006/42/KE ; Kompatibilità Elettromanjetika 2004/108/KE ; Prodotti relatati mal-enerġija 2009/125/KE</p> <p>kif ukoll man-normi Ewropej armonizzati li jsegwu imsemmija fil-paġna preċedenti.</p>	<p align="center">(NL) - Nederlands EG-VERKLARING VAN OVEREENSTEMMING</p> <p>WILO SE verklaart dat de in deze verklaring vermelde producten voldoen aan de bepalingen van de volgende Europese richtlijnen evenals aan de nationale wetgevingen waarin deze bepalingen zijn overgenomen:</p> <p>Machines 2006/42/EG ; Elektromagnetische Compatibiliteit 2004/108/EG ; Energiegerelateerde producten 2009/125/EG</p> <p>De producten voldoen eveneens aan de geharmoniseerde Europese normen die op de vorige pagina worden genoemd.</p>

<p align="center">(NO) - Norsk EU-OVERENSSTEMMELSESERKLÆING</p> <p>WILO SE erklærer at produktene nevnt i denne erklæringen er i samsvar med følgende europeiske direktiver og nasjonale lover:</p> <p>EG-Maskindirektiv 2006/42/EG ; EG-EMV-Elektromagnetisk kompatibilitet 2004/108/EG ; Direktiv energirelaterte produkter 2009/125/EF</p> <p>og harmoniserte europeiske standarder nevnt på forrige side.</p>	<p align="center">(PL) - Polski DEKLARACJA ZGODNOŚCI WE</p> <p>WILO SE oświadcza, że produkty wymienione w niniejszej deklaracji są zgodne z postanowieniami następujących dyrektyw europejskich i transponującymi je przepisami prawa krajowego:</p> <p>Maszyn 2006/42/WE ; Kompatybilności Elektromagnetycznej 2004/108/WE ; Produktów związanych z energią 2009/125/WE</p> <p>oraz z następującymi normami europejskich zharmonizowanymi podanymi na poprzedniej stronie.</p>
<p align="center">(PT) - Português DECLARAÇÃO CE DE CONFORMIDADE</p> <p>WILO SE declara que os materiais designados na presente declaração obedecem às disposições das directivas europeias e às legislações nacionais que as transcrevem :</p> <p>Máquinas 2006/42/CE ; Compatibilidade Electromagnética 2004/108/CE ; Produtos relacionados com o consumo de energia 2009/125/CE</p> <p>E obedecem também às normas europeias harmonizadas citadas na página precedente.</p>	<p align="center">(RO) - Română DECLARAȚIE DE CONFORMITATE CE</p> <p>WILO SE declară că produsele citate în prezenta declarație sunt conforme cu dispozițiile directivelor europene următoare și cu legislațiile naționale care le transpun :</p> <p>Mașini 2006/42/CE ; Compatibilitate Electromagnetică 2004/108/CE ; Produsele cu impact energetic 2009/125/CE</p> <p>și, de asemenea, sunt conforme cu normele europene armonizate citate în pagina precedentă.</p>
<p align="center">(RU) - русский язык Декларация о соответствии Европейским нормам</p> <p>WILO SE заявляет, что продукты, перечисленные в данной декларации о соответствии, отвечают следующим европейским директивам и национальным предписаниям:</p> <p>Директива ЕС по машинному оборудованию 2006/42/ЕС ; Директива ЕС по электромагнитной совместимости 2004/108/ЕС ; Директива о продукции, связанной с энергопотреблением 2009/125/ЕС</p> <p>и гармонизированным европейским стандартам, упомянутым на предыдущей странице.</p>	<p align="center">(SK) - Slovenčina ES VYHLÁSENIE O ZHODE</p> <p>WILO SE čestne prehlasuje, že výrobky ktoré sú predmetom tejto deklarácie, sú v súlade s požiadavkami nasledujúcich európskych direktív a odpovedajúcich národných legislatívnych predpisov:</p> <p>Strojových zariadeniach 2006/42/ES ; Elektromagnetickú Kompatibilitu 2004/108/ES ; Energeticky významných výrobkov 2009/125/ES</p> <p>ako aj s harmonizovanými európskych normami uvedenými na predchádzajúcej strane.</p>
<p align="center">(SL) - Slovenščina ES-IZJAVA O SKLADNOSTI</p> <p>WILO SE izjavlja, da so izdelki, navedeni v tej izjavi, v skladu z določili naslednjih evropskih direktiv in z nacionalnimi zakonodajami, ki jih vsebujejo:</p> <p>Stroji 2006/42/ES ; Elektromagnetno Združljivostjo 2004/108/ES ; Izdelkov, povezanih z energijo 2009/125/ES</p> <p>pa tudi z usklajenimi evropskih standardi, navedenimi na prejšnji strani.</p>	<p align="center">(SV) - Svenska EG-FÖRSÄKRAN OM ÖVERENSSTÄMMELSE</p> <p>WILO SE intygar att materialet som beskrivs i följande intyg överensstämmer med bestämmelserna i följande europeiska direktiv och nationella lagstiftningar som inför dem:</p> <p>Maskiner 2006/42/EG ; Elektromagnetisk Kompatibilitet 2004/108/EG ; Energirelaterade produkter 2009/125/EG</p> <p>Det överensstämmer även med följande harmoniserade europeiska standarder som nämnts på den föregående sidan.</p>
<p align="center">(TR) - Türkçe CE UYGUNLUK TEYİD BELGESİ</p> <p>WILO SEbu belgede belirtilen ürünlerin aşağıdaki Avrupa yönetmeliklerine ve ulusal kanunlara uygun olduğunu beyan etmektedir:</p> <p>Makine Yönetmeliği 2006/42/AT ; Elektromanyetik Uyumluluk Yönetmeliği 2004/108/AT ; Eko Tasarım Yönetmeliği 2009/125/AT</p> <p>ve önceki sayfada belirtilen uyumlaştırılmış Avrupa standartlarına.</p>	

Wilo – International (Subsidiaries)

Argentina

WILO SALMSON
Argentina S.A.
C1295ABI Ciudad
Autónoma de Buenos Aires
T + 54 11 4361 5929
info@salmson.com.ar

Australia

WILO Australia Pty Limited
Murrarie, Queensland,
4172
T + 61 7 3907 6900
chris.dayton@wilo.com.au

Austria

WILO Pumpen
Österreich GmbH
2351 Wiener Neudorf
T + 43 507 507-0
office@wilo.at

Azerbaijan

WILO Caspian LLC
1014 Baku
T + 994 12 5962372
info@wilo.az

Belarus

WILO Bel OOO
220035 Minsk
T + 375 17 2535363
wilo@wilo.by

Belgium

WILO SA/NV
1083 Ganshoren
T + 32 2 4823333
info@wilo.be

Bulgaria

WILO Bulgaria Ltd.
1125 Sofia
T + 359 2 9701970
info@wilo.bg

Brazil

WILO Brasil Ltda
Jundiaí – São Paulo – Brasil
ZIP Code: 13.213-105
T + 55 11 2923 (WILO) 9456
wilo@wilo-brasil.com.br

Canada

WILO Canada Inc.
Calgary, Alberta T2A 5L4
T + 1 403 2769456
bill.lowe@wilo-na.com

China

WILO China Ltd.
101300 Beijing
T + 86 10 58041888
wilobj@wilo.com.cn

Croatia

Wilo Hrvatska d.o.o.
10430 Samobor
T + 38 51 3430914
wilo-hrvatska@wilo.hr

Czech Republic

WILO CS, s.r.o.
25101 Cestlice
T + 420 234 098711
info@wilo.cz

Denmark

WILO Danmark A/S
2690 Karlslunde
T + 45 70 253312
wilo@wilo.dk

Estonia

WILO Eesti OÜ
12618 Tallinn
T + 372 6 509780
info@wilo.ee

Finland

WILO Finland OY
02330 Espoo
T + 358 207401540
wilo@wilo.fi

France

WILO S.A.S.
78390 Bois d'Arcy
T + 33 1 30050930
info@wilo.fr

Great Britain

WILO (U.K.) Ltd.
Burton Upon Trent
DE14 2WJ
T + 44 1283 523000
sales@wilo.co.uk

Greece

WILO Hellas AG
14569 Anixi (Attika)
T + 302 10 6248300
wilo.info@wilo.gr

Hungary

WILO Magyarország Kft
2045 Törökbálint
(Budapest)
T + 36 23 889500
wilo@wilo.hu

India

WILO India Mather and Platt
Pumps Ltd.
Pune 411019
T + 91 20 27442100
services@matherplatt.com

Indonesia

WILO Pumps Indonesia
Jakarta Selatan 12140
T + 62 21 7247676
citrawilo@cbn.net.id

Ireland

WILO Ireland
Limerick
T + 353 61 227566
sales@wilo.ie

Italy

WILO Italia s.r.l.
20068 Peschiera Borromeo
(Milano)
T + 39 25538351
wilo.italia@wilo.it

Kazakhstan

WILO Central Asia
050002 Almaty
T + 7 727 2785961
info@wilo.kz

Korea

WILO Pumps Ltd.
618-220 Gangseo, Busan
T + 82 51 950 8000
wilo@wilo.co.kr

Latvia

WILO Baltic SIA
1019 Riga
T + 371 6714-5229
info@wilo.lv

Lebanon

WILO LEBANON SARL
Jdeideh 1202 2030
Lebanon
T + 961 1 888910
info@wilo.com.lb

Lithuania

WILO Lietuva UAB
03202 Vilnius
T + 370 5 2136495
mail@wilo.lt

Morocco

WILO MAROC SARL
20600 CASABLANCA
T + 212 (0) 5 22 66 09
24/28
contact@wilo.ma

The Netherlands

WILO Nederland b.v.
1551 NA Westzaan
T + 31 88 9456 000
info@wilo.nl

Norway

WILO Norge AS
0975 Oslo
T + 47 22 804570
wilo@wilo.no

Poland

WILO Polska Sp. z o.o.
05-506 Lesznowola
T + 48 22 7026161
wilo@wilo.pl

Portugal

Bombas Wilo-Salmson
Portugal Lda.
4050-040 Porto
T + 351 22 2080350
bombas@wilo.pt

Romania

WILO Romania s.r.l.
077040 Com. Chiajna
Jud. Ilfov
T + 40 21 3170164
wilo@wilo.ro

Russia

WILO Rus ooo
123592 Moscow
T + 7 495 7810690
wilo@wilo.ru

Saudi Arabia

WILO ME – Riyadh
Riyadh 11465
T + 966 1 4624430
wshoula@wataniaind.com

Serbia and Montenegro

WILO Beograd d.o.o.
11000 Beograd
T + 381 11 2851278
office@wilo.rs

Slovakia

WILO CS s.r.o., org. Zložka
83106 Bratislava
T + 421 2 33014511
info@wilo.sk

Slovenia

WILO Adriatic d.o.o.
1000 Ljubljana
T + 386 1 5838130
wilo.adriatic@wilo.si

South Africa

Salmson South Africa
1610 Edenvale
T + 27 11 6082780
errol.cornelius@
salmson.co.za

Spain

WILO Ibérica S.A.
28806 Alcalá de Henares
(Madrid)
T + 34 91 8797100
wilo.iberica@wilo.es

Sweden

WILO Sverige AB
35246 Växjö
T + 46 470 727600
wilo@wilo.se

Switzerland

EMB Pumpen AG
4310 Rheinfelden
T + 41 61 83680-20
info@emb-pumpen.ch

Taiwan

WILO Taiwan Company Ltd.
San-chong Dist., New Taipei
City 24159
T + 886 2 2999 8676
nelson.wu@wilo.com.tw

Turkey

WILO Pompa Sistemleri
San. ve Tic. A.Ş.,
34956 İstanbul
T + 90 216 2509400
wilo@wilo.com.tr

Ukraine

WILO Ukraina t.o.w.
01033 Kiev
T + 38 044 2011870
wilo@wilo.ua

United Arab Emirates

WILO Middle East FZE
Jebel Ali Free Zone-South
PO Box 262720 Dubai
T + 971 4 880 91 77
info@wilo.ae

USA

WILO USA LLC
Rosemont, IL 60018
T + 1 866 945 6872
info@wilo-usa.com

Vietnam

WILO Vietnam Co Ltd.
Ho Chi Minh City, Vietnam
T + 84 8 38109975
nkminh@wilo.vn

wilo

Pioneering for You

WILO SE
Nortkirchenstraße 100
D-44263 Dortmund
Germany
T +49(0)231 4102-0
F +49(0)231 4102-7363
wilo@wilo.com
www.wilo.com