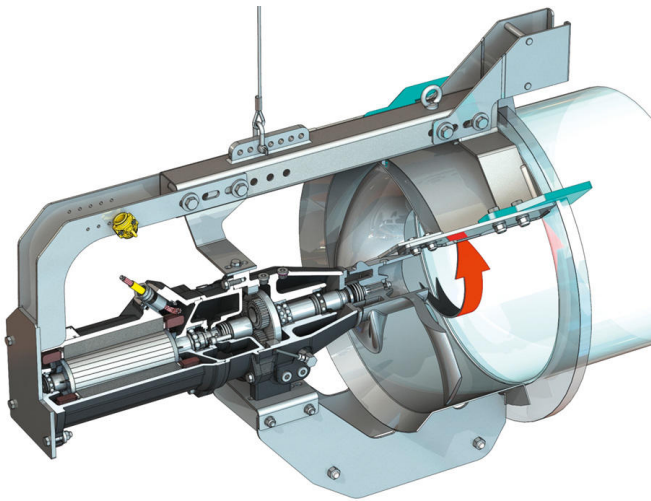


Pioneering for You

## Recirculation pump

### Flumen EXCEL-RZPE 60-4.28-4/16



#### Unit

Max. weight* <i>m</i>	474.0 lb
Explosion protection ATEX	optional
Explosion protection FM	optional
Protection class motor	IP68

#### Propeller

Propeller model	3-blade propeller with self-cleaning hub; clogging- and entwining-free
Nominal propeller diameter <i>D<sub>nom</sub></i>	23.6 in (*)
Propeller speed <i>n</i>	284 RPM
Transmission ratio	6.200

#### Filling quantities and types

Filling prechamber	Gear oil CLP220
Filling volume prechamber <i>V</i>	0.3 US gal
Filling gear chamber	Gear oil CLP220
Fill volume gear chamber <i>V</i>	0.1 US gal
Filling sealing chamber	White oil
Fill volume sealing chamber <i>V</i>	0.3 US gal

#### Motor/electronics

Motor type	TE 17-4/16R (Ex)
Motor design	Submersible motor – surface-cooled
Mains connection	3~460 V, 60 Hz
Rated current <i>I<sub>N</sub></i>	7.10 A
Starting current – direct <i>I<sub>A</sub></i>	60.00 A
Starting current – star-delta <i>I<sub>A</sub></i>	20.00 A
Power consumption <i>P<sub>2max</sub></i>	6.2 hp
Rated power <i>P<sub>2</sub></i>	5.4 hp
Speed original <i>n</i>	1747 RPM
Motor efficiency class	IE3
Efficiency $\eta_M$	87.3 %
Power factor $\cos \varphi_{100}$	0.81
Max. fluid temperature <i>T<sub>max</sub></i>	104 °F
Min. fluid temperature <i>T<sub>min</sub></i>	37 °F
Max. immersion depth	65.62 ft
Insulation class	H
Max. switching frequency <i>t</i>	15 rph
min. switching break <i>t</i>	3 min
Starting torque <i>M</i>	72.3 lbf ft
Moment of inertia	0.32 lb ft <sup>2</sup>
Motor bearings	2 grooved ball bearing

#### Materials

Motor housing	ASTM A48, Class No. 35
Static gaskets	FKM Fluoro rubber
Motor shaft	AISI 420
Seal, gear/sealing chamber	SiC/SiC, Q1Q1VGG
Gear housing	ASTM A48, Class No. 35
Planetary gear	AISI 5115
Hollow gear	Grade 60
Sun gear	AISI 5115
Output shaft	AISI 329
Seal, gear chamber/prechamber	FKM Fluoro rubber
Sealing chamber	ASTM A48, Class No. 35
Seal bushing	AISI 316Ti
Propeller	AISI 316
Flow housing	AISI 316Ti

#### Gear

Gear construction type	m 2.0 as per DIN 780-1:1977-05 /P10 (ISO54:1996-12); sun and planetary gears case hardened and sanded, internal gear butt-jointed
Gear bearings	Three needle roller bearing (planetary), one two-row inclined ball bearing and one grooved ball bearing (output shaft)
Service life <i>L<sub>n20</sub></i>	100,000 operating hours, ISO 281:2007-02

\*maximum weight including accessories