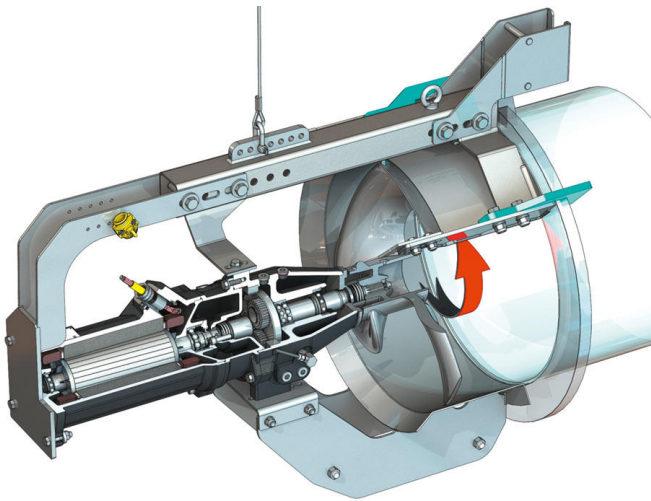


Pioneering for You

wilo

## Recirculation pump

### Flumen EXCEL-RZPE 60-4.30-4/16



#### Unit

Max. weight* <i>m</i>	215 kg
Explosion protection ATEX	optional
Explosion protection FM	optional
Protection class motor	IP68

#### Propeller

Propeller model	3-blade propeller with self-cleaning hub; clogging- and entwining-free
Nominal propeller diameter <i>D<sub>nom</sub></i>	600 mm
Propeller speed <i>n</i>	297 1/min
Transmission ratio	4.900

#### Filling quantities and types

Filling prechamber	Gear oil CLP220
Filling volume prechamber <i>V</i>	1.20 l
Filling gear chamber	Gear oil CLP220
Fill volume gear chamber <i>V</i>	0.50 l
Filling sealing chamber	White oil
Fill volume sealing chamber <i>V</i>	1.10 l

#### Motor/electronics

Motor type	TE 17-4/16R (Ex)
Motor design	Submersible motor – surface-cooled
Mains connection	3~400 V, 50 Hz
Rated current <i>I<sub>N</sub></i>	7.30 A
Starting current – direct <i>I<sub>A</sub></i>	68.00 A
Starting current – star-delta <i>I<sub>A</sub></i>	23.00 A
Power consumption <i>P<sub>2,max</sub></i>	4.10 kW
Rated power <i>P<sub>2</sub></i>	3.45 kW
Speed original <i>n</i>	1448 1/min
Motor efficiency class	IE3
Efficiency $\eta_M$	84.7 %
Power factor $\cos \varphi_{100}$	0.81
Min. fluid temperature <i>T<sub>min</sub></i>	3 °C
Max. fluid temperature <i>T<sub>max</sub></i>	40 °C
Max. immersion depth	20 m
Insulation class	H
Max. switching frequency <i>t</i>	15 rph
min. switching break <i>t</i>	3 min
Starting torque <i>M</i>	98 Nm
Moment of inertia	0.0134 kg/m <sup>2</sup>
Motor bearings	2 grooved ball bearing

#### Materials

Motor housing	5.1301, EN-GJL-250
Static gaskets	FKM
Motor shaft	1.4021, X20Cr13
Seal, gear/sealing chamber	SiC/SiC, Q1Q1VGG
Gear housing	5.1301, EN-GJL-250
Planetary gear	1.7131, 16MnCr5
Hollow gear	1.5216, 17MnV6
Sun gear	1.7131, 16MnCr5
Output shaft	1.4462, X2CrNiMoN22-5-3
Seal, gear chamber/prechamber	FKM
Sealing chamber	5.1301, EN-GJL-250
Seal on the fluid side	SiC/SiC, Q1Q1VGG
Seal bushing	1.4571, X6CrNiMoTi17-12-2
Propeller	1.4408, GX5CrNiMo19-11-2
Flow housing	1.4571, X6CrNiMoTi17-12-2

#### Gear

Gear construction type	m 2.0 as per DIN 780-1:1977-05 /P10 (ISO54:1996-12); sun and planetary gears case hardened and sanded, internal gear butt-jointed
Gear bearings	Three needle roller bearing (planetary), one two-row inclined ball bearing and one grooved ball bearing (output shaft)
Service life <i>L<sub>h20</sub></i>	100,000 operating hours, ISO 281:2007-02

\*maximum weight including accessories

Subject to change without prior notice.