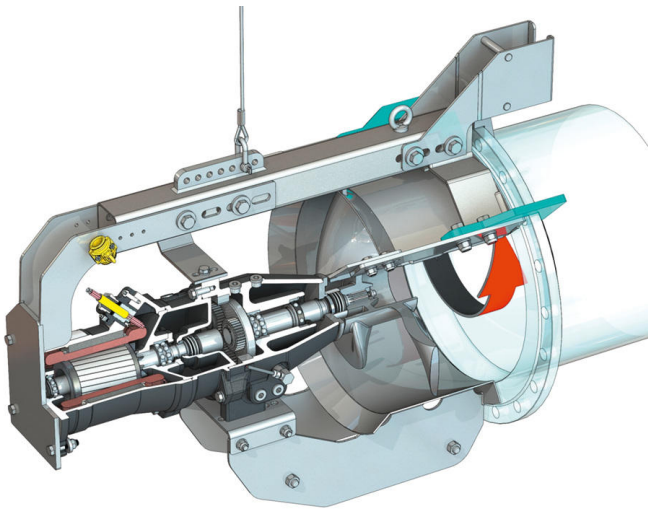


Pioneering for You

Recirculation pump

Flumen OPTI-RZP 50-4.37-4/8



Unit

Max. weight* m	396.8 lb
Explosion protection ATEX	optional
Explosion protection FM	optional
Protection class motor	IP68

Propeller

Propeller model	3-blade propeller with self-cleaning hub; clogging- and entwining-free
Nominal propeller diameter D_{nom}	19.7 in (*)
Propeller speed n	365 RPM
Transmission ratio	4.714

Filling quantities and types

Filling prechamber	Gear oil CLP220
Filling volume prechamber V	0.3 US gal
Filling gear chamber	Gear oil CLP220
Fill volume gear chamber V	0.1 US gal
Filling sealing chamber	White oil
Fill volume sealing chamber V	0.3 US gal

Motor/electronics

Motor type	T 17-4/8R (Ex)
Motor design	Submersible motor – surface-cooled
Mains connection	3~460 V, 60 Hz
Rated current I_N	8.00 A
Starting current – direct I_A	33.00 A
Starting current – star-delta I_A	11.00 A
Power consumption $P_{2,max}$	7.2 hp
Rated power P_2	5.6 hp
Speed original n	1690 RPM
Motor efficiency class	–
Efficiency η_M	79.0 %
Power factor $\cos \varphi_{100}$	0.84
Max. fluid temperature T_{max}	104 °F
Min. fluid temperature T_{min}	37 °F
Max. immersion depth	65.62 ft
Insulation class	H
Max. switching frequency t	15 rph
min. switching break t	3 min
Starting torque M	31.0 lbf ft
Moment of inertia	0.17 lb ft ²
Motor bearings	1 grooved ball bearing, 1 two-row inclined ball bearing

Materials

Motor housing	ASTM A48, Class No. 35
Static gaskets	FKM Fluoro rubber
Motor shaft	AISI 420
Seal, gear/sealing chamber	SiC/SiC, Q1Q1VGG
Gear housing	ASTM A48, Class No. 35
Planetary gear	AISI 5115
Hollow gear	Grade 60
Sun gear	AISI 5115
Output shaft	AISI 329
Seal, gear chamber/prechamber	FKM Fluoro rubber
Sealing chamber	ASTM A48, Class No. 35
Seal bushing	AISI 316Ti
Propeller	AISI 316
Flow housing	AISI 316Ti

Gear

Gear construction type	m 2.0 as per DIN 780-1:1977-05 /P10 (ISO54:1996-12); sun and planetary gears case hardened and sanded, internal gear butt-jointed
Gear bearings	Three needle roller bearing (planetary), one two-row inclined ball bearing and one grooved ball bearing (output shaft)
Service life L_{h20}	100,000 operating hours, ISO 281:2007-02

*maximum weight including accessories