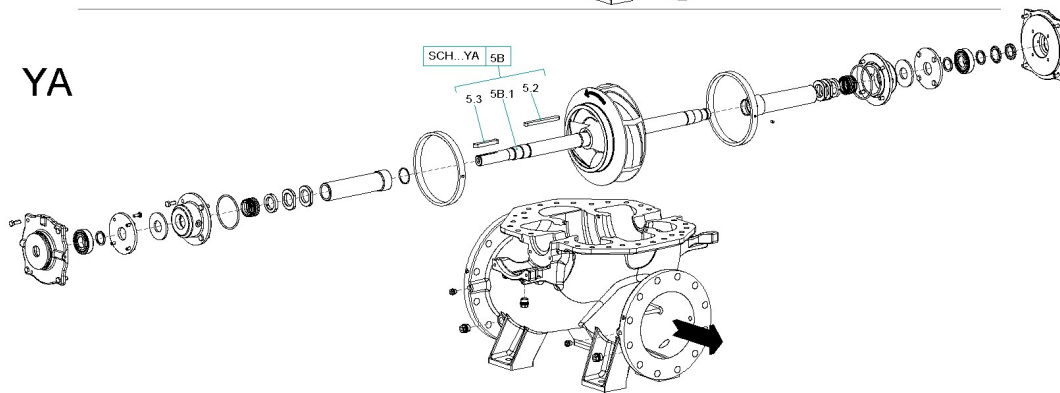
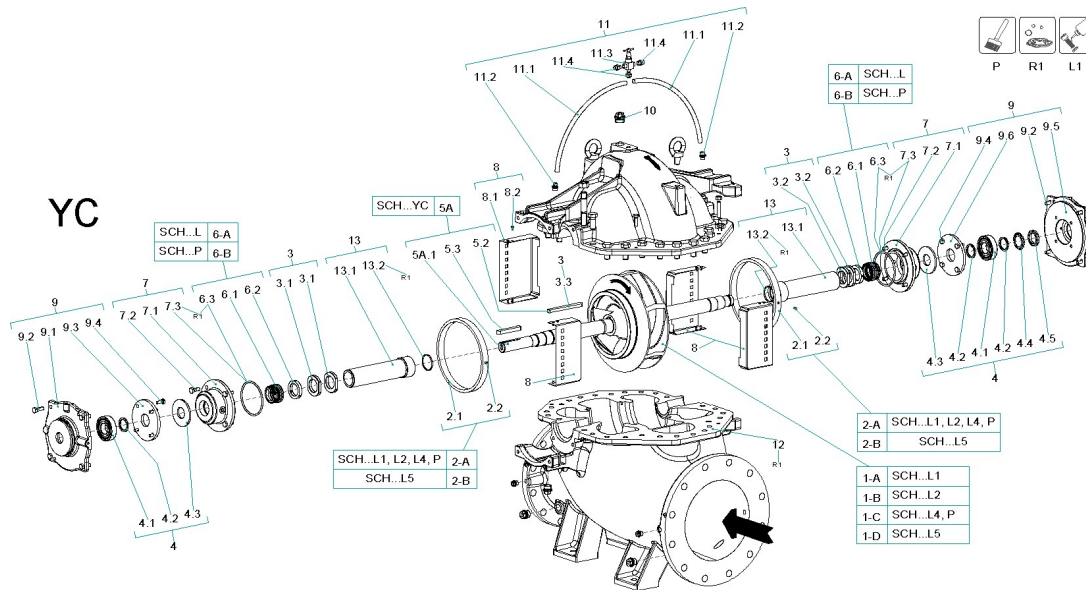


# Wilo-Atmos TERA-SCH-HE- 10x6x21

Replacement Part Kits



# SCH-HE-10X6X21- Mechanical Seal with Sleeve



NOTE: This model is also identified as Atmos TERA SCH-I150/560 when sold internationally by WILO<sup>1</sup>

<sup>1</sup> YC denotes "Clockwise" shaft rotation and YA denotes "Anti-clockwise" shaft rotation.  
Page 2 / 13

**SCH-HE-10X6X21- Mechanical Seal with Sleeve**

| Item   | Article no. | Description                               | Quantity |
|--|-------------|---|----------|
| P  | 6042254     | PAINT SPRAY Pantone334                    | 1        |
| LI   | 2096167     | Loctite 243 50ml VP.                      | 1        |
| <b>For Replacement Part Kits please see page 5</b> |             |   |          |
| I-A  |             | on request                                | 1        |
| I-B  |             | on request                                | 1        |
| I-C  | 6221528     | Impeller SCH150/560 L4/P VP.              | 1        |
| I-D  |             | on request                                | 1        |
| 2-A  | 6221462     | Wear ring ID.231 SCH LI, L2, L4, P. SET   | 1        |
| 2.1  |             | > WEAR RING 231/251x17.5 CuSn10-C FIN SCH | 2        |
| 2.2  |             | > Pin GB/T 119.1 8p6x10 C0.5-304          | 4        |
| 2-B  | 6221463     | Wear ring ID.231 SCH L5 SET               | 1        |
| 2.1  |             | > WEAR RING 231/251x17.5 LTB-5 FIN SCH    | 2        |
| 2.2  |             | > Pin GB/T 119.1 8p6x10 C0.5-304          | 4        |
| 3  | 6221023     | impeller fixation M70 SCH S17, S20 KIT    | 1        |
| 3.2  |             | > SLEEVE NUT M70X2 RH SS410 SCH           | 2        |
| 3.1  |             | > SLEEVE NUT M70X2 LH SS410 SCH           | 2        |
| 3.3  |             | > IMPELLER KEY 20X12X265 DIN 6885-1-304   | 1        |
| 3.3  |             | > IMPELLER KEY 20X12X205 DIN 6885-1-304   | 1        |
| 4  | 6221038     | ball bearings SCH GR4 KIT                 | 1        |
| 4.1  |             | > ball bearing                            | 2        |
| 4.2  |             | > SUPPORTING RING GR4 SS410 SCH           | 3        |
| 4.3  |             | > WATER THROWER GR4 EPDM SCH              | 2        |
| 4.4  |             | > LOCK WASHER MB 12 SS SKF                | 1        |
| 4.5  |             | > LOCK NUT KM 12 SS SKF                   | 1        |
| 5A   | 6221122     | pump shaft D.75 SCH YC S17/S20 KIT        | 1        |
| 5A.1   |             | > SHAFT D.75x1199 4A IND SS410 YC SCH     | 1        |
| 5.2  |             | > IMPELLER KEY 20X12X205 DIN 6885-1-304   | 1        |
| 5.3  |             | > COUPLING KEY 18X11X110 DIN 6885-1-C45   | 1        |
| 5B   | 6221123     | pump shaft D.75 SCH YA S17/S20 KIT        | 1        |
| 5B.1   |             | > SHAFT D.75x1199 4A IND SS410 YA SCH     | 1        |
| 5.2  |             | > IMPELLER KEY 20X12X205 DIN 6885-1-304   | 1        |
| 5.3  |             | > COUPLING KEY 18X11X110 DIN 6885-1-C45   | 1        |

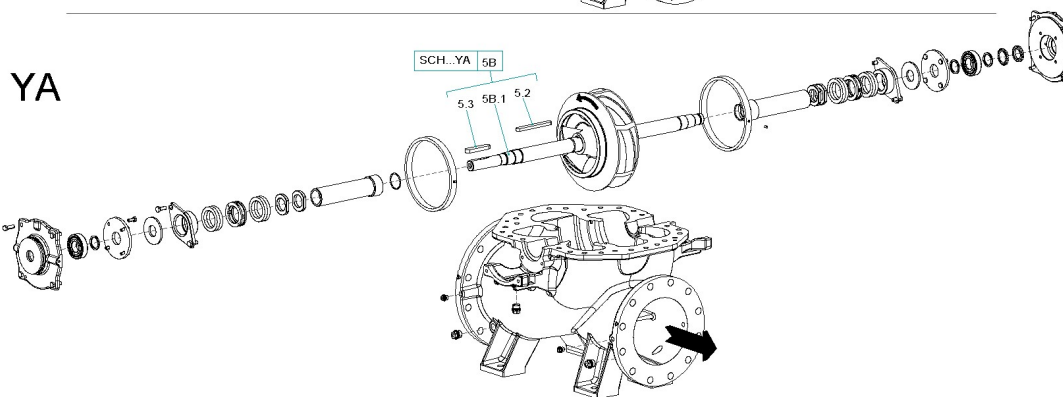
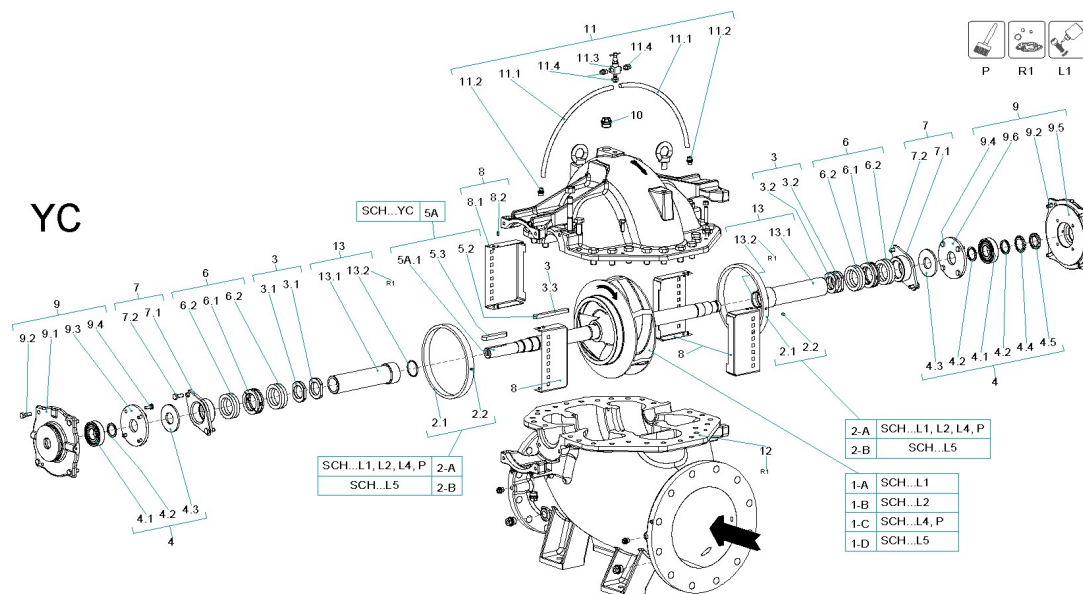
**SCH-HE-10X6X21- Mechanical Seal with Sleeve**

| Item | Article no. | Description                                | Quantity |
|------|-------------|--|----------|
| 6-A  | 6221036     | mech. seal D.85 SCH KIT                    | 1        |
| 6.1  |             | > mechanical seal                          | 2        |
| 6.2  |             | > ABUTMENT RING ID85 X OD113               | 2        |
| 6.3  |             | > O RING ID145.42*5.33EPDM GB3452.1 HD80±5 | 2        |
| 6.3  |             | > O RING ID 160X5.5 EPDM GB3452.1 HD80±5   | 2        |
| 6-B  |             | on request                                 | 1        |
| 7    | 6221041     | mech. seal casing 85 SCH GR4 KIT           | 1        |
| 7.1  |             | > MS COVER GR4 GG FIN 85 SCH               | 2        |
| 7.2  |             | > screw M16x40 ISO4017 A2-70               | 8        |
| 7.3  |             | > O RING ID145.42*5.33EPDM GB3452.1 HD80±5 | 2        |
| 8    | 6221124     | protective grid H.280x175 SCH KIT          | 1        |
| 8.1  |             | > SEAL HOUSING GUARD 280x175x65 I.4016 SCH | 4        |
| 8.2  |             | > screw M5x10 DIN912 A4                    | 16       |
| 9    | 6221043     | bearing housing SCH GR2.2 KIT              | 1        |
| 9.2  |             | > screw M16x40 ISO4017 A2-70               | 8        |
| 9.1  |             | > BEARING HOUSING BH-GR2.2 GG FIN DE SCH   | 1        |
| 9.3  |             | > BEARING COVER BC-GR2.2 GG FIN DE SCH     | 1        |
| 9.4  |             | > M12-1.75 x 35mm DIN 933 A4 SS HEX SCREW  | 8        |
| 9.5  |             | > BEARING HOUSING BH-GR2.2 GG FIN NDE SCH  | 1        |
| 9.6  |             | > BEARING COVER BC-GR2.2 GG FIN NDE SCH    | 1        |
| 10   | 6220980     | air vent valve VP.                         | 1        |
| 11   | 6221053     | flushing hose L.600 SCH KIT                | 1        |
| 11.1 |             | > HOSEPIPE + gasket PN2.5 G3/8 L600-304    | 2        |
| 11.2 |             | > M Reducer union GB/T14626 G1/4-G3/8 -304 | 2        |
| 11.3 |             | > F WAY Sch160 R3/8 GB/T14626-93-304       | 1        |
| 11.4 |             | > Male Nipple 0.375(3/8) IN-304            | 3        |
| 12   | 8077866     | gasket paper                               | 1        |
| 13   | 6221113     | shaft sleeve ID.74 SCH 4A KIT              | 1        |
| 13.1 |             | > SLEEVE 85x74x309 4A SS410 SCH            | 2        |
| 13.2 |             | > O RING 74x3.55 CS EPDM HD 80±5A          | 2        |

| <b>(6221021) R1- REPLACEMENT PART KIT 1</b> |                    |   |                 |
|---|--------------------|---|-----------------|
| <b>Item</b>                                 | <b>Article no.</b> | <b>Description</b>                        | <b>Quantity</b> |
| 6.3   | 8230447            | O RING ID 145.42x5.33 CS EPDM HD 80+-5    | 2               |
| 12  | 8077866            | Gasket Paper ( <i>dimensions to add</i> ) | 1               |
| 13.2  | 8230570            | O RING 74x3.55 CS EPDM HD 80±5A           | 2               |

| <b>(XXXXXXX) R2- REPLACEMENT PART KIT 2</b> |                    |   |                 |
|---|--------------------|---|-----------------|
| <b>Item</b>                                 | <b>Article no.</b> | <b>Description</b>                        | <b>Quantity</b> |
| 6.3   | 8230447            | O RING ID 145.42x5.33 CS EPDM HD 80+-5    | 2               |
| 12  | 8077866            | Gasket Paper ( <i>dimensions to add</i> ) | 1               |
| 13.2  | 8230570            | O RING 74x3.55 CS EPDM HD 80±5A           | 2               |
| 6-A   | 6221036            | mech. seal D.85 SCH KIT                   | 2               |
| 4   | 6221038            | ball bearings SCH GR4 KIT                 | 2               |
| 4.3   | 7148356874         | WATER THROWER GR4 EPDM SCH                | 2               |

| <b>(XXXXXXX) R3- REPLACEMENT PART KIT 3</b> |                          |  |                 |
|---|--------------------------|--|-----------------|
| <b>Item</b>                                 | <b>Article no.</b>       | <b>Description</b>   | <b>Quantity</b> |
| 2A<br>or<br>2B                              | 6221462<br>or<br>6221463 | Wear ring ID.231 SCH L1, L2, L4, P. SET<br>or<br>Wear ring ID.231 SCH L5 SET   | 2               |
| 5A<br>or<br>5B                              | 6221122<br>or<br>6221123 | pump shaft D.75 SCH YC S17/S20 KIT<br>or<br>pump shaft D.75 SCH YA S17/S20 KIT | 2               |
| 13  | 6221113                  | shaft sleeve ID.74 SCH 4A KIT  | 2               |



NOTE: This model is also identified as Atmos TERA SCH-I 50/560 when sold internationally by WILO<sup>2</sup>

<sup>2</sup> YC denotes “Clockwise” shaft rotation and YA denotes “Anti-clockwise” shaft rotation.  
Page 6 / 13

**SCH-HE-10X6X21- Gland Packed with Sleeve**

| Item   | Article no. | Description                               | Quantity |
|--|-------------|---|----------|
| P  | 6042254     | PAINT SPRAY Pantone334                    | 1        |
| LI   | 2096167     | Loctite 243 50ml VP.                      | 1        |
| <b>For Replacement Part Kits please see page 9</b> |             |   |          |
| I-A  |             | on request                                | 1        |
| I-B  |             | on request                                | 1        |
| I-C  | 6221528     | Impeller SCH150/560 L4/P VP.              | 1        |
| I-D  |             | on request                                | 1        |
| 2-A  | 6221462     | Wear ring ID.231 SCH LI, L2, L4, P. SET   | 1        |
| 2.1  |             | > WEAR RING 231/251x17.5 CuSn10-C FIN SCH | 2        |
| 2.2  |             | > Pin GB/T 119.1 8p6x10 C0.5-304          | 4        |
| 2-B  | 6221463     | Wear ring ID.231 SCH L5 SET               | 1        |
| 2.1  |             | > WEAR RING 231/251x17.5 LTB-5 FIN SCH    | 2        |
| 2.2  |             | > Pin GB/T 119.1 8p6x10 C0.5-304          | 4        |
| 3  | 6221023     | impeller fixation M70 SCH S17, S20 KIT    | 1        |
| 3.2  |             | > SLEEVE NUT M70X2 RH SS410 SCH           | 2        |
| 3.1  |             | > SLEEVE NUT M70X2 LH SS410 SCH           | 2        |
| 3.3  |             | > IMPELLER KEY 20X12X265 DIN 6885-1-304   | 1        |
| Note: SCH 250/470, 250/380, 300/430, 350/500       |             |   |          |
| 3.3  |             | > IMPELLER KEY 20X12X205 DIN 6885-1-304   | 1        |
| Note: SCH200/500, 150/560, 150/590, 150/540        |             |   |          |
| 4  | 6221038     | ball bearings SCH GR4 KIT                 | 1        |
| 4.1  |             | > ball bearing                            | 2        |
| 4.2  |             | > SUPPORTING RING GR4 SS410 SCH           | 3        |
| 4.3  |             | > WATER THROWER GR4 EPDM SCH              | 2        |
| 4.4  |             | > LOCK WASHER MB 12 SS SKF                | 1        |
| 4.5  |             | > LOCK NUT KM 12 SS SKF                   | 1        |
| 5A   | 6221122     | pump shaft D.75 SCH YC S17/S20 KIT        | 1        |
| 5A.1   |             | > SHAFT D.75x1199 4A IND SS410 YC SCH     | 1        |
| 5.2  |             | > IMPELLER KEY 20X12X205 DIN 6885-1-304   | 1        |
| 5.3  |             | > COUPLING KEY 18X11X110 DIN 6885-1-C45   | 1        |
| 5B   | 6221123     | pump shaft D.75 SCH YA S17/S20 KIT        | 1        |
| 5B.1   |             | > SHAFT D.75x1199 4A IND SS410 YA SCH     | 1        |
| 5.2  |             | > IMPELLER KEY 20X12X205 DIN 6885-1-304   | 1        |
| 5.3  |             | > COUPLING KEY 18X11X110 DIN 6885-1-C45   | 1        |

**SCH-HE-10X6X21- Gland Packed with Sleeve**

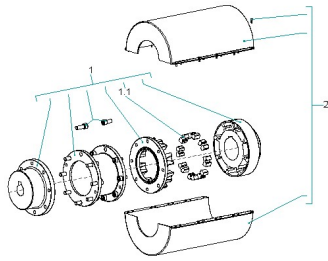
| Item | Article no. | Description                                | Quantity |
|------|-------------|--|----------|
| 6    | 6221037     | gland packing 16mm SCH GR4 KIT             | 1        |
| 6.1  |             | > LOGGING RING GR4 GFN SCH                 | 2        |
| 6.2  |             | > GLAND PACKING DE 16 BURAFLOX 5846        |          |
| 7    | 6221039     | gland cover SCH GR4 KIT                    | 1        |
| 7.1  |             | > GLAND COVER GR4 GG SCH                   | 2        |
| 7.2  |             | > screw M16x65 ISO4017 A2-70               | 4        |
| 8    | 6221124     | protective grid H.280x175 SCH KIT          | 1        |
| 8.1  |             | > SEAL HOUSING GUARD 280x175x65 1.4016 SCH | 4        |
| 8.2  |             | > screw M5x10 DIN912 A4                    | 16       |
| 9    | 6221043     | bearing housing SCH GR2.2 KIT              | 1        |
| 9.2  |             | > screw M16x40 ISO4017 A2-70               | 8        |
| 9.1  |             | > BEARING HOUSING BH-GR2.2 GG FIN DE SCH   | 1        |
| 9.3  |             | > BEARING COVER BC-GR2.2 GG FIN DE SCH     | 1        |
| 9.4  |             | > M12-1.75 x 35mm DIN 933 A4 SS HEX SCREW  | 8        |
| 9.5  |             | > BEARING HOUSING BH-GR2.2 GG FIN NDE SCH  | 1        |
| 9.6  |             | > BEARING COVER BC-GR2.2 GG FIN NDE SCH    | 1        |
| 10   | 6220980     | air vent valve VP.                         | 1        |
| 11   | 6221053     | flushing hose L.600 SCH KIT                | 1        |
| 11.1 |             | > HOSEPIPE + gasket PN2.5 G3/8 L600-304    | 2        |
| 11.2 |             | > M Reducer union GB/T14626 G1/4-G3/8 -304 | 2        |
| 11.3 |             | > F WAY Sch160 R3/8 GB/T14626-93-304       | 1        |
| 11.4 |             | > Male Nipple 0.375(3/8) IN-304            | 3        |
| 12   |             | gasket paper                               |          |
| 13   | 6221113     | shaft sleeve ID.74 SCH 4A KIT              | 1        |
| 13.1 |             | > SLEEVE 85x74x309 4A SS410 SCH            | 2        |
| 13.2 |             | > O RING 74x3.55 CS EPDM HD 80±5A          | 2        |



| <b>(6221021) R1- REPLACEMENT PART KIT 1</b> |                    |   |                 |
|---|--------------------|---|-----------------|
| <b>Item</b>                                 | <b>Article no.</b> | <b>Description</b>                        | <b>Quantity</b> |
| 12  | 8077866            | Gasket Paper ( <i>dimensions to add</i> ) | 1               |
| 13.2  | 8230570            | O RING 74x3.55 CS EPDM HD 80±5A           | 2               |

| <b>(XXXXXXX) R2- REPLACEMENT PART KIT 2</b> |                    |   |                 |
|---|--------------------|---|-----------------|
| <b>Item</b>                                 | <b>Article no.</b> | <b>Description</b>                        | <b>Quantity</b> |
| 12  | 8077866            | Gasket Paper ( <i>dimensions to add</i> ) | 1               |
| 13.2  | 8230570            | O RING 74x3.55 CS EPDM HD 80±5A           | 2               |
| 6   | 6221037            | gland packing 16mm SCH GR4 KIT            | 2               |
| 4   | 6221038            | ball bearings SCH GR4 KIT                 | 2               |
| 4.3   | 7148356874         | WATER THROWER GR4 EPDM SCH                | 2               |

| <b>(XXXXXXX) R3- REPLACEMENT PART KIT 3</b> |                          |  |                 |
|---|--------------------------|--|-----------------|
| <b>Item</b>                                 | <b>Article no.</b>       | <b>Description</b>   | <b>Quantity</b> |
| 2A<br>or<br>2B                              | 6221462<br>or<br>6221463 | Wear ring ID.231 SCH L1, L2, L4, P. SET<br>or<br>Wear ring ID.231 SCH L5 SET   | 2               |
| 5A<br>or<br>5B                              | 6221122<br>or<br>6221123 | pump shaft D.75 SCH YC S17/S20 KIT<br>or<br>pump shaft D.75 SCH YA S17/S20 KIT | 2               |
| 13  | 6221113                  | shaft sleeve ID.74 SCH 4A KIT  | 2               |



|             |      | 1  | 1.1  | 2  |
|-------------|------|----|------|----|
| SCH 125-200 | 200L | 1A | 1.1A | 2A |
| SCH 125-200 | 225M | 1B | 1.1B | 2A |
| SCH 125-200 | 250M | 1C | 1.1B | 2A |
| SCH 150-200 | 200L | 1A | 1.1A | 2A |
| SCH 150-200 | 225M | 1B | 1.1B | 2A |
| SCH 150-200 | 250M | 1C | 1.1B | 2A |
| SCH 150-230 | 200L | 1A | 1.1A | 2A |
| SCH 150-230 | 225M | 1B | 1.1B | 2A |
| SCH 150-230 | 250M | 1C | 1.1B | 2A |
| SCH 150-230 | 280S | 1F | 1.1C | 2A |
| SCH 150-360 | 225S | 1E | 1.1B | 2B |
| SCH 150-360 | 225M | 1G | 1.1C | 2B |

|             |      | 1  | 1.1  | 2  |
|-------------|------|----|------|----|
| SCH 150-360 | 250M | 1H | 1.1C | 2B |
| SCH 150-360 | 280S | 1J | 1.1D | 2C |
| SCH 150-430 | 280S | 1J | 1.1D | 2C |
| SCH 150-430 | 280M | 1J | 1.1D | 2C |
| SCH 150-430 | 315S | 1K | 1.1E | 2C |
| SCH 150-430 | 315M | 1K | 1.1E | 2C |
| SCH 150-470 | 315S | 1S | 1.1E | 2D |
| SCH 150-470 | 315M | 1S | 1.1E | 2D |
| SCH 150-470 | 315L | 1S | 1.1E | 2D |
| SCH 150-530 | 315S | 1S | 1.1E | 2D |
| SCH 150-530 | 315M | 1S | 1.1E | 2D |
| SCH 150-530 | 315L | 1S | 1.1E | 2D |
| SCH 150-540 | 355M | 1R | 1.1F | 2D |
| SCH 150-540 | 355L | 1R | 1.1F | 2D |
| SCH 150-560 | 315L | 1Q | 1.1E | 2D |
| SCH 150-560 | 355M | 1R | 1.1F | 2D |
| SCH 150-560 | 355L | 1R | 1.1F | 2D |
| SCH 150-590 | 355L | 1R | 1.1F | 2D |
| SCH 200-320 | 200L | 1D | 1.1A | 2B |
| SCH 200-320 | 225S | 1E | 1.1B | 2B |
| SCH 200-320 | 225M | 1G | 1.1C | 2B |
| SCH 200-320 | 250M | 1H | 1.1C | 2B |
| SCH 200-320 | 280S | 1J | 1.1D | 2C |
| SCH 200-380 | 250M | 1H | 1.1C | 2B |
| SCH 200-380 | 280S | 1J | 1.1D | 2C |
| SCH 200-380 | 280M | 1J | 1.1D | 2C |
| SCH 200-380 | 315S | 1K | 1.1E | 2C |
| SCH 200-380 | 315M | 1K | 1.1E | 2C |

|             |      | 1  | 1.1  | 2  |
|-------------|------|----|------|----|
| SCH 200-420 | 280M | 1T | 1.1D | 2D |
| SCH 200-420 | 315S | 1S | 1.1E | 2D |
| SCH 200-420 | 315M | 1S | 1.1E | 2D |
| SCH 200-420 | 315L | 1S | 1.1E | 2D |
| SCH 200-500 | 315M | 1Q | 1.1E | 2D |
| SCH 200-500 | 315L | 1Q | 1.1E | 2D |
| SCH 200-500 | 355M | 1R | 1.1F | 2D |
| SCH 250-360 | 250M | 1H | 1.1C | 2B |
| SCH 250-360 | 280S | 1J | 1.1D | 2C |
| SCH 250-360 | 280M | 1J | 1.1D | 2C |
| SCH 250-360 | 315S | 1K | 1.1E | 2C |
| SCH 250-380 | 280M | 1P | 1.1D | 2D |
| SCH 250-380 | 315S | 1Q | 1.1E | 2D |
| SCH 250-380 | 315M | 1Q | 1.1E | 2D |
| SCH 250-380 | 315L | 1Q | 1.1E | 2D |
| SCH 250-470 | 315L | 1Q | 1.1E | 2D |
| SCH 250-470 | 355M | 1R | 1.1F | 2D |
| SCH 250-470 | 355L | 1R | 1.1F | 2D |
| SCH 300-430 | 315L | 1Q | 1.1E | 2D |
| SCH 300-430 | 355M | 1R | 1.1F | 2D |
| SCH 300-430 | 355L | 1R | 1.1F | 2D |
| SCH 300-540 | 355L | 1M | 1.1F | 2D |
| SCH 350-500 | 315M | 1Q | 1.1E | 2D |
| SCH 350-500 | 315L | 1Q | 1.1E | 2D |
| SCH 350-500 | 355M | 1Q | 1.1E | 2D |
| SCH 400-490 | 355L | 1M | 1.1F | 2D |
| SCH 400-550 | 355M | 1N | 1.1E | 2D |
| SCH 400-550 | 355L | 1L | 1.1F | 2D |

## SCH ... coupling

| Item | Article no. | Description                            | Quantity |
|------|-------------|--|----------|
| IA   | 6221333     | spacer coupling H125-L85-D29-D55 KIT   | 1        |
| IB   | 6221334     | spacer coupling H140-L125-D29-D55 KIT  | 1        |
| IC   | 6221335     | spacer coupling H140-L125-D29-D60 KIT  | 1        |
| ID   | 6221350     | spacer coupling H125-L85-D39-D55 KIT   | 1        |
| IE   | 6221336     | spacer coupling H140-L125-D39-D55 KIT  | 1        |
| IF   | 6221337     | spacer coupling H160-L125-D29-D65 KIT  | 1        |
| IG   | 6221338     | spacer coupling H160-L125-D39-D60 KIT  | 1        |
| IH   | 6221339     | spacer coupling H160-L125-D39-D65 KIT  | 1        |
| IJ   | 6221340     | spacer coupling H180-L125-D39-D75 KIT  | 1        |
| IK   | 6221341     | spacer coupling H200-L125-D39-D80 KIT  | 1        |
| IL   | 6221342     | spacer coupling H250-L160-D64-D95 KIT  | 1        |
| IM   | 6221343     | spacer coupling H250-L160-D64-D110 KIT | 1        |
| IN   | 6221344     | spacer coupling H200-L125-D64-D80 KIT  | 1        |
| IP   | 6221345     | spacer coupling H180-L125-D59-D75 KIT  | 1        |
| IQ   | 6221346     | spacer coupling H200-L125-D59-D80 KIT  | 1        |
| IR   | 6221347     | spacer coupling H250-L160-D59-D95 KIT  | 1        |
| IS   | 6221348     | spacer coupling H200-L125-D49-D80 KIT  | 1        |
| IT   | 6221349     | spacer coupling H180-L125-D49-D75 KIT  | 1        |
| I.1A | 6221351     | coupling rubbers R125 KIT              | 1        |
| I.1B | 6221352     | coupling rubbers R140 KIT              | 1        |
| I.1C | 6221353     | coupling rubbers R160 KIT              | 1        |
| I.1D | 6221354     | coupling rubbers R180 KIT              | 1        |
| I.1E | 6221355     | coupling rubbers R200 KIT              | 1        |
| I.1F | 6221356     | coupling rubbers R250 KIT              | 1        |
| 2A   | 2104331     | COUPLING GUARD T25 (NL) KIT            | 1        |
| 2B   | 2100579     | COUPLING GUARD T35 (NL) KIT            | 1        |
| 2C   | 6221358     | coupling guard SG35 SCH SET            | 1        |
| 2D   | 6221359     | coupling guard LE2 SCH SET             | 1        |

"WEG" motor bearing

|     |                  |     |    |     |                     |     |    |
|-----|------------------|-----|----|-----|---------------------|-----|----|
| W22 | 90S /L           | -xx | 1A | HGF | 315L /A /B /C /D /E | -04 | 10 |
| W22 | 100S /L /M       | -xx | 1B | HGF | 315L /A /B /C /D /E | -06 | 10 |
| W22 | 112S /L /M       | -xx | 1C | HGF | 355L /A /B /C /D /E | -04 | 1M |
| W22 | 132S /L /M       | -xx | 1D | HGF | 355L /A /B /C /D /E | -06 | 1M |
| W22 | 160S /L /M       | -xx | 1E | HGF | 400L /A /B /C /D /E | -04 | 1P |
| W22 | 180S /L /M       | -xx | 1F | HGF | 400L /A /B /C /D /E | -06 | 1P |
| W22 | 200L             | -xx | 1G |     |                     |     |    |
| W22 | 225S /L /M       | -xx | 1H | W50 | 315H/ G             | -04 | 10 |
| W22 | 250S /L /M       | -xx | 1H | W50 | 315H/ G             | -06 | 10 |
| W22 | 280S /M          | -02 | 1H | W50 | 355J/ H             | -04 | 1M |
| W22 | 280S /M          | -04 | 1J | W50 | 355J/ H             | -06 | 1M |
| W22 | 315S /M /L       | -02 | 1H | W50 | 400L/ K/ J /H       | -04 | 1P |
| W22 | 315S /M /L       | -04 | 1K | W50 | 400L/ K/ J /H       | -06 | 1P |
| W22 | 315S /M /L       | -06 | 1K |     |                     |     |    |
| W22 | 355S /M /L /A /B | -02 | 1L |     |                     |     |    |
| W22 | 355S /M /L /A /B | -04 | 1M |     |                     |     |    |
| W22 | 355S /M /L /A /B | -06 | 1M |     |                     |     |    |

**"WEG" motor bearing**

| Item | Article no. | Description      | Quantity |
|------|-------------|------------------|----------|
| IA   | 6221083     | ball bearing KIT | 1        |
| IB   | 6072787     | ball bearing KIT | 1        |
| IC   | 6085619     | ball bearing KIT | 1        |
| ID   | 6072789     | ball bearing KIT | 1        |
| IE   | 6220220     | ball bearing KIT | 1        |
| IF   | 6220221     | ball bearing KIT | 1        |
| IG   | 6221071     | ball bearing KIT | 1        |
| IH   | 6074875     | ball bearing KIT | 1        |
| IJ   | 6074876     | ball bearing KIT | 1        |
| IK   | 6074877     | ball bearing KIT | 1        |
| IL   | 6221072     | ball bearing KIT | 1        |
| IM   | 6221073     | ball bearing KIT | 1        |
| IP   | 6221082     | ball bearing KIT | 1        |