

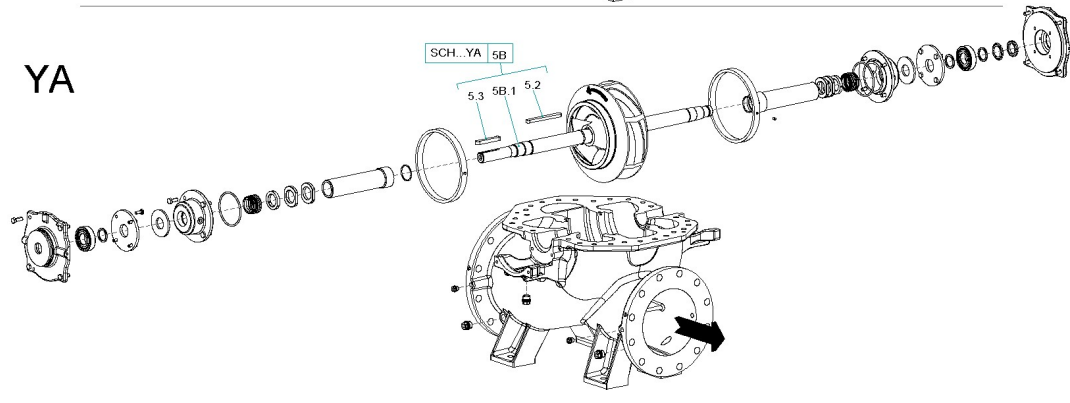
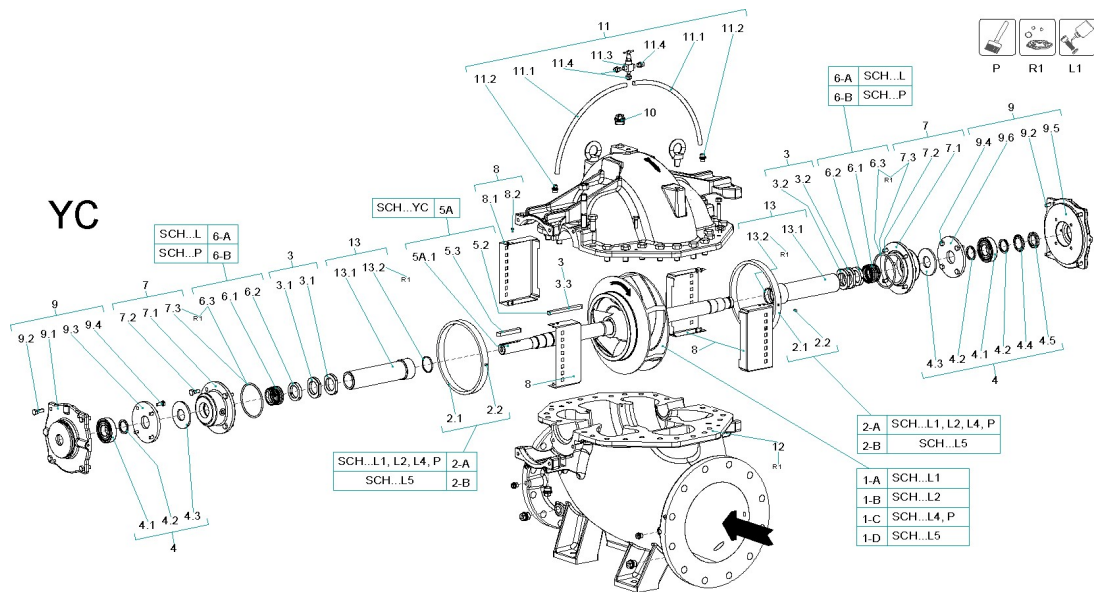
SCH 150/590 - S17

wilo

Wilo-Atmos TERA-SCH-HE- 10X6X22

Replacement Part Kits





NOTE: This model is also identified as Atmos TERA SCH-I50/590 when sold internationally by WILO¹

¹ YC denotes "Clockwise" shaft rotation and YA denotes "Anti-clockwise" shaft rotation.
Page 2 / 13

SCH-HE-10X6X22- Mechanical Seal with Sleeve

Item	Article no.	Description	Quantity
P	6042254	PAINT SPRAY Pantone334	1
LI	2096167	Loctite 243 50ml VP.	1
For Replacement Part Kits please see page 5			
I-A		on request	1
I-B		on request	1
I-C	6221624	Impeller SCH I50/590 L4/P VP.	1
I-D	6221625	Impeller SCH I50/590 L5 VP.	1
2-A	6221775	Wear ring ID.25I SCH LI, L2, L4, P. SET	1
2-B		on request	1
3	6221023	impeller fixation M70 SCH S17, S20 KIT	1
3.2		> SLEEVE NUT M70X2 RH SS410 SCH	2
3.1		> SLEEVE NUT M70X2 LH SS410 SCH	2
3.3		> IMPELLER KEY 20X12X265 DIN 6885-I-304	1
3.3		> IMPELLER KEY 20X12X205 DIN 6885-I-304	1
4	6221038	ball bearings SCH GR4 KIT	1
4.1		> ball bearing	2
4.2		> SUPPORTING RING GR4 SS410 SCH	3
4.3		> WATER THROWER GR4 EPDM SCH	2
4.4		> LOCK WASHER MB 12 SS SKF	1
4.5		> LOCK NUT KM 12 SS SKF	1
5A	6221122	pump shaft D.75 SCH YC S17/S20 KIT	1
5A.1		> SHAFT D.75xI199 4A IND SS410 YC SCH	1
5.2		> IMPELLER KEY 20X12X205 DIN 6885-I-304	1
5.3		> COUPLING KEY 18X11X110 DIN 6885-I-C45	1
5B	6221123	pump shaft D.75 SCH YA S17/S20 KIT	1
5B.1		> SHAFT D.75xI199 4A IND SS410 YA SCH	1
5.2		> IMPELLER KEY 20X12X205 DIN 6885-I-304	1
5.3		> COUPLING KEY 18X11X110 DIN 6885-I-C45	1
6-A	6221036	mech. seal D.85 SCH KIT	1
6.1		> mechanical seal	2
6.2		> ABUTMENT RING ID85 X OD113	2
6.3		> O RING ID145.42*5.33EPDM GB3452.1 HD80±5	2

Item	Article no.	Description	Quantity
6.3		> O RING ID 160X5.5 EPDM GB3452.1 HD80±5	2
6-B		on request	1
7	6221041	mech. seal casing 85 SCH GR4 KIT	1
7.1		> MS COVER GR4 GG FIN 85 SCH	2
7.2		> screw M16x40 ISO4017 A2-70	8
7.3		> O RING ID145.42*5.33EPDM GB3452.1 HD80±5	2
8	6221686	protective grid H.280x165 SCH KIT	1
8.1		> SEAL HOUSING GUARD 280x165x60 1.4016 SCH	4
8.2		> screw M5x10 DIN912 A4	16
9	6221043	bearing housing SCH GR2.2 KIT	1
9.2		> screw M16x40 ISO4017 A2-70	8
9.1		> BEARING HOUSING BH-GR2.2 GG FIN DE SCH	1
9.3		> BEARING COVER BC-GR2.2 GG FIN DE SCH	1
9.4		> M12-1.75 x 35mm DIN 933 A4 SS HEX SCREW	8
9.5		> BEARING HOUSING BH-GR2.2 GG FIN NDE SCH	1
9.6		> BEARING COVER BC-GR2.2 GG FIN NDE SCH	1
10	6220980	air vent valve VP.	1
11	6221053	flushing hose L.600 SCH KIT	1
11.1		> HOSEPIPE + gasket PN2.5 G3/8 L600-304	2
11.2		> M Reducer union GB/T14626 G1/4-G3/8 -304	2
11.3		> F WAY Sch160 R3/8 GB/T14626-93-304	1
11.4		> Male Nipple 0.375(3/8) IN-304	3
12	8077866	gasket paper	1
13	6221113	shaft sleeve ID.74 SCH 4A KIT	1
13.1		> SLEEVE 85x74x309 4A SS410 SCH	2
13.2		> O RING 74x3.55 CS EPDM HD 80±5A	2

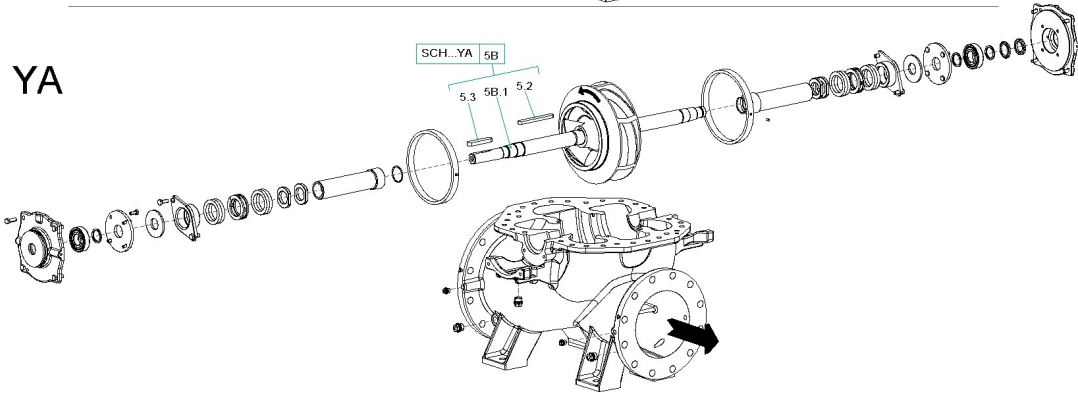
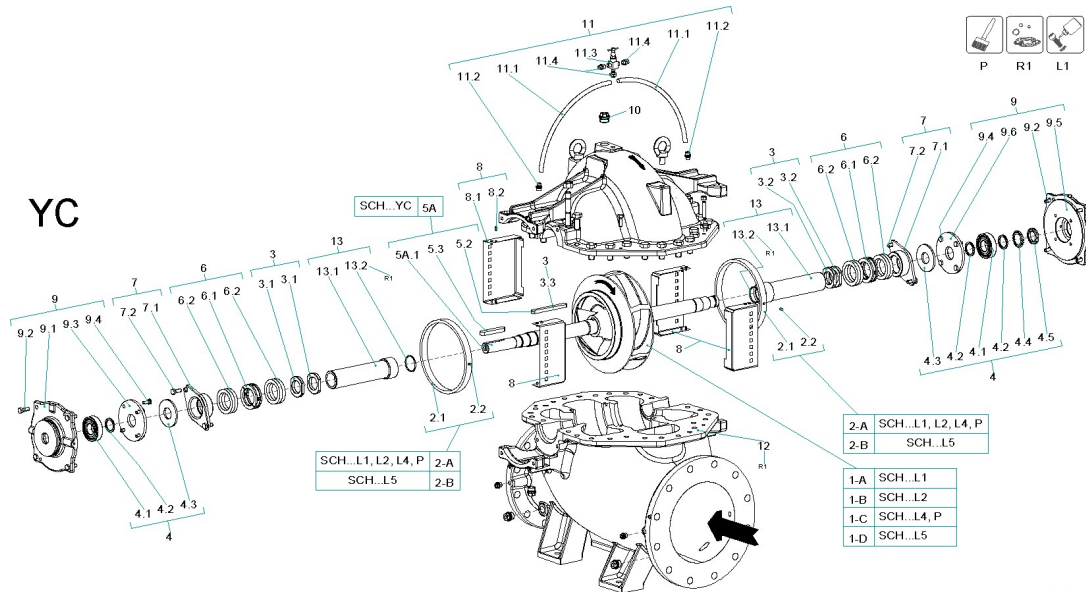
SCH-HE-10X6X22- Mechanical Seal with Sleeve

Note: Kit Bill of Material includes items as per following tables.

(6221021) R1- REPLACEMENT PART KIT 1			
Item	Article no.	Description	Quantity
6.3	8230447	O RING ID145.42*5.33EPDM GB3452.1 HD80±55	2
12	8077866	Gasket Paper (<i>dimensions to add</i>)	1
13.2	8230570	O RING 74x3.55 CS EPDM HD 80±5A	2

(XXXXXXX) R2- REPLACEMENT PART KIT 2			
Item	Article no.	Description	Quantity
6.3	8230447	O RING ID 145.42x5.33 CS EPDM HD 80+-5	2
12	8077866	Gasket Paper (<i>dimensions to add</i>)	1
13.2	8230570	O RING 74x3.55 CS EPDM HD 80±5A	2
6-A	6221036	mech. seal D.85 SCH KIT	2
4	6221038	ball bearings SCH GR4 KIT	2
4.3	7148356874	WATER THROWER GR4 EPDM SCH	2

(XXXXXXX) R3- REPLACEMENT PART KIT 3			
Item	Article no.	Description	Quantity
2A	6221775	Wear ring ID.251 SCH L1, L2, L4, P. SET	2
5A or 5B	6221122 or 6221123	pump shaft D.75 SCH YC S17/S20 KIT or pump shaft D.75 SCH YA S17/S20 KIT	2
13	6221113	shaft sleeve ID.74 SCH 4A KIT	2



NOTE: This model is also identified as Atmos TERA SCH-I50/590 when sold internationally by WILO²

² YC denotes "Clockwise" shaft rotation and YA denotes "Anti-clockwise" shaft rotation.
Page 6 / 13

SCH-HE-10X6X22- Gland Packed with Sleeve

Item	Article no.	Description	Quantity
P	6042254	PAINT SPRAY Pantone334	1
LI	2096167	Loctite 243 50ml VP.	1
For Replacement Part Kits please see page 9			
I-A		on request	1
I-B		on request	1
I-C	6221624	Impeller SCH I50/590 L4/P VP.	1
I-D	6221625	Impeller SCH I50/590 L5 VP.	1
2-A	6221775	Wear ring ID.25I SCH LI, L2, L4, P. SET	1
2-B		on request	1
3	6221023	impeller fixation M70 SCH S17, S20 KIT	1
3.2		> SLEEVE NUT M70X2 RH SS410 SCH	2
3.1		> SLEEVE NUT M70X2 LH SS410 SCH	2
3.3		> IMPELLER KEY 20X12X265 DIN 6885-I-304	1
3.3		> IMPELLER KEY 20X12X205 DIN 6885-I-304	1
4	6221038	ball bearings SCH GR4 KIT	1
4.1		> ball bearing	2
4.2		> SUPPORTING RING GR4 SS410 SCH	3
4.3		> WATER THROWER GR4 EPDM SCH	2
4.4		> LOCK WASHER MB 12 SS SKF	1
4.5		> LOCK NUT KM 12 SS SKF	1
5A	6221122	pump shaft D.75 SCH YC S17/S20 KIT	1
5A.1		> SHAFT D.75xI199 4A IND SS410 YC SCH	1
5.2		> IMPELLER KEY 20X12X205 DIN 6885-I-304	1
5.3		> COUPLING KEY 18X11X110 DIN 6885-I-C45	1
5B	6221123	pump shaft D.75 SCH YA S17/S20 KIT	1
5B.1		> SHAFT D.75xI199 4A IND SS410 YA SCH	1
5.2		> IMPELLER KEY 20X12X205 DIN 6885-I-304	1
5.3		> COUPLING KEY 18X11X110 DIN 6885-I-C45	1
6	6221037	gland packing 16mm SCH GR4 KIT	1
6.1		> LOGGING RING GR4 GFN SCH	2
6.2		> GLAND PACKING DE 16 BURAFロン 5846	
7	6221039	gland cover SCH GR4 KIT	1

SCH-HE-10X6X22- Gland Packed with Sleeve

Item	Article no.	Description	Quantity
7.1		> GLAND COVER GR4 GG SCH	2
7.2		> screw M16x65 ISO4017 A2-70	4
8	6221686	protective grid H.280x165 SCH KIT	1
8.1		> SEAL HOUSING GUARD 280x165x60 I.4016 SCH	4
8.2		> screw M5x10 DIN912 A4	16
9	6221043	bearing housing SCH GR2.2 KIT	1
9.2		> screw M16x40 ISO4017 A2-70	8
9.1		> BEARING HOUSING BH-GR2.2 GG FIN DE SCH	1
9.3		> BEARING COVER BC-GR2.2 GG FIN DE SCH	1
9.4		> M12-1.75 x 35mm DIN 933 A4 SS HEX SCREW	8
9.5		> BEARING HOUSING BH-GR2.2 GG FIN NDE SCH	1
9.6		> BEARING COVER BC-GR2.2 GG FIN NDE SCH	1
10	6220980	air vent valve VP.	1
11	6221053	flushing hose L.600 SCH KIT	1
11.1		> HOSEPIPE + gasket PN2.5 G3/8 L600-304	2
11.2		> M Reducer union GB/T14626 G1/4-G3/8 -304	2
11.3		> F WAY Sch160 R3/8 GB/T14626-93-304	1
11.4		> Male Nipple 0.375(3/8) IN-304	3
12	8077866	gasket paper	1
13	6221113	shaft sleeve ID.74 SCH 4A KIT	1
13.1		> SLEEVE 85x74x309 4A SS410 SCH	2
13.2		> O RING 74x3.55 CS EPDM HD 80±5A	2

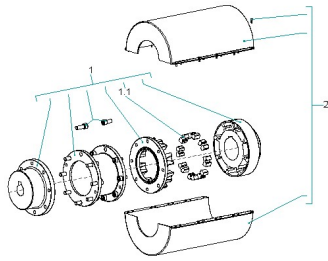
SCH-HE-10X6X22- Gland Packed with Sleeve

Note: Kit Bill of Material includes items as per following tables.

(6221021) R1- REPLACEMENT PART KIT 1			
Item	Article no.	Description	Quantity
6.3	8230447	O RING ID145.42*5.33EPDM GB3452.1 HD80±55	2
12	8077866	Gasket Paper (<i>dimensions to add</i>)	1
13.2	8230570	O RING 74x3.55 CS EPDM HD 80±5A	2

(XXXXXXX) R2- REPLACEMENT PART KIT 2			
Item	Article no.	Description	Quantity
6.3	8230447	O RING ID145.42*5.33EPDM GB3452.1 HD80±55	2
12	8077866	Gasket Paper (<i>dimensions to add</i>)	1
13.2	8230570	O RING 74x3.55 CS EPDM HD 80±5A	2
6-A	6221037	gland packing 16mm SCH GR4 KIT	2
4	6221038	ball bearings SCH GR4 KIT	2
4.3	7148356874	WATER THROWER GR4 EPDM SCH	2

(XXXXXXX) R3- REPLACEMENT PART KIT 3			
Item	Article no.	Description	Quantity
2A	6221775	Wear ring ID.251 SCH L1, L2, L4, P. SET	2
5A or 5B	6221122 or 6221123	pump shaft D.75 SCH YC S17/S20 KIT or pump shaft D.75 SCH YA S17/S20 KIT	2
13	6221113	shaft sleeve ID.74 SCH 4A KIT	2



		1	1.1	2
SCH 125-200	200L	1A	1.1A	2A
SCH 125-200	225M	1B	1.1B	2A
SCH 125-200	250M	1C	1.1B	2A
SCH 150-200	200L	1A	1.1A	2A
SCH 150-200	225M	1B	1.1B	2A
SCH 150-200	250M	1C	1.1B	2A
SCH 150-230	200L	1A	1.1A	2A
SCH 150-230	225M	1B	1.1B	2A
SCH 150-230	250M	1C	1.1B	2A
SCH 150-230	280S	1F	1.1C	2A
SCH 150-360	225S	1E	1.1B	2B
SCH 150-360	225M	1G	1.1C	2B

		1	1.1	2
SCH 150-360	250M	1H	1.1C	2B
SCH 150-360	280S	1J	1.1D	2C
SCH 150-430	280S	1J	1.1D	2C
SCH 150-430	280M	1J	1.1D	2C
SCH 150-430	315S	1K	1.1E	2C
SCH 150-430	315M	1K	1.1E	2C
SCH 150-470	315S	1S	1.1E	2D
SCH 150-470	315M	1S	1.1E	2D
SCH 150-470	315L	1S	1.1E	2D
SCH 150-530	315S	1S	1.1E	2D
SCH 150-530	315M	1S	1.1E	2D
SCH 150-530	315L	1S	1.1E	2D
SCH 150-540	355M	1R	1.1F	2D
SCH 150-540	355L	1R	1.1F	2D
SCH 150-560	315L	1Q	1.1E	2D
SCH 150-560	355M	1R	1.1F	2D
SCH 150-560	355L	1R	1.1F	2D
SCH 150-590	355L	1R	1.1F	2D
SCH 200-320	200L	1D	1.1A	2B
SCH 200-320	225S	1E	1.1B	2B
SCH 200-320	225M	1G	1.1C	2B
SCH 200-320	250M	1H	1.1C	2B
SCH 200-320	280S	1J	1.1D	2C
SCH 200-380	250M	1H	1.1C	2B
SCH 200-380	280S	1J	1.1D	2C
SCH 200-380	280M	1J	1.1D	2C
SCH 200-380	315S	1K	1.1E	2C
SCH 200-380	315M	1K	1.1E	2C

		1	1.1	2
SCH 200-420	280M	1T	1.1D	2D
SCH 200-420	315S	1S	1.1E	2D
SCH 200-420	315M	1S	1.1E	2D
SCH 200-420	315L	1S	1.1E	2D
SCH 200-500	315M	1Q	1.1E	2D
SCH 200-500	315L	1Q	1.1E	2D
SCH 200-500	355M	1R	1.1F	2D
SCH 250-360	250M	1H	1.1C	2B
SCH 250-360	280S	1J	1.1D	2C
SCH 250-360	280M	1J	1.1D	2C
SCH 250-360	315S	1K	1.1E	2C
SCH 250-380	280M	1P	1.1D	2D
SCH 250-380	315S	1Q	1.1E	2D
SCH 250-380	315M	1Q	1.1E	2D
SCH 250-380	315L	1Q	1.1E	2D
SCH 250-470	315L	1Q	1.1E	2D
SCH 250-470	355M	1R	1.1F	2D
SCH 250-470	355L	1R	1.1F	2D
SCH 300-430	315L	1Q	1.1E	2D
SCH 300-430	355M	1R	1.1F	2D
SCH 300-430	355L	1R	1.1F	2D
SCH 300-540	355L	1M	1.1F	2D
SCH 350-500	315M	1Q	1.1E	2D
SCH 350-500	315L	1Q	1.1E	2D
SCH 350-500	355M	1Q	1.1E	2D
SCH 400-490	355L	1M	1.1F	2D
SCH 400-550	355M	1N	1.1E	2D
SCH 400-550	355L	1L	1.1F	2D

SCH ... coupling

Item	Article no.	Description	Quantity
IA	6221333	spacer coupling H125-L85-D29-D55 KIT	1
IB	6221334	spacer coupling H140-L125-D29-D55 KIT	1
IC	6221335	spacer coupling H140-L125-D29-D60 KIT	1
ID	6221350	spacer coupling H125-L85-D39-D55 KIT	1
IE	6221336	spacer coupling H140-L125-D39-D55 KIT	1
IF	6221337	spacer coupling H160-L125-D29-D65 KIT	1
IG	6221338	spacer coupling H160-L125-D39-D60 KIT	1
IH	6221339	spacer coupling H160-L125-D39-D65 KIT	1
IJ	6221340	spacer coupling H180-L125-D39-D75 KIT	1
IK	6221341	spacer coupling H200-L125-D39-D80 KIT	1
IL	6221342	spacer coupling H250-L160-D64-D95 KIT	1
IM	6221343	spacer coupling H250-L160-D64-D110 KIT	1
IN	6221344	spacer coupling H200-L125-D64-D80 KIT	1
IP	6221345	spacer coupling H180-L125-D59-D75 KIT	1
IQ	6221346	spacer coupling H200-L125-D59-D80 KIT	1
IR	6221347	spacer coupling H250-L160-D59-D95 KIT	1
IS	6221348	spacer coupling H200-L125-D49-D80 KIT	1
IT	6221349	spacer coupling H180-L125-D49-D75 KIT	1
I.IA	6221351	coupling rubbers R125 KIT	1
I.IB	6221352	coupling rubbers R140 KIT	1
I.IC	6221353	coupling rubbers R160 KIT	1
I.ID	6221354	coupling rubbers R180 KIT	1
I.IE	6221355	coupling rubbers R200 KIT	1
I.IF	6221356	coupling rubbers R250 KIT	1
2A	2104331	COUPLING GUARD T25 (NL) KIT	1
2B	2100579	COUPLING GUARD T35 (NL) KIT	1
2C	6221358	coupling guard SG35 SCH SET	1
2D	6221359	coupling guard LE2 SCH SET	1

"WEG" motor bearing

W22	90S /L	-xx	1A	HGF	315L /A /B /C /D /E	-04	10
W22	100S /L /M	-xx	1B	HGF	315L /A /B /C /D /E	-06	10
W22	112S /L /M	-xx	1C	HGF	355L /A /B /C /D /E	-04	1M
W22	132S /L /M	-xx	1D	HGF	355L /A /B /C /D /E	-06	1M
W22	160S /L /M	-xx	1E	HGF	400L /A /B /C /D /E	-04	1P
W22	180S /L /M	-xx	1F	HGF	400L /A /B /C /D /E	-06	1P
W22	200L	-xx	1G				
W22	225S /L /M	-xx	1H	W50	315H/ G	-04	10
W22	250S /L /M	-xx	1H	W50	315H/ G	-06	10
W22	280S /M	-02	1H	W50	355J/ H	-04	1M
W22	280S /M	-04	1J	W50	355J/ H	-06	1M
W22	315S /M /L	-02	1H	W50	400L/ K/ J /H	-04	1P
W22	315S /M /L	-04	1K	W50	400L/ K/ J /H	-06	1P
W22	315S /M /L	-06	1K				
W22	355S /M /L /A /B	-02	1L				
W22	355S /M /L /A /B	-04	1M				
W22	355S /M /L /A /B	-06	1M				

"WEG" motor bearing

Item	Article no.	Description	Quantity
IA	6221083	ball bearing KIT	1
IB	6072787	ball bearing KIT	1
IC	6085619	ball bearing KIT	1
ID	6072789	ball bearing KIT	1
IE	6220220	ball bearing KIT	1
IF	6220221	ball bearing KIT	1
IG	6221071	ball bearing KIT	1
IH	6074875	ball bearing KIT	1
IJ	6074876	ball bearing KIT	1
IK	6074877	ball bearing KIT	1
IL	6221072	ball bearing KIT	1
IM	6221073	ball bearing KIT	1
IP	6221082	ball bearing KIT	1