


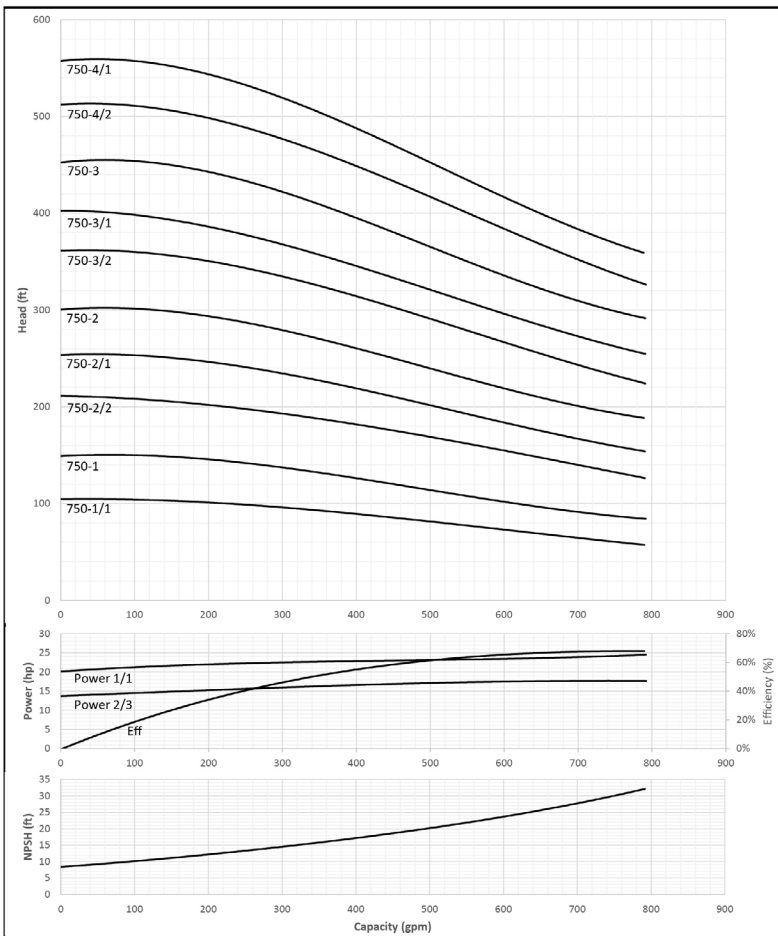
Submittal Data Sheet

MVI - Vertical Multistage Pumps



A WILO BRAND

MVI 750								
		Project:						
		Engineer:						
		Contractor:						
		Submitted By:				Date:		
		Approved By:				Date:		
Tag #	Model #	Flow	Head	HP	Cycle	Phase	Voltage	RPM
					60HZ			



- ### Applications
- Water supply & pressure boosting
 - Industrial circulation systems
 - Cooling water circulation systems
 - Process water
 - Washing systems
 - Irrigation

Materials of Construction

	AISI 304 Stainless Steel Model	AISI 316 stainless steel Model
Pump Volute, Impeller, Outer Sleeve, Cover, Seal Chamber	AISI 304 stainless steel	AISI 316 stainless steel
Shaft	AISI 431 stainless steel	AISI 316 stainless steel
Pedestal	ASTM 65-45-12 Cast Iron	
Flanges	ASTM 65-45-12 Cast Iron	
Baseplate	ASTM 25B Cast Iron	
Mechanical Seal	EPDM or Viton	
O-ring	EPDM or Viton	

Technical Data

Certification	NSF/ANSI 61 & 372 Certified
Liquid Temp Range	5 °F to 248 °F; determined by liquid type
Power Supply	1-115/208-230/460V, 3-208-230/460V, 3-575V
Ambient temperature	32 °F to 104 °F
Flange Connection	5" ANSI CLASS 150 for MVI 750-1/1 - 750-3 5" ANSI CLASS 300 for MVI 750-4/2 - 750-4/1
Max Operating Pressure	435 PSI
Protection Class	IP 55

Approval Stamp

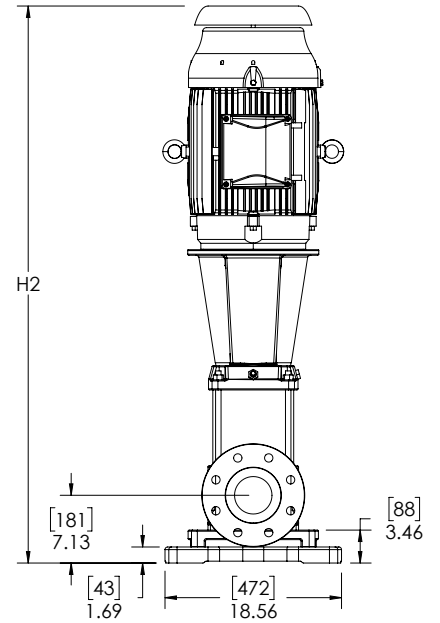
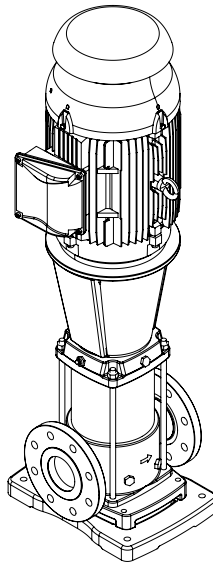
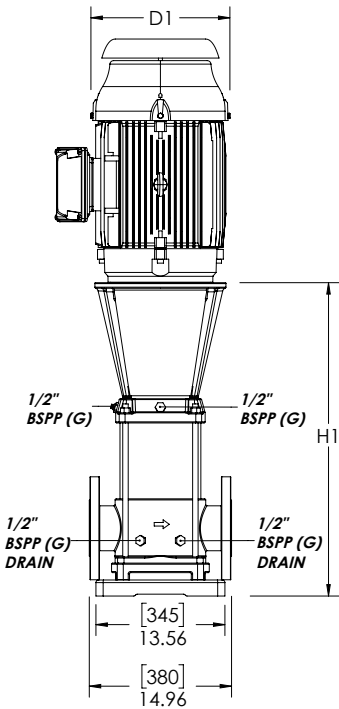
Submittal Data Sheet

MVI - Vertical Multistage Pumps



A WILO BRAND

Dimensions, Weights & Electrical Data



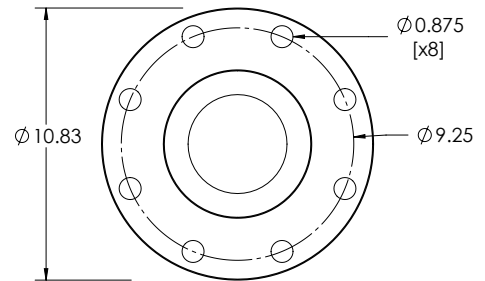
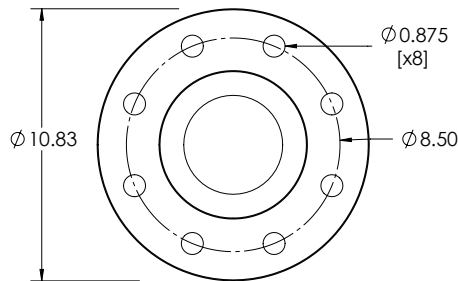
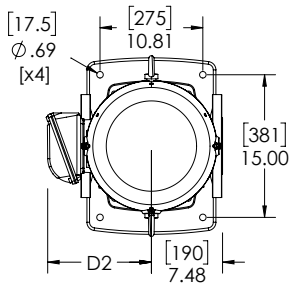
note:
Refer to the flow arrow
on the pump volute
for the direction of flow.

MVI 750-1/1 - 750-3

5" - 150# ANSI
SUCTION &
DISCHARGE

MVI 750-4/2 - 750-4/1

5" - 300# ANSI
SUCTION &
DISCHARGE



Submittal Data Sheet

Scot MVI – Vertical Multistage Pumps



A WILO BRAND

Dimensions, Weights & Electrical Data

Dimensions and Weights											TEFC Motor Data			
Model	H ₁		H ₂		D ₁		D ₂		Weight		208-230/460 V			
	Dimensions-inches (mm)										P2	Frame	Phase	FLA
	in	mm	in	(mm)	in	(mm)	in	(mm)	lbs	kg	[HP]	[~]	[A]	
MVI 750-1/1	33.0	837	57.0	1449	14.2	360	11.1	282	605	275	25	284TSC	3	63.0-57.6/28.8
MVI 750-1	33.0	837	58.5	1486	14.2	360	11.1	282	626	284	30	286TSC	3	76.7-68.4/34.2
MVI 750-2/2	39.1	992	66.1	1678	15.8	402	12.6	320	774	351	40	324TSC	3	101-92.6/46.3
MVI 750-2/1	39.1	992	64.9	1649	15.8	402	12.6	320	853	387	50	324/6TSC	3	124-112/56.1
MVI 750-2	39.1	992	67.7	1718	17.9	455	16.0	407	1133	515	60	364/5TSC	3	148-134/67.0
MVI 750-3/2	45.7	1160	74.3	1886	17.9	455	16.0	407	1213	551	75	364/5TSC	3	181-164/81.9
MVI 750-3/1	45.7	1160	74.3	1886	17.9	455	16.0	407	1213	551	75	364/5TSC	3	181-164/81.9
MVI 750-3	45.7	1160	78.1	1984	19.1	486	16.0	407	1435	651	100	404/5TSC	3	243-224/112
MVI 750-4/2	51.8	1315	84.2	2139	19.1	486	16.0	407	1454	660	100	404/5TSC	3	243-224/112
MVI 750-4/1	51.8	1315	84.2	2139	19.1	486	16.0	407	1454	660	100	404/5TSC	3	243-224/112

Dimensions and Weights											TEFC Motor Data			
Model	H ₁		H ₂		D ₁		D ₂		Weight		575V			
	Dimensions-inches (mm)										P2	Frame	Phase	FLA
	in	mm	in	(mm)	in	(mm)	in	(mm)	lbs	kg	[HP]	[~]	[A]	
MVI 750-1/1	33.0	837	56.3	1429	14.2	360	11.1	282	616	280	25	284/6TSC	3	23
MVI 750-1	33.0	837	56.3	1429	14.2	360	11.1	282	636	289	30	284/6TSC	3	27.4
MVI 750-2/2	39.1	992	64.9	1649	15.8	402	12.6	320	805	365	40	324/6TSC	3	37
MVI 750-2/1	39.1	992	64.9	1649	15.8	402	12.6	320	835	379	50	324/6TSC	3	44.9
MVI 750-2	39.1	992	67.7	1718	17.9	455	16.0	407	1130	513	60	364/5TSC	3	53.6
MVI 750-3/2	45.7	1160	74.3	1886	17.9	455	16.0	407	1181	536	75	364/5TSC	3	65.5
MVI 750-3/1	45.7	1160	74.3	1886	17.9	455	16.0	407	1181	536	75	364/5TSC	3	65.5
MVI 750-3	45.7	1160	78.1	1984	19.1	486	16.0	407	1431	650	100	404/5TSC	3	89.6
MVI 750-4/2	51.8	1315	84.2	2139	19.1	486	16.0	407	1450	658	100	404/5TSC	3	89.6
MVI 750-4/1	51.8	1315	84.2	2139	19.1	486	16.0	407	1450	658	100	404/5TSC	3	89.6