

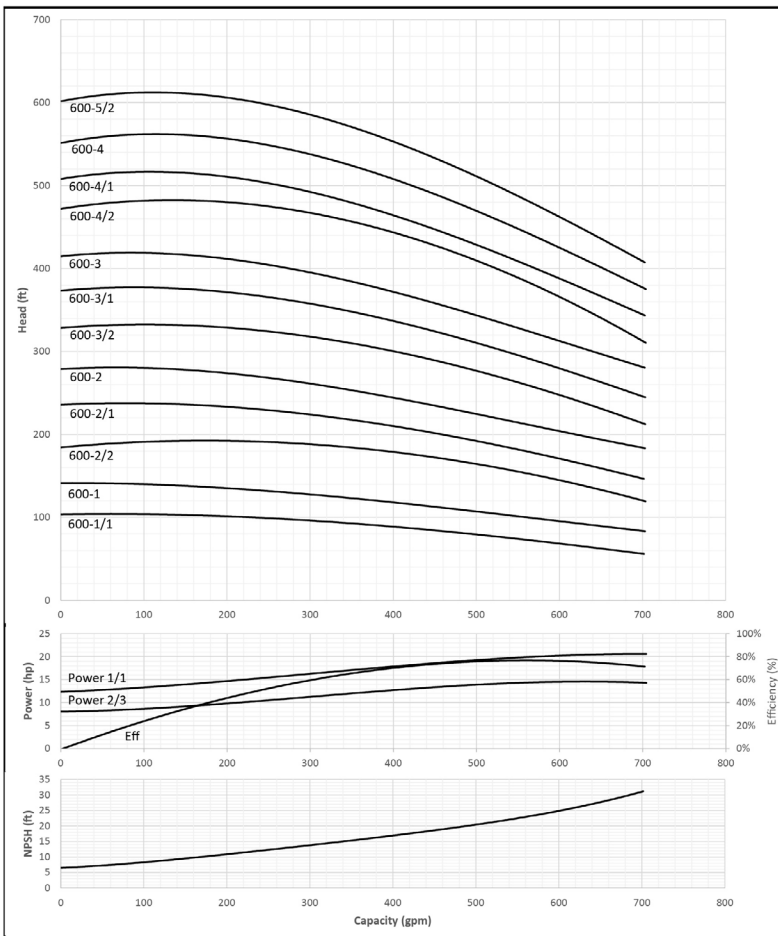
# Submittal Data Sheet

## MVI - Vertical Multistage Pumps



A WILO BRAND

MVI 600								
		Project:						
		Engineer:						
		Contractor:						
		Submitted By:				Date:		
		Approved By:				Date:		
Tag #	Model #	Flow	Head	HP	Cycle	Phase	Voltage	RPM
					60HZ			



### Applications

- Water supply & pressure boosting
- Industrial circulation systems
- Cooling water circulation systems
- Process water
- Washing systems
- Irrigation

### Materials of Construction

	AISI 304 Stainless Steel Model	AISI 316 stainless steel Model
Pump Volute, Impeller, Outer Sleeve, Cover, Seal Chamber	AISI 304 stainless steel	AISI 316 stainless steel
Shaft	AISI 431 stainless steel	AISI 316 stainless steel
Pedestal	ASTM 65-45-12 Cast Iron	
Flanges	ASTM 65-45-12 Cast Iron	
Baseplate	ASTM 25B Cast Iron	
Mechanical Seal	EPDM or Viton	
O-ring	EPDM or Viton	

### Technical Data

Certification	NSF/ANSI 61 & 372 Certified
Liquid Temp Range	5 °F to 248 °F; determined by liquid type
Power Supply	1-115/208-230/460V, 3-208-230/460V, 3-575V
Ambient temperature	32 °F to 104 °F
Flange Connection	5" ANSI CLASS 150 for MVI 600-1/1 - 600-4/2 5" ANSI CLASS 300 for MVI 600-4/1 - 600-5/2
Max Operating Pressure	435 PSI
Protection Class	IP 55

## Approval Stamp

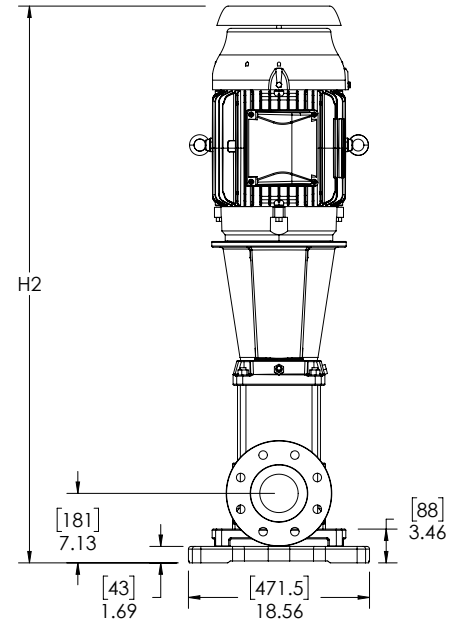
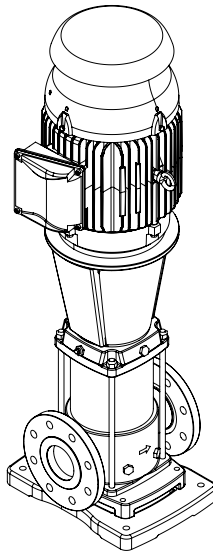
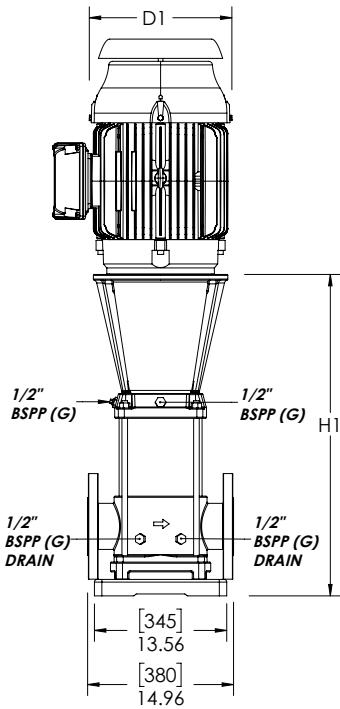
# Submittal Data Sheet

## MVI - Vertical Multistage Pumps



A WILO BRAND

### Dimensions, Weights & Electrical Data



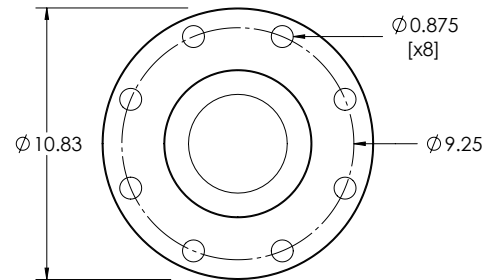
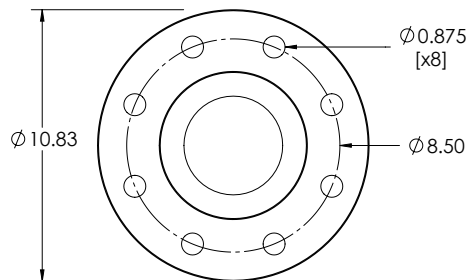
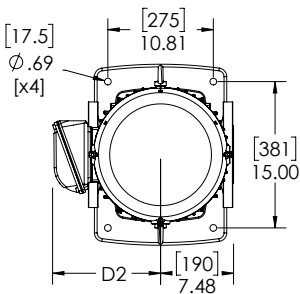
*note:*  
Refer to the flow arrow  
on the pump volute  
for the direction of flow.

**MVI 600-1/1 - 600-4/2**

**5" - 150# ANSI  
SUCTION &  
DISCHARGE**

**MVI 600-4/1 - 600-5/2**

**5" - 300# ANSI  
SUCTION &  
DISCHARGE**



# Submittal Data Sheet

Scot MVI – Vertical Multistage Pumps



A WILO BRAND

## Dimensions, Weights & Electrical Data

Dimensions and Weights											TEFC Motor Data			
Model	H <sub>1</sub>		H <sub>2</sub>		D <sub>1</sub>		D <sub>2</sub>		Weight		208-230/460 V			
	Dimensions-inches (mm)										P2	Frame	Phase	FLA
	in	mm	in	(mm)	in	(mm)	in	(mm)	lbs	kg	[HP]	[~]	[A]	
MVI 600-1/1	33.0	837	54.4	1382	13.2	335	9.4	240	437	199	20	254/6TC	3	50.2-45.4/22.7
MVI 600-1	33.0	837	57.0	1449	14.2	360	11.1	282	598	271	25	284TSC	3	63.0-57.6/28.8
MVI 600-2/2	39.1	992	66.1	1678	15.8	402	12.6	320	775	352	40	324TSC	3	101-92.6/46.3
MVI 600-2/1	39.1	992	66.1	1678	15.8	402	12.6	320	775	352	40	324TSC	3	101-92.6/46.3
MVI 600-2	39.1	992	64.9	1649	15.8	402	12.6	320	855	388	50	324/6TSC	3	124-112/56.1
MVI 600-3/2	45.2	1148	73.8	1874	17.9	455	16.0	407	1156	525	60	364/5TSC	3	148-134/67.0
MVI 600-3/1	45.2	1148	73.8	1874	17.9	455	16.0	407	1156	525	60	364/5TSC	3	148-134/67.0
MVI 600-3	45.7	1160	74.3	1886	17.9	455	16.0	407	1214	551	75	364/5TSC	3	181-164/81.9
MVI 600-4/2	51.8	1315	80.4	2041	17.9	455	16.0	407	1236	561	75	364/5TSC	3	181-164/81.9
MVI 600-4/1	51.8	1315	84.2	2139	19.1	486	16.0	407	1458	662	100	404/5TSC	3	243-224/112
MVI 600-4	51.8	1315	84.2	2139	19.1	486	16.0	407	1458	662	100	404/5TSC	3	243-224/112
MVI 600-5/2	57.9	1471	90.3	2295	19.1	486	16.0	407	1479	672	100	404/5TSC	3	243-224/112

Dimensions and Weights											TEFC Motor Data			
Model	H <sub>1</sub>		H <sub>2</sub>		D <sub>1</sub>		D <sub>2</sub>		Weight		575V			
	Dimensions-inches (mm)										P2	Frame	Phase	FLA
	in	mm	in	(mm)	in	(mm)	in	(mm)	lbs	kg	[HP]	[~]	[A]	
MVI 600-1/1	33.0	837	52.3	1327	13.2	335	9.4	240	438	199	20	254/6TC	3	18.2
MVI 600-1	33.0	837	56.3	1429	14.2	360	11.1	282	609	276	25	284/6TSC	3	23
MVI 600-2/2	39.1	992	64.9	1649	15.8	402	12.6	320	806	366	40	324/6TSC	3	37
MVI 600-2/1	39.1	992	64.9	1649	15.8	402	12.6	320	806	366	40	324/6TSC	3	37
MVI 600-2	39.1	992	64.9	1649	15.8	402	12.6	320	837	380	50	324/6TSC	3	44.9
MVI 600-3/2	45.2	1148	73.8	1874	17.9	455	16.0	407	1153	524	60	364/5TSC	3	53.6
MVI 600-3/1	45.2	1148	73.8	1874	17.9	455	16.0	407	1153	524	60	364/5TSC	3	53.6
MVI 600-3	45.7	1160	74.3	1886	17.9	455	16.0	407	1182	537	75	364/5TSC	3	65.5
MVI 600-4/2	51.8	1315	80.4	2041	17.9	455	16.0	407	1204	547	75	364/5TSC	3	65.5
MVI 600-4/1	51.8	1315	84.2	2139	19.1	486	16.0	407	1454	660	100	404/5TSC	3	89.6
MVI 600-4	51.8	1315	84.2	2139	19.1	486	16.0	407	1454	660	100	404/5TSC	3	89.6
MVI 600-5/2	57.9	1471	90.3	2295	19.1	486	16.0	407	1475	670	100	404/5TSC	3	89.6