


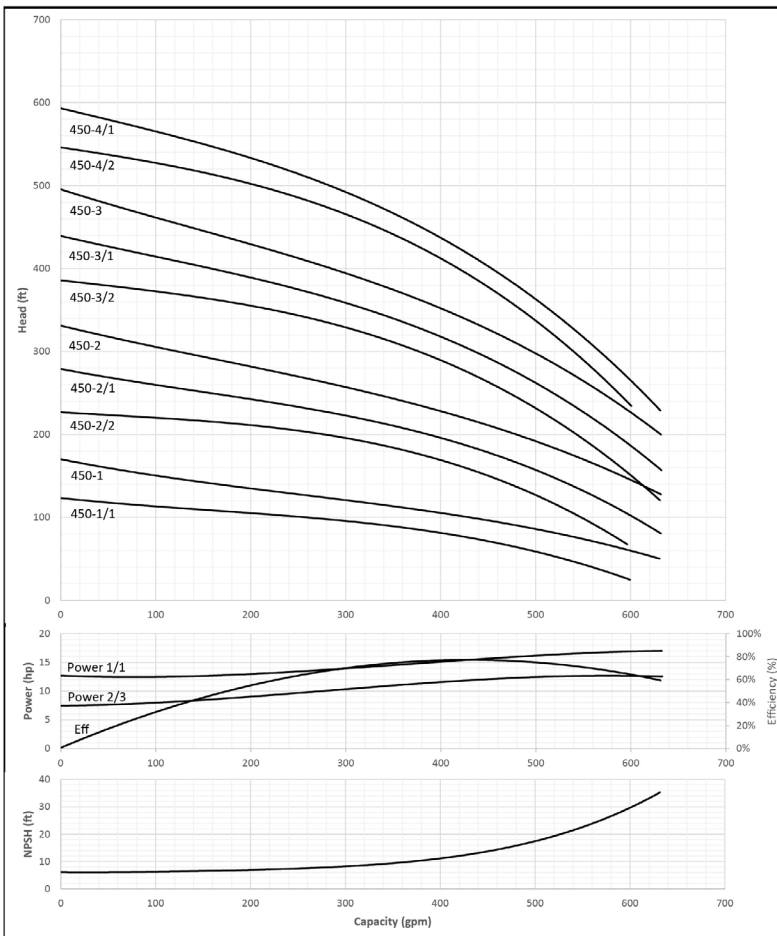
Submittal Data Sheet

MVI - Vertical Multistage Pumps



A WILO BRAND

MVI 450								
		Project:						
		Engineer:						
		Contractor:						
		Submitted By:				Date:		
		Approved By:				Date:		
Tag #	Model #	Flow	Head	HP	Cycle	Phase	Voltage	RPM
					60HZ			



Applications

- Water supply & pressure boosting
- Industrial circulation systems
- Cooling water circulation systems
- Process water
- Washing systems
- Irrigation

Materials of Construction

	AISI 304 Stainless Steel Model	AISI 316 stainless steel Model
Pump Volute, Impeller, Outer Sleeve, Cover, Seal Chamber	AISI 304 stainless steel	AISI 316 stainless steel
Shaft	AISI 431 stainless steel	AISI 316 stainless steel
Pedestal	ASTM 65-45-12 Cast Iron	
Flanges	ASTM 65-45-12 Cast Iron	
Baseplate	ASTM 25B Cast Iron	
Mechanical Seal	EPDM or Viton	
O-ring	EPDM or Viton	

Technical Data

Certification	NSF/ANSI 61 & 372 Certified
Liquid Temp Range	5 °F to 248 °F; determined by liquid type
Power Supply	1-115/208-230/460V, 3-208-230/460V, 3-575V
Ambient temperature	32 °F to 104 °F
Flange Connection	4" ANSI CLASS 150 for MVI 450-1/1 - 450-3 4" ANSI CLASS 300 for MVI 450-4/2 - 450-4/1
Max Operating Pressure	232 PSI for MVI 450-1/1 - MVI 450-3 435 PSI for MVI 450-4/2 - MVI 450-4/1
Protection Class	IP 55

Approval Stamp

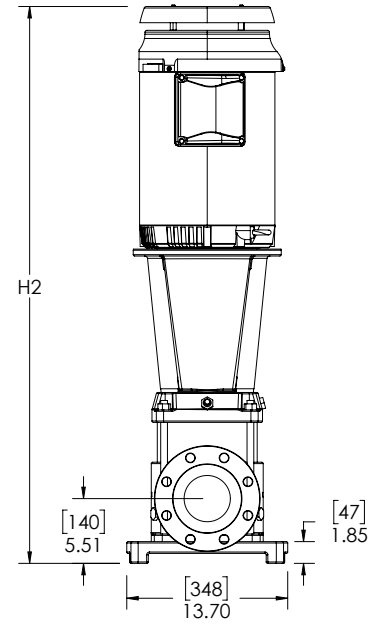
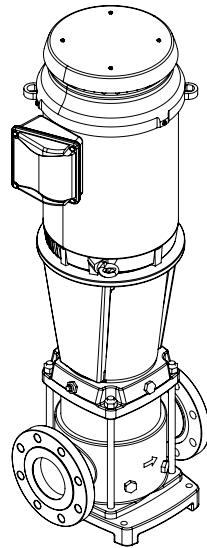
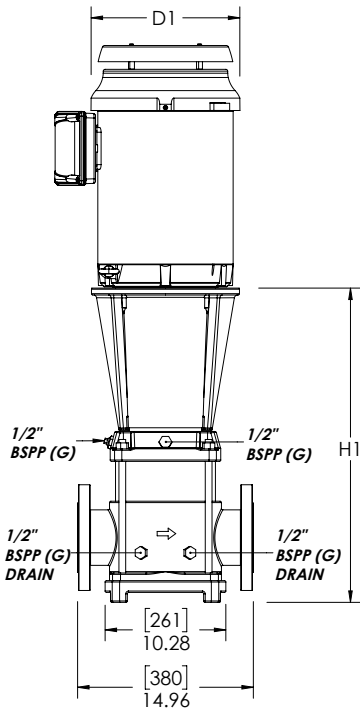
Submittal Data Sheet

MVI - Vertical Multistage Pumps



A WILO BRAND

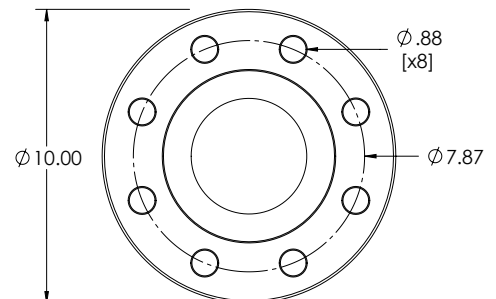
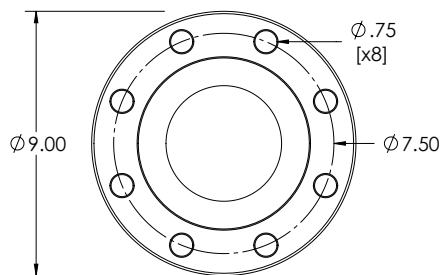
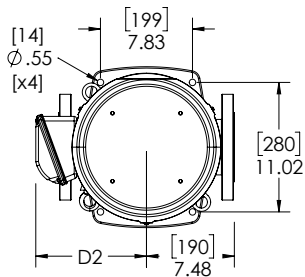
Dimensions, Weights & Electrical Data



note:
Refer to the flow arrow
on the pump volute
for the direction of flow.

MVI 450-1/1 - 450-3
4" - 150# ANSI
SUCTION &
DISCHARGE

MVI 450-4/2 - 450-4/1
4" - 300# ANSI
SUCTION &
DISCHARGE



Submittal Data Sheet

Scot MVI – Vertical Multistage Pumps



A WILO BRAND

Dimensions, Weights & Electrical Data

Dimensions and Weights											TEFC Motor Data			
Model	H ₁		H ₂		D ₁		D ₂		Weight		208-230/460 V			
	Dimensions-inches (mm)										P2	Frame	Phase	FLA
	in	mm	in	(mm)	in	(mm)	in	(mm)	lbs	kg	[HP]	[~]	[A]	
MVI 450-1/1	26.8	679	47.3	1201	13.2	335	9.4	240	351	159	15	254/6TC	3	38.5-34.8/17.4
MVI 450-1	26.8	679	47.3	1201	13.2	335	9.4	240	351	160	15	254/6TC	3	38.5-34.8/17.4
MVI 450-2/2	30.3	771	54.4	1382	14.2	360	11.1	282	564	256	25	284TSC	3	63.0-57.6/28.8
MVI 450-2/1	30.3	771	55.9	1420	14.2	360	11.1	282	584	265	30	286TSC	3	76.7-68.4/34.2
MVI 450-2	30.3	771	57.3	1456	15.8	402	12.6	320	711	323	40	324TSC	3	101-92.6/46.3
MVI 450-3/2	33.9	862	60.9	1548	15.8	402	12.6	320	722	328	40	324TSC	3	101-92.6/46.3
MVI 450-3/1	33.9	862	59.8	1518	15.8	402	12.6	320	801	364	50	324/6TSC	3	124-112/56.1
MVI 450-3	33.9	862	59.8	1518	15.8	402	12.6	320	801	364	50	324/6TSC	3	124-112/56.1
MVI 450-4/2	37.4	949	65.9	1675	17.9	455	16.0	407	1096	498	60	364/5TSC	3	148-134/67.0
MVI 450-4/1	37.4	949	65.9	1675	17.9	455	16.0	407	1097	498	60	364/5TSC	3	148-134/67.0

Dimensions and Weights											TEFC Motor Data			
Model	H ₁		H ₂		D ₁		D ₂		Weight		575V			
	Dimensions-inches (mm)										P2	Frame	Phase	FLA
	in	mm	in	(mm)	in	(mm)	in	(mm)	lbs	kg	[HP]	[~]	[A]	
MVI 450-1/1	26.8	679	44.9	1141	11.0	279	8.0	203	332	151	15	254/6TC	3	9.2
MVI 450-1	26.8	679	44.9	1141	11.0	279	8.0	203	332	151	15	254/6TC	3	9.2
MVI 450-2/2	30.3	771	53.6	1362	14.2	360	11.1	282	575	261	25	284/6TSC	3	23
MVI 450-2/1	30.3	771	53.6	1362	14.2	360	11.1	282	594	270	30	284/6TSC	3	27.4
MVI 450-2	30.3	771	56.2	1427	15.8	402	12.6	320	742	337	40	324/6TSC	3	37
MVI 450-3/2	33.9	862	59.8	1518	15.8	402	12.6	320	753	342	40	324/6TSC	3	37
MVI 450-3/1	33.9	862	59.8	1518	15.8	402	12.6	320	783	356	50	324/6TSC	3	44.9
MVI 450-3	33.9	862	59.8	1518	15.8	402	12.6	320	783	356	50	324/6TSC	3	44.9
MVI 450-4/2	37.4	949	65.9	1675	17.9	455	16.0	407	1093	496	60	364/5TSC	3	53.6
MVI 450-4/1	37.4	949	65.9	1675	17.9	455	16.0	407	1094	497	60	364/5TSC	3	53.6