

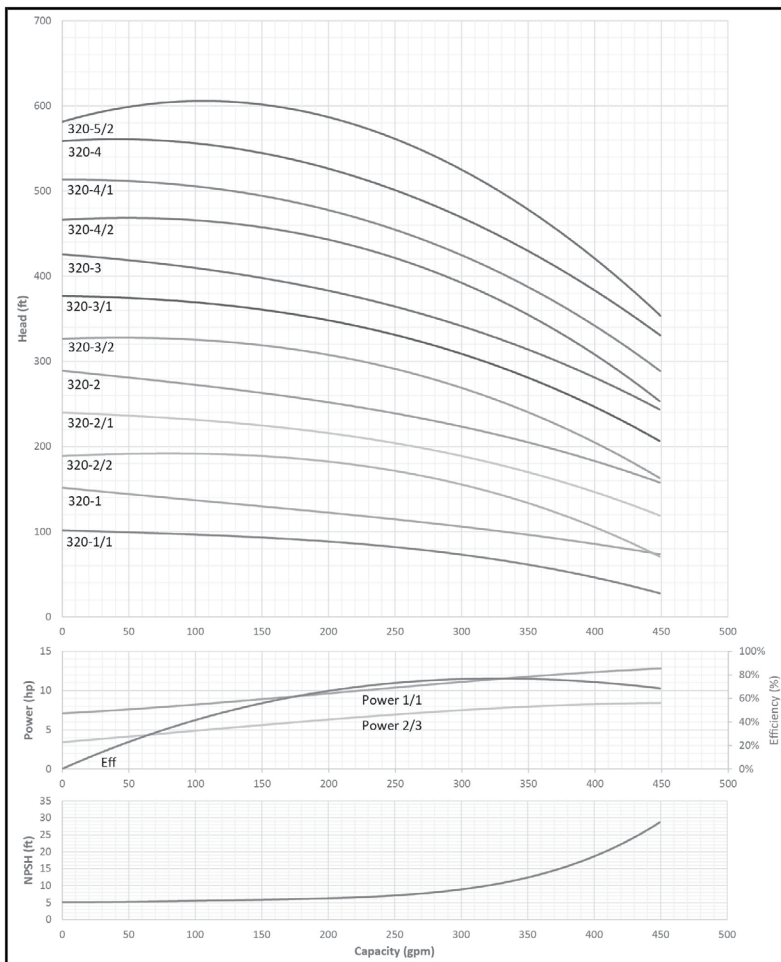
Submittal Data Sheet

MVI - Vertical Multistage Pumps



A WILO BRAND

MVI 320								
		Project:						
		Engineer:						
		Contractor:						
		Submitted By:				Date:		
		Approved By:				Date:		
Tag #	Model #	Flow	Head	HP	Cycle	Phase	Voltage	RPM
					60HZ			



- ### Applications
- Water supply & pressure boosting
 - Industrial circulation systems
 - Cooling water circulation systems
 - Process water
 - Washing systems
 - Irrigation

Materials of Construction

	AISI 304 Stainless Steel Model	AISI 316 stainless steel Model
Pump Volute, Impeller, Outer Sleeve, Cover, Seal Chamber	AISI 304 stainless steel	AISI 316 stainless steel
Shaft	AISI 431 stainless steel	AISI 316 stainless steel
Pedestal	ASTM 65-45-12 Cast Iron	
Flanges	ASTM 65-45-12 Cast Iron	
Baseplate	ASTM 25B Cast Iron	
Mechanical Seal	EPDM or Viton	
O-ring	EPDM or Viton	

Technical Data

Certification	NSF/ANSI 61 & 372 Certified
Liquid Temp Range	5 °F to 248 °F; determined by liquid type
Power Supply	1~115/208-230/460V, 3~208-230/460V, 3-575V
Ambient temperature	32 °F to 104 °F
Flange Connection	4" ANSI CLASS 150 for MVI 320-1/1 - 320-3 4" ANSI CLASS 300 for MVI 320-4/2 - 320-5/2
Max Operating Pressure	232 PSI for MVI 320-1/1 - MVI 320-3 435 PSI for MVI 320-4/2 - MVI 320-5/2
Protection Class	IP 55

Approval Stamp

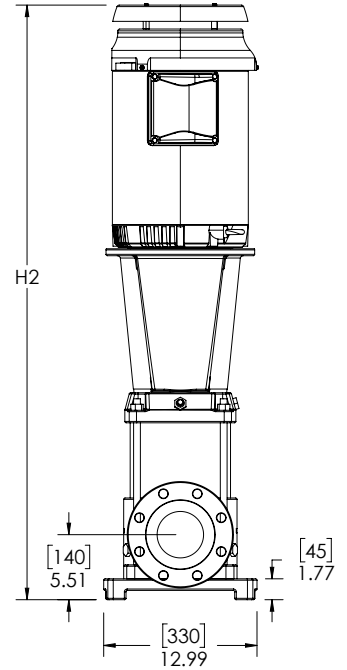
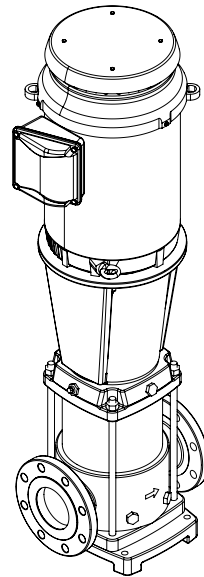
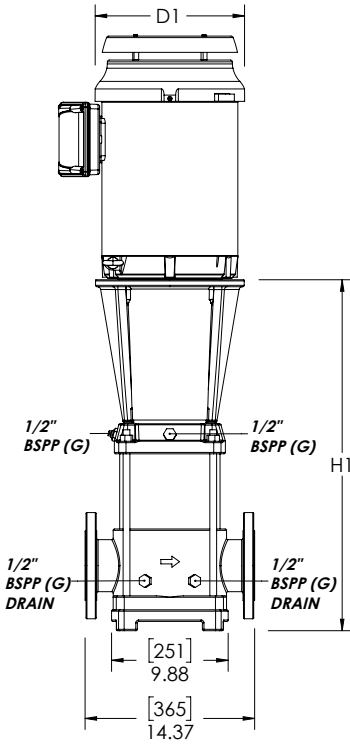
Submittal Data Sheet

MVI - Vertical Multistage Pumps



A WILO BRAND

Dimensions, Weights & Electrical Data



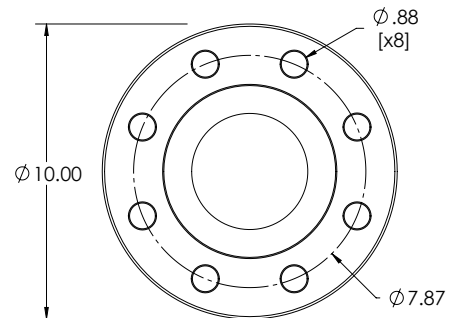
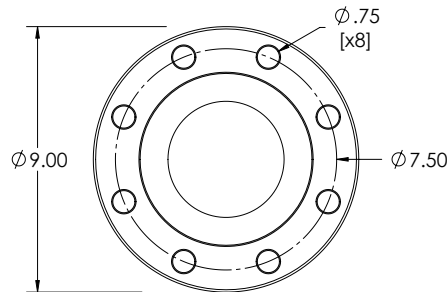
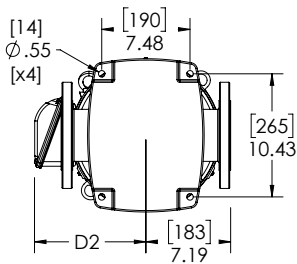
note:
Refer to the flow arrow
on the pump volute
for the direction of flow.

MVI 320-1/1 - 320-3

**4" - 150# ANSI
SUCTION &
DISCHARGE**

MVI 320-4/2 - 320-5/2

**4" - 300# ANSI
SUCTION &
DISCHARGE**



Submittal Data Sheet

Scot MVI – Vertical Multistage Pumps



A WILO BRAND

Dimensions, Weights & Electrical Data

Dimensions and Weights											TEFC Motor Data			
Model	H ₁		H ₂		D ₁		D ₂		Weight		208-230/460 V			
	Dimensions-inches (mm)										P2	Frame	Phase	FLA
	in	mm	in	(mm)	in	(mm)	in	(mm)	lbs	kg	[HP]		[~]	[A]
MVI 320-1/1	22.4	568	41.3	1048	11.0	279	8.0	203	259	118	7.5	213/5TC	3	19.2-17.3/8.67
MVI 320-1	26.5	673	47.0	1195	13.2	335	9.4	240	328	149	15	254/6TC	3	38.5-34.8/17.4
MVI 320-2/2	29.7	755	50.3	1277	13.2	335	9.4	240	337	153	15	254/6TC	3	38.5-34.8/17.4
MVI 320-2/1	29.7	755	51.2	1300	13.2	335	9.4	240	378	172	20	254/6TC	3	50.2-45.4/22.7
MVI 320-2	29.7	755	53.8	1367	14.2	360	11.1	282	538	244	25	284TSC	3	63.0-57.6/28.8
MVI 320-3/2	33.0	838	58.6	1487	14.2	360	11.1	282	567	257	30	286TSC	3	76.7-68.4/34.2
MVI 320-3/1	33.0	838	60.0	1524	15.8	402	12.6	320	694	315	40	324TSC	3	101-92.6/46.3
MVI 320-3	33.0	838	60.0	1524	15.8	402	12.6	320	694	315	40	324TSC	3	101-92.6/46.3
MVI 320-4/2	36.2	920	63.2	1606	15.8	402	12.6	320	702	319	40	324TSC	3	101-92.6/46.3
MVI 320-4/1	36.2	920	62.1	1577	15.8	402	12.6	320	782	355	50	324/6TSC	3	124-112/56.1
MVI 320-4	36.2	920	62.1	1577	15.8	402	12.6	320	782	355	50	324/6TSC	3	124-112/56.1
MVI 320-5/2	39.5	1003	68.1	1729	17.9	455	16.0	407	1062	482	60	364/5TSC	3	148-134/67.0

Dimensions and Weights											TEFC Motor Data			
Model	H ₁		H ₂		D ₁		D ₂		Weight		575V			
	Dimensions-inches (mm)										P2	Frame	Phase	FLA
	in	mm	in	(mm)	in	(mm)	in	(mm)	lbs	kg	[HP]		[~]	[A]
MVI 320-1/1	22.4	568	39.0	991	11.0	279	8.0	203	259	118	7.5	213/5TC	3	6.94
MVI 320-1	26.5	673	44.7	1135	11.0	279	8.0	203	309	140	15	254/6TC	3	9.2
MVI 320-2/2	29.7	755	47.9	1217	11.0	279	8.0	203	318	144	15	254/6TC	3	9.2
MVI 320-2/1	29.7	755	49.0	1246	13.2	335	9.4	240	379	172	20	254/6TC	3	18.2
MVI 320-2	29.7	755	53.0	1347	14.2	360	11.1	282	549	249	25	284/6TSC	3	23
MVI 320-3/2	33.0	838	56.3	1430	14.2	360	11.1	282	577	262	30	284/6TSC	3	27.4
MVI 320-3/1	33.0	838	58.8	1495	15.8	402	12.6	320	725	329	40	324/6TSC	3	37
MVI 320-3	33.0	838	58.8	1495	15.8	402	12.6	320	725	329	40	324/6TSC	3	37
MVI 320-4/2	36.2	920	62.1	1577	15.8	402	12.6	320	733	333	40	324/6TSC	3	37
MVI 320-4/1	36.2	920	62.1	1577	15.8	402	12.6	320	764	347	50	324/6TSC	3	44.9
MVI 320-4	36.2	920	62.1	1577	15.8	402	12.6	320	764	347	50	324/6TSC	3	44.9
MVI 320-5/2	39.5	1003	68.1	1729	17.9	455	16.0	407	1059	481	60	364/5TSC	3	53.6