

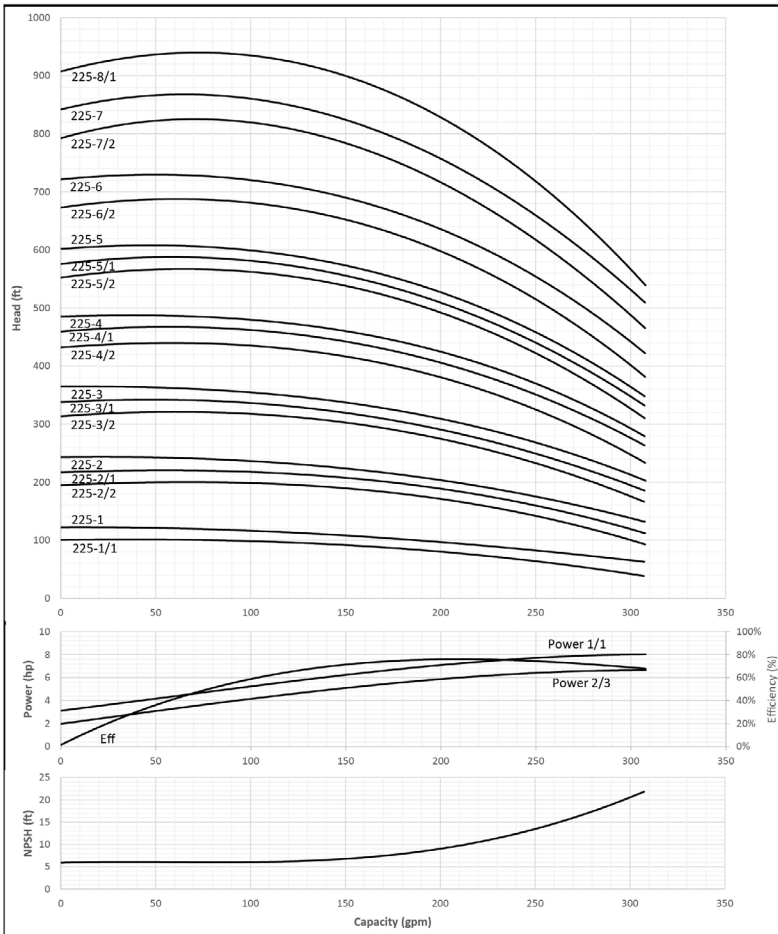
Submittal Data Sheet

MVI - Vertical Multistage Pumps



A WILO BRAND

MVI 225								
		Project:						
		Engineer:						
		Contractor:						
		Submitted By:				Date:		
		Approved By:				Date:		
Tag #	Model #	Flow	Head	HP	Cycle	Phase	Voltage	RPM
					60HZ			



Applications

- Water supply & pressure boosting
- Industrial circulation systems
- Cooling water circulation systems
- Process water
- Washing systems
- Irrigation

Materials of Construction

	AISI 304 Stainless Steel Model	AISI 316 stainless steel Model
Pump Volute, Impeller, Outer Sleeve, Cover, Seal Chamber	AISI 304 stainless steel	AISI 316 stainless steel
Shaft	AISI 431 stainless steel	AISI 316 stainless steel
Pedestal	ASTM 65-45-12 Cast Iron	
Flanges	ASTM 65-45-12 Cast Iron	
Baseplate	ASTM 25B Cast Iron	
Mechanical Seal	EPDM or Viton	
O-ring	EPDM or Viton	

Technical Data

Certification	NSF/ANSI 61 & 372 Certified
Liquid Temp Range	5 °F to 248 °F; determined by liquid type
Power Supply	1-115/208-230/460V, 3-208-230/460V, 3-575V
Ambient temperature	32 °F to 104 °F
Flange Connection	3" ANSI CLASS 150 for MVI 225-1/1 - 225-4/2 3" ANSI CLASS 300 for MVI 225-4/1 - 225-8/1
Max Operating Pressure	232 PSI for MVI 225-1/1 - MVI 225-4/2 435 PSI for MVI 225-4/1 - MVI 225-8/1
Protection Class	IP 55

Approval Stamp

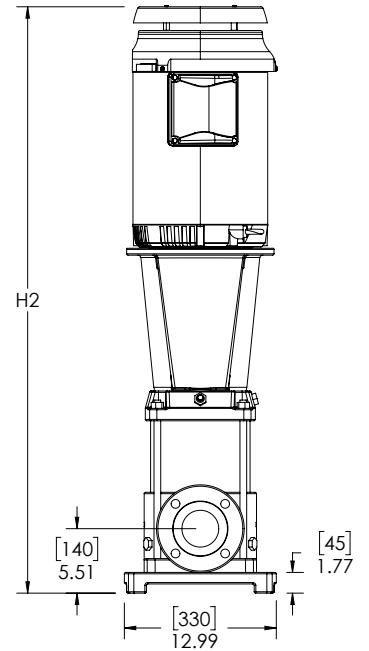
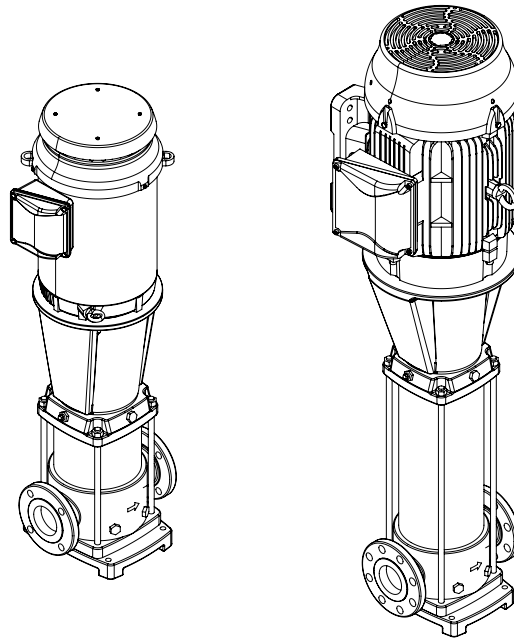
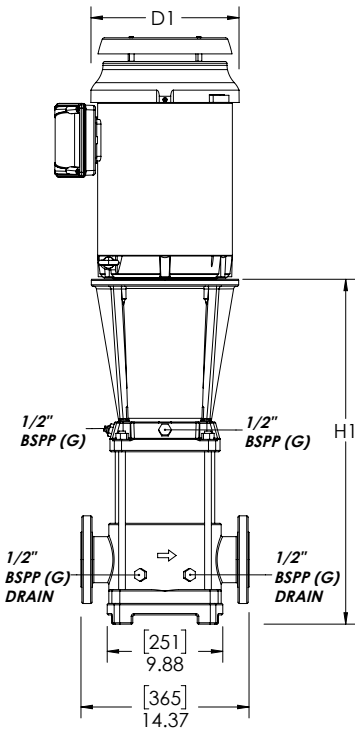
Submittal Data Sheet

MVI - Vertical Multistage Pumps



A WILO BRAND

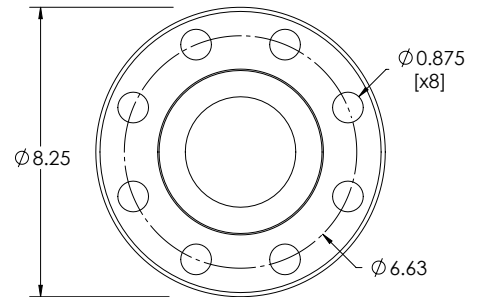
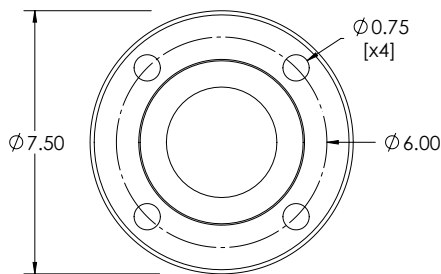
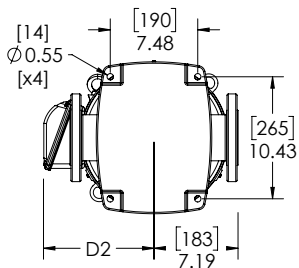
Dimensions, Weights & Electrical Data



note:
Refer to the flow arrow
on the pump volute
for the direction of flow.

MVI 225-1/1 - 225-4/2
3" - 150# ANSI
SUCTION &
DISCHARGE

MVI 225-4/1 - 225-8/1
3" - 300# ANSI
SUCTION &
DISCHARGE



Submittal Data Sheet

Scot MVI – Vertical Multistage Pumps



A WILO BRAND

Dimensions, Weights & Electrical Data

Dimensions and Weights											TEFC Motor Data			
Model	H ₁		H ₂		D ₁		D ₂		Weight		208-230/460 V			
	Dimensions-inches (mm)										P2	Frame	Phase	FLA
	in	mm	in	(mm)	in	(mm)	in	(mm)	lbs	kg	[HP]	[~]	[A]	
MVI 225-1/1	22.2	564	41.1	1044	11.0	279	8.0	203	269	122	7.5	213/5TC	3	19.2-17.3/8.67
MVI 225-1	22.2	564	41.1	1044	11.0	279	8.0	203	269	122	7.5	213/5TC	3	19.2-17.3/8.67
MVI 225-2/2	29.5	749	50.0	1271	13.2	335	9.4	240	346	157	15	254/6TC	3	38.5-34.8/17.4
MVI 225-2/1	29.5	749	50.0	1271	13.2	335	9.4	240	346	157	15	254/6TC	3	38.5-34.8/17.4
MVI 225-2	29.5	749	50.0	1271	13.2	335	9.4	240	346	157	15	254/6TC	3	38.5-34.8/17.4
MVI 225-3/2	32.6	829	54.1	1374	13.2	335	9.4	240	395	179	20	254/6TC	3	50.2-45.4/22.7
MVI 225-3/1	32.6	829	56.7	1441	14.2	360	11.1	282	555	252	25	284TSC	3	63.0-57.6/28.8
MVI 225-3	32.6	829	56.7	1441	14.2	360	11.1	282	555	252	25	284TSC	3	63.0-57.6/28.8
MVI 225-4/2	35.8	909	61.4	1559	14.2	360	11.1	282	583	265	30	286TSC	3	76.7-68.4/34.2
MVI 225-4/1	35.8	909	61.4	1559	14.2	360	11.1	282	583	265	30	286TSC	3	76.7-68.4/34.2
MVI 225-4	35.8	909	61.4	1559	14.2	360	11.1	282	583	265	30	286TSC	3	76.7-68.4/34.2
MVI 225-5/2	38.9	989	65.9	1675	15.8	402	12.6	320	718	326	40	324TSC	3	101-92.6/46.3
MVI 225-5/1	38.9	989	65.9	1675	15.8	402	12.6	320	718	326	40	324TSC	3	101-92.6/46.3
MVI 225-5	38.9	989	65.9	1675	15.8	402	12.6	320	718	326	40	324TSC	3	101-92.6/46.3
MVI 225-6/2	42.1	1069	67.9	1726	15.8	402	12.6	320	806	366	50	324/6TSC	3	124-112/56.1
MVI 225-6	42.1	1069	67.9	1726	15.8	402	12.6	320	806	366	50	324/6TSC	3	124-112/56.1
MVI 225-7/2	45.2	1149	71.1	1806	15.8	402	12.6	320	814	369	50	324/6TSC	3	124-112/56.1
MVI 225-7	45.2	1149	73.8	1875	17.9	455	16.0	407	1094	497	60	364/5TSC	3	148-134/67.0
MVI 225-8/1	48.4	1229	77.0	1955	17.9	455	16.0	407	1101	500	60	364/5TSC	3	148-134/67.0

Dimensions and Weights											TEFC Motor Data			
Model	H ₁		H ₂		D ₁		D ₂		Weight		575V			
	Dimensions-inches (mm)										P2	Frame	Phase	FLA
	in	mm	in	(mm)	in	(mm)	in	(mm)	lbs	kg	[HP]	[~]	[A]	
MVI 225-1/1	22.2	564	38.8	987	11.0	279	8.0	203	269	122	7.5	213/5TC	3	6.94
MVI 225-1	22.2	564	38.8	987	11.0	279	8.0	203	269	122	7.5	213/5TC	3	6.94
MVI 225-2/2	29.5	749	47.7	1211	11.0	279	8.0	203	327	148	15	254/6TC	3	9.2
MVI 225-2/1	29.5	749	47.7	1211	11.0	279	8.0	203	327	148	15	254/6TC	3	9.2
MVI 225-2	29.5	749	47.7	1211	11.0	279	8.0	203	327	148	15	254/6TC	3	9.2
MVI 225-3/2	32.6	829	51.9	1319	13.2	335	9.4	240	396	180	20	254/6TC	3	18.2
MVI 225-3/1	32.6	829	55.9	1421	14.2	360	11.1	282	566	257	25	284/6TSC	3	23
MVI 225-3	32.6	829	55.9	1421	14.2	360	11.1	282	566	257	25	284/6TSC	3	23
MVI 225-4/2	35.8	909	59.1	1501	14.2	360	11.1	282	593	269	30	284/6TSC	3	27.4
MVI 225-4/1	35.8	909	59.1	1501	14.2	360	11.1	282	593	269	30	284/6TSC	3	27.4
MVI 225-4	35.8	909	59.1	1501	14.2	360	11.1	282	593	269	30	284/6TSC	3	27.4
MVI 225-5/2	38.9	989	64.8	1646	15.8	402	12.6	320	749	340	40	324/6TSC	3	37
MVI 225-5/1	38.9	989	64.8	1646	15.8	402	12.6	320	749	340	40	324/6TSC	3	37
MVI 225-5	38.9	989	64.8	1646	15.8	402	12.6	320	749	340	40	324/6TSC	3	37
MVI 225-6/2	42.1	1069	67.9	1726	15.8	402	12.6	320	788	358	50	324/6TSC	3	44.9
MVI 225-6	42.1	1069	67.9	1726	15.8	402	12.6	320	788	358	50	324/6TSC	3	44.9
MVI 225-7/2	45.2	1149	71.1	1806	15.8	402	12.6	320	796	361	50	324/6TSC	3	44.9
MVI 225-7	45.2	1149	73.8	1875	17.9	455	16.0	407	1091	495	60	364/5TSC	3	53.6
MVI 225-8/1	48.4	1229	77.0	1955	17.9	455	16.0	407	1098	498	60	364/5TSC	3	53.6