

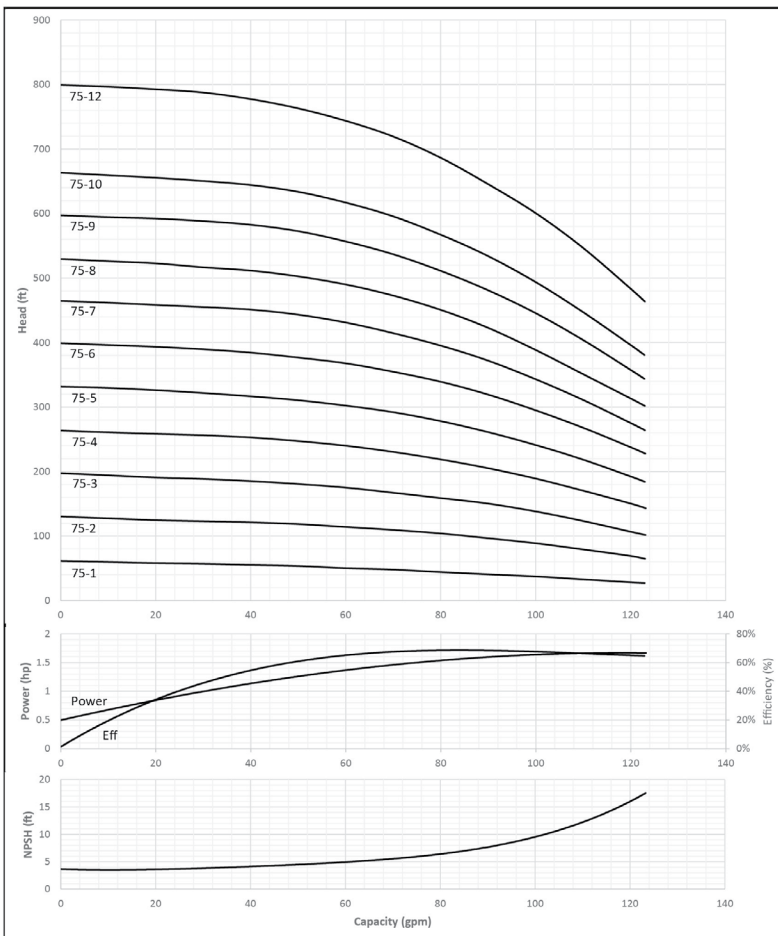
Submittal Data Sheet

MVI - Vertical Multistage Pumps



A WILO BRAND

MVI 75								
		Project:						
		Engineer:						
		Contractor:						
		Submitted By:				Date:		
		Approved By:				Date:		
Tag #	Model #	Flow	Head	HP	Cycle	Phase	Voltage	RPM
					60HZ			



Applications

- Water supply & pressure boosting
- Industrial circulation systems
- Cooling water circulation systems
- Process water
- Washing systems
- Irrigation

Materials of Construction

	AISI 304 Stainless Steel Model	AISI 316 stainless steel Model
Pump Volute, Impeller, Outer Sleeve, Cover, Seal Chamber	AISI 304 stainless steel	AISI 316 stainless steel
Shaft	AISI 431 stainless steel	AISI 316 stainless steel
Pedestal	ASTM 65-45-12 Cast Iron	
Flanges	ASTM 65-45-12 Cast Iron	
Baseplate	ASTM 25B Cast Iron	
Mechanical Seal	EPDM or Viton	
O-ring	EPDM or Viton	

Technical Data

Certification	NSF/ANSI 61 & 372 Certified
Liquid Temp Range	5 °F to 248 °F; determined by liquid type
Power Supply	1~115/208-230/460V, 3~208-230/460V, 3~575V
Ambient temperature	32 °F to 104 °F
Flange Connection	2" ANSI CLASS 300
Max Operating Pressure	232 PSI for MVI 75-1 - MVI 75-8 363 PSI for MVI 75-9 - MVI 75-12
Protection Class	IP 55

Approval Stamp

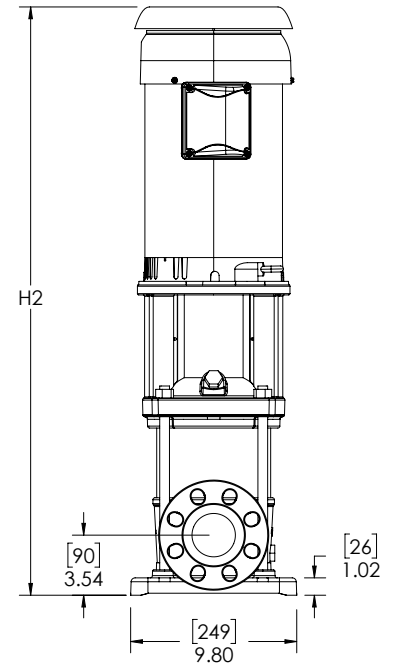
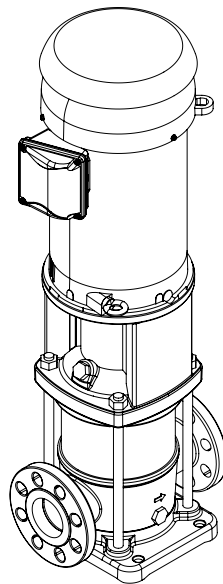
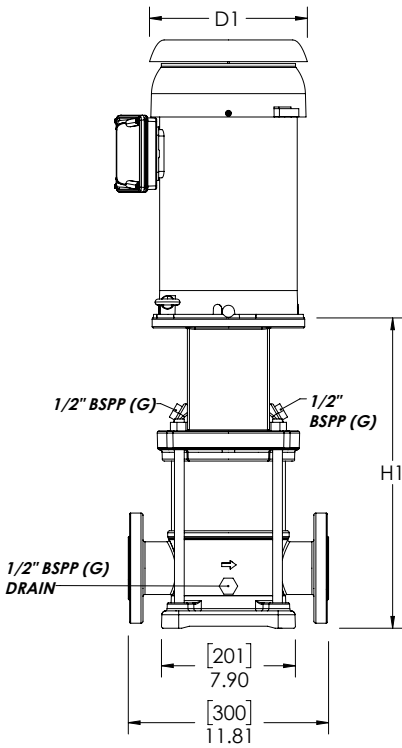
Submittal Data Sheet

MVI - Vertical Multistage Pumps



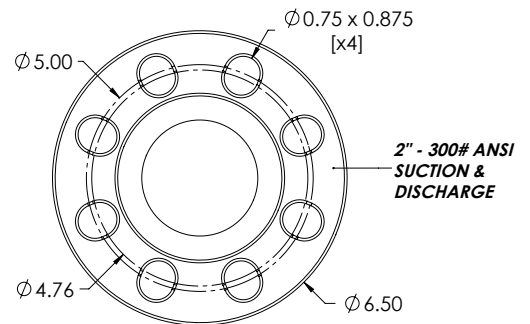
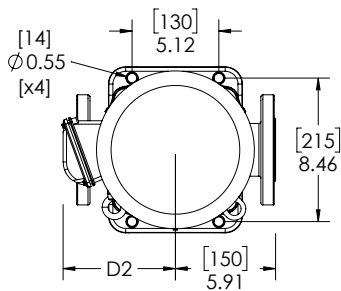
A WILO BRAND

Dimensions, Weights & Electrical Data



note:
Direction of flow
is from left to right
when viewing the
drain port.

Refer to the flow arrow
on the pump volute.



Submittal Data Sheet

Scot MVI – Vertical Multistage Pumps



A WILO BRAND

Dimensions, Weights & Electrical Data

Dimensions and Weights

Model	H ₁		H ₂		D ₁		D ₂		Weight	
	in	mm	in	(mm)	in	(mm)	in	(mm)	lbs	kg
	Dimensions—inches (mm)									
MVI 75-1	16.1	409	28.3	720	7.6	194	5.9	149	101	46

TEFC Motor Data

115/208-230			
P2	Frame	Phase	FLA
[HP]		[~]	[A]
2	56C	1	17.5/9.62-8.73

Dimensions and Weights

Model	H ₁		H ₂		D ₁		D ₂		Weight	
	in	mm	in	(mm)	in	(mm)	in	(mm)	lbs	kg
	Dimensions—inches (mm)									
MVI 75-1	16.1	409	27.9	710	7.6	194	5.9	149	100	45
MVI 75-2	17.1	435	33.6	852	10.1	256	6.7	170	175	80
MVI 75-3	18.3	465	34.7	882	10.1	256	6.7	170	178	81
MVI 75-4	21.2	539	40.1	1019	11.0	279	8.0	203	241	109
MVI 75-5	23.0	584	43.4	1102	11.0	279	8.0	203	269	122
MVI 75-6	24.1	611	44.5	1130	11.0	279	8.0	203	272	123
MVI 75-7	29.2	741	49.7	1262	13.2	335	9.4	240	308	140
MVI 75-8	30.9	786	51.5	1307	13.2	335	9.4	240	311	141
MVI 75-9	32.7	831	53.2	1352	13.2	335	9.4	240	315	143
MVI 75-10	34.5	876	55.9	1420	13.2	335	9.4	240	359	163
MVI 75-12	37.3	946	61.3	1558	14.2	360	11.1	282	517	235

TEFC Motor Data

208-230/460 V			
P2	Frame	Phase	FLA
[HP]		[~]	[A]
2	56C	3	5.46-4.94/2.47
5	182/4TC	3	13.1-11.8/5.90
5	182/4TC	3	13.1-11.8/5.90
7.5	213/5TC	3	19.2-17.3/8.67
10	213/5TC	3	25.4-23.0/11.5
10	213/5TC	3	25.4-23.0/11.5
15	254/6TC	3	38.5-34.8/17.4
15	254/6TC	3	38.5-34.8/17.4
15	254/6TC	3	38.5-34.8/17.4
20	254/6TC	3	50.2-45.4/22.7
25	284TSC	3	63.0-57.6/28.8

Dimensions and Weights

Model	H ₁		H ₂		D ₁		D ₂		Weight	
	in	mm	in	(mm)	in	(mm)	in	(mm)	lbs	kg
	Dimensions—inches (mm)									
MVI 75-1	16.1	409	27.9	710	7.6	194	5.9	149	101	46
MVI 75-2	17.1	435	31.6	802	8.9	226	7.6	192	179	81
MVI 75-3	18.3	465	32.8	832	8.9	226	7.6	192	182	83
MVI 75-4	21.2	539	37.9	962	11.0	279	8.0	203	241	109
MVI 75-5	23.0	584	41.2	1046	11.0	279	8.0	203	273	124
MVI 75-6	24.1	611	42.3	1073	11.0	279	8.0	203	276	125
MVI 75-7	29.2	741	47.4	1203	11.0	279	8.0	203	289	131
MVI 75-8	30.9	786	49.1	1248	11.0	279	8.0	203	292	133
MVI 75-9	32.7	831	50.9	1293	11.0	279	8.0	203	296	134
MVI 75-10	34.5	876	53.8	1366	13.2	335	9.4	240	360	163
MVI 75-12	37.3	946	60.6	1538	14.2	360	11.1	282	528	240

TEFC Motor Data

575V			
P2	Frame	Phase	FLA
[HP]		[~]	[A]
2	56C	3	1.98
5	184TC	3	4.72
5	184TC	3	4.72
7.5	213/5TC	3	6.94
10	213/5TC	3	9.2
10	213/5TC	3	9.2
15	254/6TC	3	9.2
15	254/6TC	3	9.2
15	254/6TC	3	9.2
20	254/6TC	3	18.2
25	284/6TSC	3	23