


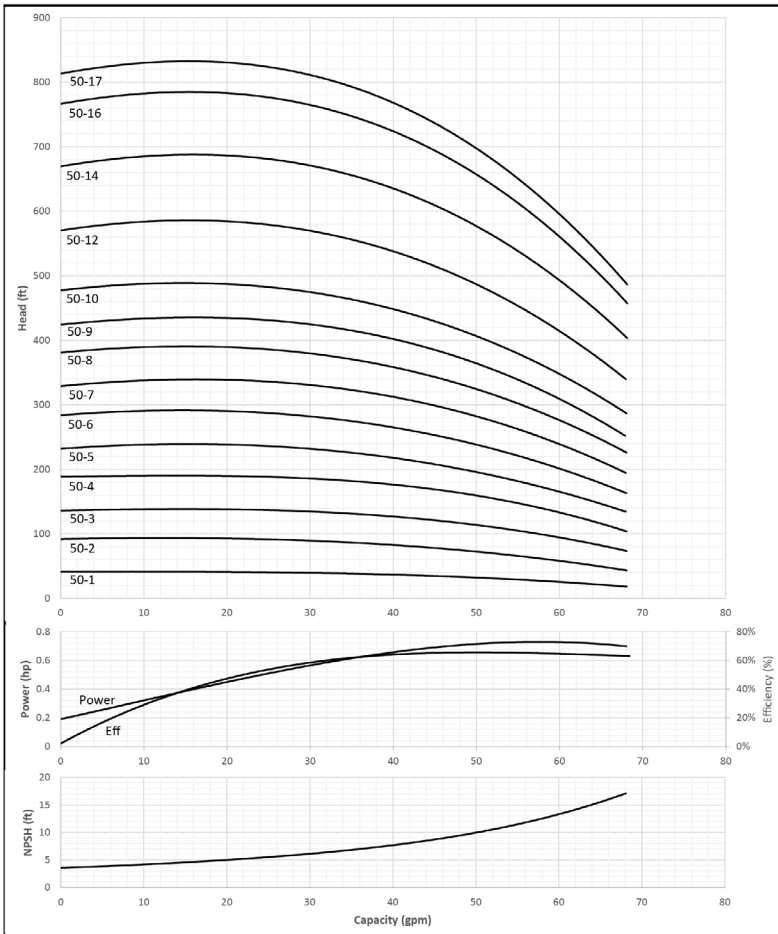
# Submittal Data Sheet

## MVI - Vertical Multistage Pumps



A WILO BRAND

MVI 50								
		Project:						
		Engineer:						
		Contractor:						
		Submitted By:				Date:		
		Approved By:				Date:		
Tag #	Model #	Flow	Head	HP	Cycle	Phase	Voltage	RPM
					60HZ			



### Applications

- Water supply & pressure boosting
- Industrial circulation systems
- Cooling water circulation systems
- Process water
- Washing systems
- Irrigation

### Materials of Construction

	AISI 304 Stainless Steel Model	AISI 316 stainless steel Model
Pump Volute, Impeller, Outer Sleeve, Cover, Seal Chamber	AISI 304 stainless steel	AISI 316 stainless steel
Shaft	AISI 431 stainless steel	AISI 316 stainless steel
Pedestal	ASTM 65-45-12 Cast Iron	
Flanges	ASTM 65-45-12 Cast Iron	
Baseplate	ASTM 25B Cast Iron	
Mechanical Seal	EPDM or Viton	
O-ring	EPDM or Viton	

### Technical Data

Certification	NSF/ANSI 61 & 372 Certified
Liquid Temp Range	5 °F to 248 °F; determined by liquid type
Power Supply	1-115/208-230/460V, 3-208-230/460V, 3-575V
Ambient temperature	32 °F to 104 °F
Flange Connection	2" ANSI CLASS 300
Max Operating Pressure	232 PSI for MVI 50-1 - MVI 50-10 363 PSI for MVI 50-12 - MVI 50-17
Protection Class	IP 55

Approval Stamp

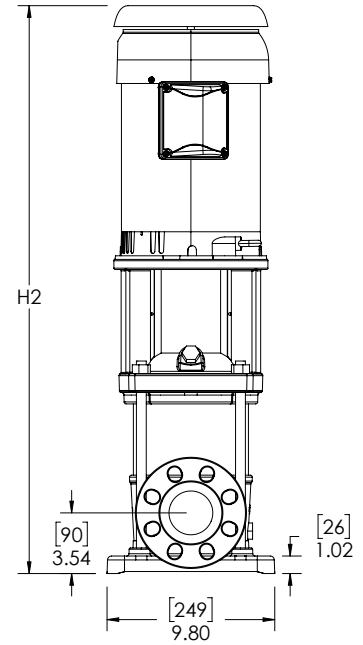
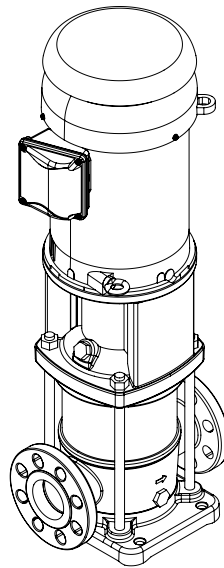
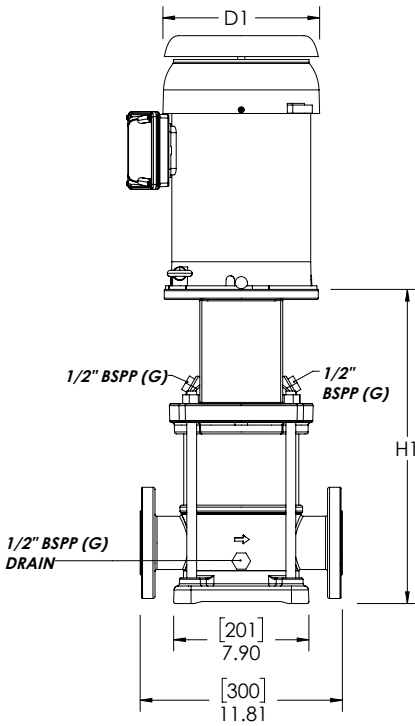
# Submittal Data Sheet

## MVI - Vertical Multistage Pumps



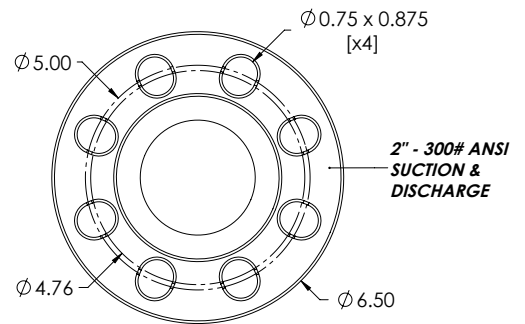
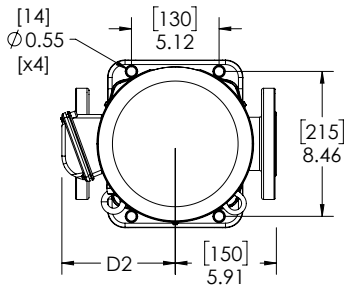
A WILO BRAND

### Dimensions, Weights & Electrical Data



**note:**  
 Direction of flow  
 is from left to right  
 when viewing the  
 drain port.

Refer to the flow arrow  
 on the pump volute.



# Submittal Data Sheet

## Scot MVI – Vertical Multistage Pumps



A WILO BRAND

### Dimensions, Weights & Electrical Data

Dimensions and Weights										
Model	H <sub>1</sub>		H <sub>2</sub>		D <sub>1</sub>		D <sub>2</sub>		Weight	
	Dimensions-inches (mm)									
	in	mm	in	(mm)	in	(mm)	in	(mm)	lbs	kg
MVI 50-1	15.0	380	25.6	650	7.6	194	5.9	149	87	40
MVI 50-2	15.0	380	26.8	681	7.6	194	5.9	149	95	43
MVI 50-3	17.2	436	30.8	783	8.6	218	6.9	174	157	71
MVI 50-4	18.4	466	32.0	813	8.6	218	6.9	174	160	73

TEFC Motor Data			
115/208-230			
P2	Frame	Phase	FLA
[HP]		[-]	[A]
0.75	56C	1	8.0/4.42-4.0
1.5	56C	1	13.2/7.3-6.6
3	182TC	1	29/15-14.5
3	182TC	1	29/15-14.5

Dimensions and Weights										
Model	H <sub>1</sub>		H <sub>2</sub>		D <sub>1</sub>		D <sub>2</sub>		Weight	
	Dimensions-inches (mm)									
	in	mm	in	(mm)	in	(mm)	in	(mm)	lbs	kg
MVI 50-1	15.0	380	24.4	621	7.6	194	5.9	149	80	36
MVI 50-2	15.0	380	26.0	661	7.6	194	5.9	149	93	42
MVI 50-3	17.2	436	32.0	813	10.1	256	6.7	170	160	73
MVI 50-4	18.4	466	33.2	843	10.1	256	6.7	170	163	74
MVI 50-5	19.5	496	36.0	913	10.1	256	6.7	170	180	82
MVI 50-6	20.7	526	37.1	943	10.1	256	6.7	170	182	83
MVI 50-7	21.3	540	37.7	957	10.1	256	6.7	170	184	84
MVI 50-8	23.6	600	42.5	1080	11.0	279	8.0	203	247	112
MVI 50-9	24.8	630	43.7	1110	11.0	279	8.0	203	249	113
MVI 50-10	26.0	660	44.9	1140	11.0	279	8.0	203	251	114
MVI 50-12	28.3	720	48.7	1238	11.0	279	8.0	203	280	127
MVI 50-14	30.0	762	50.4	1280	11.0	279	8.0	203	285	129
MVI 50-16	35.7	907	56.2	1428	13.2	335	9.4	240	322	146
MVI 50-17	36.9	937	57.4	1459	13.2	335	9.4	240	325	148

TEFC Motor Data			
208-230/460 V			
P2	Frame	Phase	FLA
[HP]		[-]	[A]
0.75	56C	3	2.50-2.26/1.13
1.5	56C	3	4.13-3.74/1.87
3	182/4TC	3	8.12-7.34/3.67
3	182/4TC	3	8.12-7.34/3.67
5	182/4TC	3	13.1-11.8/5.90
5	182/4TC	3	13.1-11.8/5.90
5	182/4TC	3	13.1-11.8/5.90
7.5	213/5TC	3	19.2-17.3/8.67
7.5	213/5TC	3	19.2-17.3/8.67
7.5	213/5TC	3	19.2-17.3/8.67
10	213/5TC	3	25.4-23.0/11.5
10	213/5TC	3	25.4-23.0/11.5
15	254/6TC	3	38.5-34.8/17.4
15	254/6TC	3	38.5-34.8/17.4

Dimensions and Weights										
Model	H <sub>1</sub>		H <sub>2</sub>		D <sub>1</sub>		D <sub>2</sub>		Weight	
	Dimensions-inches (mm)									
	in	mm	in	(mm)	in	(mm)	in	(mm)	lbs	kg
MVI 50-1	15.0	380	24.4	621	7.6	194	5.9	149	81	37
MVI 50-2	15.0	380	26.0	661	7.6	194	5.9	149	93	42
MVI 50-3	17.2	436	30.2	766	8.9	226	7.6	192	176	80
MVI 50-4	18.4	466	31.4	797	8.9	226	7.6	192	179	81
MVI 50-5	19.5	496	34.0	863	8.9	226	7.6	192	184	84
MVI 50-6	20.7	526	35.2	893	8.9	226	7.6	192	186	85
MVI 50-7	21.3	540	35.7	907	8.9	226	7.6	192	188	85
MVI 50-8	23.6	600	40.3	1023	11.0	279	8.0	203	247	112
MVI 50-9	24.8	630	41.4	1053	11.0	279	8.0	203	249	113
MVI 50-10	26.0	660	42.6	1083	11.0	279	8.0	203	251	114
MVI 50-12	28.3	720	46.5	1182	11.0	279	8.0	203	284	129
MVI 50-14	30.0	762	48.2	1224	11.0	279	8.0	203	289	131
MVI 50-16	35.7	907	53.9	1369	11.0	279	8.0	203	303	138
MVI 50-17	36.9	937	55.1	1399	11.0	279	8.0	203	306	139

TEFC Motor Data			
575V			
P2	Frame	Phase	FLA
[HP]		[-]	[A]
0.75	56C	3	0.904
1.5	56C	3	1.5
3	182/4TC	3	2.9
3	182/4TC	3	2.9
5	184TC	3	4.72
5	184TC	3	4.72
5	184TC	3	4.72
7.5	213/5TC	3	6.94
7.5	213/5TC	3	6.94
7.5	213/5TC	3	6.94
10	213/5TC	3	9.2
10	213/5TC	3	9.2
15	254/6TC	3	9.2
15	254/6TC	3	9.2