


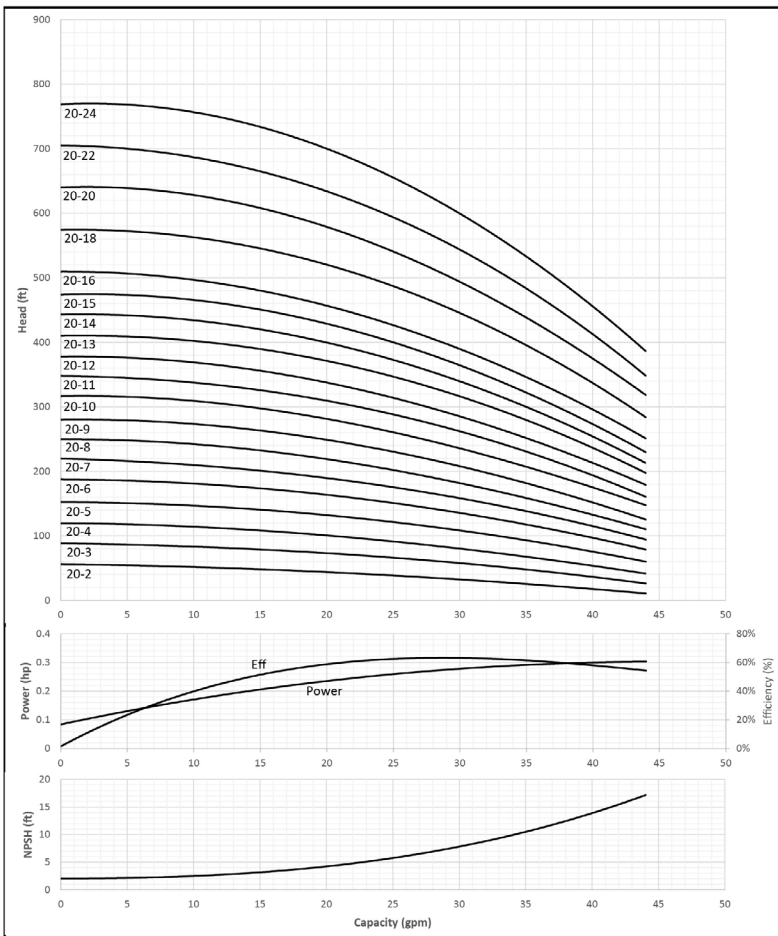
Submittal Data Sheet

MVI - Vertical Multistage Pumps



A WILO BRAND

MVI 20								
		Project:						
		Engineer:						
		Contractor:						
		Submitted By:				Date:		
		Approved By:				Date:		
Tag #	Model #	Flow	Head	HP	Cycle	Phase	Voltage	RPM
					60HZ			



Applications	
• Water supply & pressure boosting	• Industrial circulation systems
• Cooling water circulation systems	• Process water
• Washing systems	• Irrigation

Materials of Construction		
	AISI 304 Stainless Steel Model	AISI 316 stainless steel Model
Pump Volute, Impeller, Outer Sleeve, Cover, Seal Chamber	AISI 304 stainless steel	AISI 316 stainless steel
Shaft	AISI 431 stainless steel	AISI 316 stainless steel
Pedestal	ASTM 65-45-12 Cast Iron	
Flanges	ASTM 65-45-12 Cast Iron	
Baseplate	ASTM 25B Cast Iron	
Mechanical Seal	EPDM or Viton	
O-ring	EPDM or Viton	

Technical Data	
Certification	NSF/ANSI 61 & 372 Certified
Liquid Temp Range	5 °F to 248 °F; determined by liquid type
Power Supply	1~115/208-230/460V, 3~208-230/460V, 3~575V
Ambient temperature	32 °F to 104 °F
Flange Connection	1-1/4" ANSI CLASS 300
Max Operating Pressure	363 PSI
Protection Class	IP 55

Approval Stamp

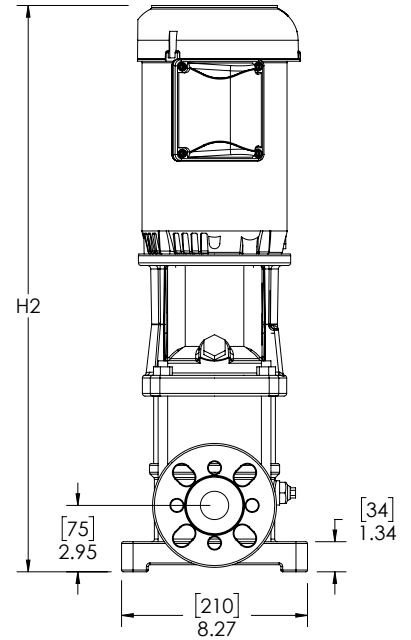
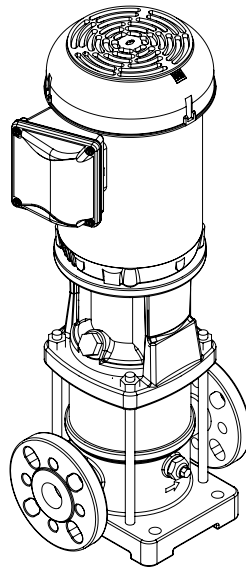
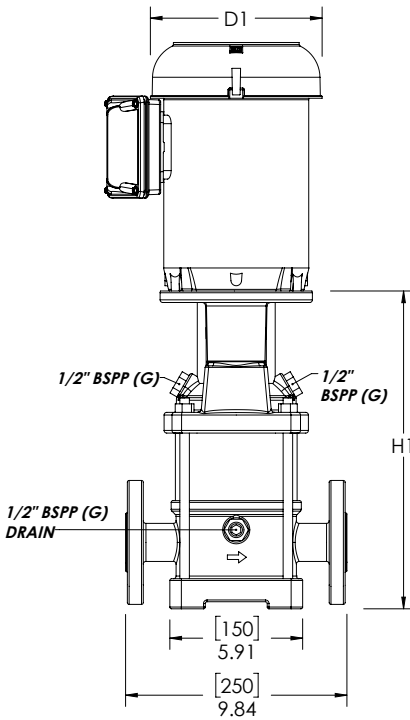
Submittal Data Sheet

MVI - Vertical Multistage Pumps



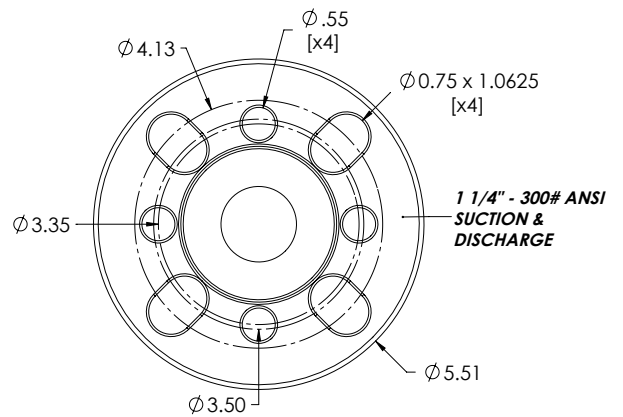
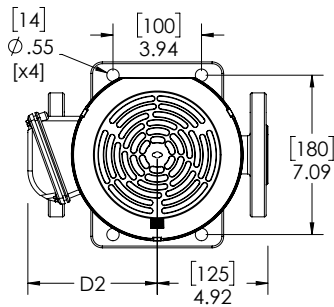
A WILO BRAND

Dimensions, Weights & Electrical Data



note:
 Direction of flow
 is from left to right
 when viewing the
 drain port.

**Refer to the flow arrow
 on the pump volute.**



Submittal Data Sheet

Scot MVI – Vertical Multistage Pumps



A WILO BRAND

Dimensions, Weights & Electrical Data

Dimensions and Weights											TEFC Motor Data			
Model	H ₁		H ₂		D ₁		D ₂		Weight		115/208-230			
	Dimensions-inches (mm)										P2	Frame	Phase	FLA
	in	mm	in	(mm)	in	(mm)	in	(mm)	lbs	kg	[HP]	[~]	[A]	
MVI 20-2	12.0	305	22.6	575	7.6	194	5.9	149	60	27	0.75	56C	1	8.0/4.42-4.0
MVI 20-3	13.1	333	24.2	613	7.6	194	5.9	149	66	30	1	56C	1	10.1/5.64-5.06
MVI 20-4	14.1	358	25.9	659	7.6	194	5.9	149	71	32	1.5	56C	1	13.2/7.3-6.6
MVI 20-5	15.2	386	27.0	687	7.6	194	5.9	149	72	33	1.5	56C	1	13.2/7.3-6.6
MVI 20-6	16.3	414	28.5	725	7.6	194	5.9	149	78	36	2	56C	1	17.5/9.62-8.73
MVI 20-7	17.4	442	29.6	753	7.6	194	5.9	149	79	36	2	56C	1	17.5/9.62-8.73
MVI 20-8	19.4	493	33.1	840	8.6	218	6.9	174	119	54	3	182TC	1	29/15-14.5
MVI 20-9	20.4	518	34.1	865	8.6	218	6.9	174	121	55	3	182TC	1	29/15-14.5
MVI 20-10	21.5	546	35.2	893	8.6	218	6.9	174	122	55	3	182TC	1	29/15-14.5

Dimensions and Weights											TEFC Motor Data			
Model	H ₁		H ₂		D ₁		D ₂		Weight		208-230/460 V			
	Dimensions-inches (mm)										P2	Frame	Phase	FLA
	in	mm	in	(mm)	in	(mm)	in	(mm)	lbs	kg	[HP]	[~]	[A]	
MVI 20-2	12.0	305	21.5	546	7.6	194	5.9	149	53	24	0.75	56C	3	2.50-2.26/1.13
MVI 20-3	13.1	333	22.2	563	6.7	170	5.5	140	56	25	1	56C	3	3.32-3.0/1.50
MVI 20-4	14.1	358	25.2	639	7.6	194	5.9	149	69	31	1.5	56C	3	4.13-3.74/1.87
MVI 20-5	15.2	386	26.3	667	7.6	194	5.9	149	70	32	1.5	56C	3	4.13-3.74/1.87
MVI 20-6	16.3	414	28.1	715	7.6	194	5.9	149	77	35	2	56C	3	5.46-4.94/2.47
MVI 20-7	17.4	442	29.2	743	7.6	194	5.9	149	78	35	2	56C	3	5.46-4.94/2.47
MVI 20-8	19.4	493	34.3	870	10.1	256	6.7	170	122	55	3	182/4TC	3	8.12-7.34/3.67
MVI 20-9	20.4	518	35.3	895	10.1	256	6.7	170	124	56	3	182/4TC	3	8.12-7.34/3.67
MVI 20-10	21.5	546	36.4	923	10.1	256	6.7	170	125	57	3	182/4TC	3	8.12-7.34/3.67
MVI 20-11	22.5	572	38.9	989	10.1	256	6.7	170	141	64	5	182/4TC	3	13.1-11.8/5.90
MVI 20-12	23.6	599	40.0	1017	10.1	256	6.7	170	142	65	5	182/4TC	3	13.1-11.8/5.90
MVI 20-13	24.7	627	41.1	1044	10.1	256	6.7	170	143	65	5	182/4TC	3	13.1-11.8/5.90
MVI 20-14	25.7	653	42.1	1070	10.1	256	6.7	170	144	65	5	182/4TC	3	13.1-11.8/5.90
MVI 20-15	26.8	681	43.2	1098	10.1	256	6.7	170	146	66	5	182/4TC	3	13.1-11.8/5.90
MVI 20-16	27.9	709	44.3	1126	10.1	256	6.7	170	147	67	5	182/4TC	3	13.1-11.8/5.90
MVI 20-18	30.6	777	49.5	1257	11.0	279	8.0	203	207	94	7.5	213/5TC	3	19.2-17.3/8.67
MVI 20-20	32.7	831	51.6	1311	11.0	279	8.0	203	210	95	7.5	213/5TC	3	19.2-17.3/8.67
MVI 20-22	34.8	884	53.7	1364	11.0	279	8.0	203	212	96	7.5	213/5TC	3	19.2-17.3/8.67
MVI 20-24	36.9	937	55.8	1417	11.0	279	8.0	203	214	97	7.5	213/5TC	3	19.2-17.3/8.67

Submittal Data Sheet

Scot MVI – Vertical Multistage Pumps



A WILO BRAND

Dimensions, Weights & Electrical Data

Dimensions and Weights											TEFC Motor Data			
Model	H ₁		H ₂		D ₁		D ₂		Weight		P2	Frame	Phase	575V FLA
	in	mm	in	(mm)	in	(mm)	in	(mm)	lbs	kg	[HP]		[-]	[A]
MVI 20-2	12.0	305	21.5	546	7.6	194	5.9	149	54	24	0.75	56C	3	0.904
MVI 20-3	13.1	333	22.2	563	6.7	170	5.5	140	57	26	1	W56C	3	1.2
MVI 20-4	14.1	358	25.2	639	7.6	194	5.9	149	69	31	1.5	56C	3	1.5
MVI 20-5	15.2	386	26.3	667	7.6	194	5.9	149	70	32	1.5	56C	3	1.5
MVI 20-6	16.3	414	28.1	715	7.6	194	5.9	149	78	36	2	56C	3	1.98
MVI 20-7	17.4	442	29.2	743	7.6	194	5.9	149	79	36	2	56C	3	1.98
MVI 20-8	19.4	493	32.4	823	8.9	226	7.6	192	138	63	3	182/4TC	3	2.9
MVI 20-9	20.4	518	33.4	849	8.9	226	7.6	192	140	64	3	182/4TC	3	2.9
MVI 20-10	21.5	546	34.5	877	8.9	226	7.6	192	141	64	3	182/4TC	3	2.9
MVI 20-11	22.5	572	37.0	939	8.9	226	7.6	192	145	66	5	184TC	3	4.72
MVI 20-12	23.6	599	38.1	967	8.9	226	7.6	192	146	66	5	184TC	3	4.72
MVI 20-13	24.7	627	39.2	995	8.9	226	7.6	192	147	67	5	184TC	3	4.72
MVI 20-14	25.7	653	40.2	1020	8.9	226	7.6	192	148	67	5	184TC	3	4.72
MVI 20-15	26.8	681	41.3	1048	8.9	226	7.6	192	150	68	5	184TC	3	4.72
MVI 20-16	27.9	709	42.4	1076	8.9	226	7.6	192	151	69	5	184TC	3	4.72
MVI 20-18	30.6	777	47.2	1200	11.0	279	8.0	203	207	94	7.5	213/5TC	3	6.94
MVI 20-20	32.7	831	49.3	1253	11.0	279	8.0	203	210	95	7.5	213/5TC	3	6.94
MVI 20-22	34.8	884	51.4	1307	11.0	279	8.0	203	212	96	7.5	213/5TC	3	6.94
MVI 20-24	36.9	937	53.5	1360	11.0	279	8.0	203	214	97	7.5	213/5TC	3	6.94