


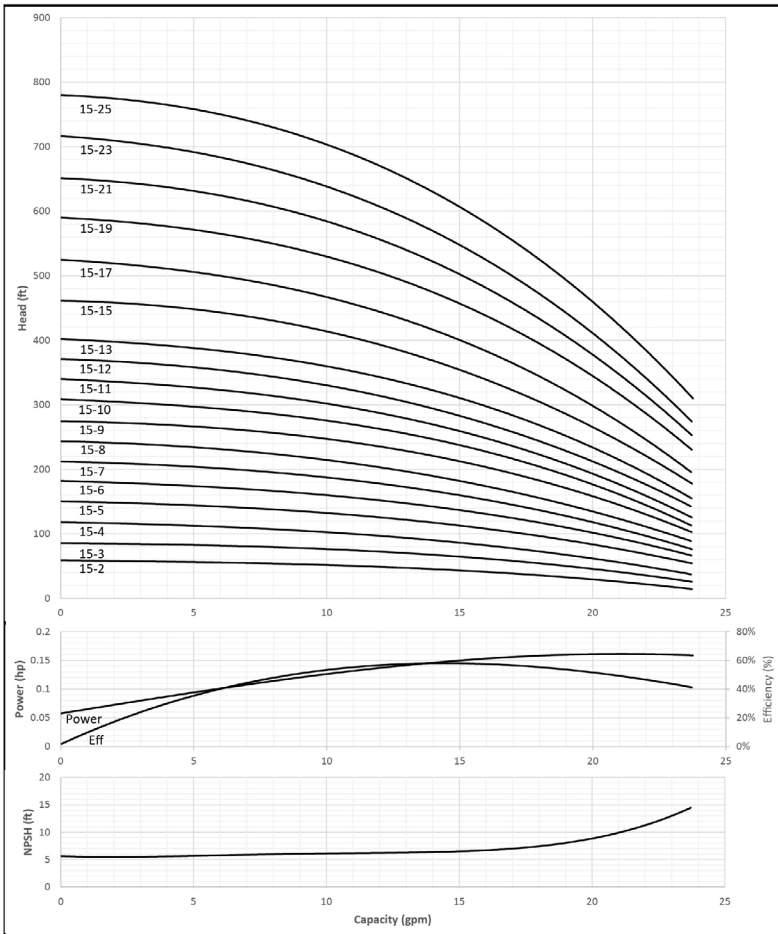
# Submittal Data Sheet

## MVI - Vertical Multistage Pumps



A WILO BRAND

MVI 15								
		Project:						
		Engineer:						
		Contractor:						
		Submitted By:				Date:		
		Approved By:				Date:		
Tag #	Model #	Flow	Head	HP	Cycle	Phase	Voltage	RPM
					60HZ			



### Applications

- Water supply & pressure boosting
- Industrial circulation systems
- Cooling water circulation systems
- Process water
- Washing systems
- Irrigation

### Materials of Construction

	AISI 304 Stainless Steel Model	AISI 316 stainless steel Model
Pump Volute, Impeller, Outer Sleeve, Cover, Seal Chamber	AISI 304 stainless steel	AISI 316 stainless steel
Shaft	AISI 431 stainless steel	AISI 316 stainless steel
Pedestal	ASTM 65-45-12 Cast Iron	
Flanges	ASTM 65-45-12 Cast Iron	
Baseplate	ASTM 25B Cast Iron	
Mechanical Seal	EPDM or Viton	
O-ring	EPDM or Viton	

### Technical Data

Certification	NSF/ANSI 61 & 372 Certified
Liquid Temp Range	5 °F to 248 °F; determined by liquid type
Power Supply	1-115/208-230/460V, 3-208-230/460V, 3-575V
Ambient temperature	32 °F to 104 °F
Flange Connection	1-1/4" ANSI CLASS 300
Max Operating Pressure	363 PSI
Protection Class	IP 55

Approval Stamp

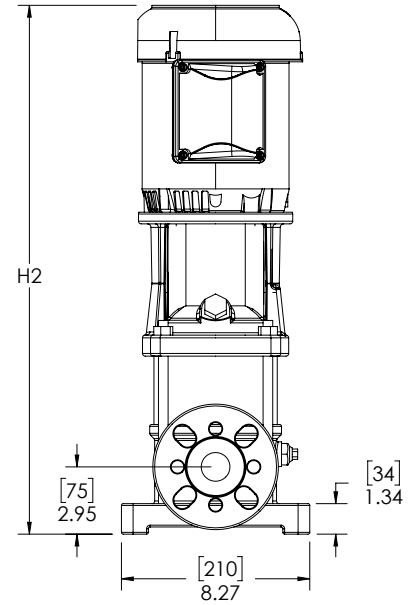
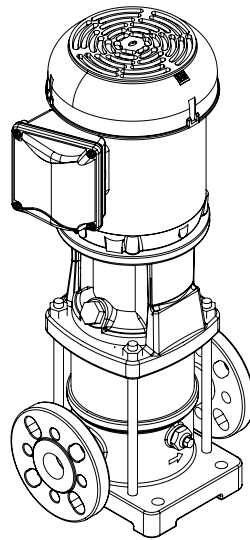
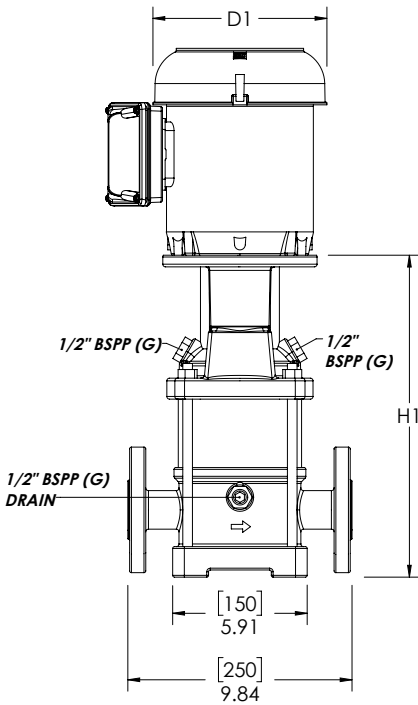
# Submittal Data Sheet

## MVI - Vertical Multistage Pumps



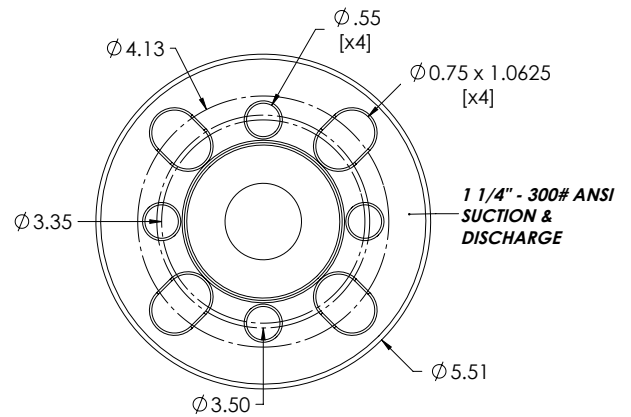
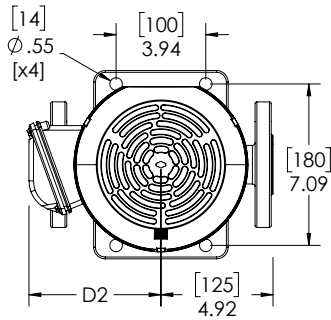
A WILO BRAND

### Dimensions, Weights & Electrical Data



**note:**  
Direction of flow  
is from left to right  
when viewing the  
drain port.

Refer to the flow arrow  
on the pump volute.



# Submittal Data Sheet

## Scot MVI – Vertical Multistage Pumps



A WILO BRAND

### Dimensions, Weights & Electrical Data

Dimensions and Weights											TEFC Motor Data			
Model	H <sub>1</sub>		H <sub>2</sub>		D <sub>1</sub>		D <sub>2</sub>		Weight		115/208-230			
	Dimensions-inches (mm)										P2	Frame	Phase	FLA
	in	mm	in	(mm)	in	(mm)	in	(mm)	lbs	kg	[HP]	[~]	[A]	
MVI 15-2	12.1	306	21.1	536	6.7	170	5.5	140	53	24	0.3	56C	1	5.20/2.88-2.60
MVI 15-3	12.1	306	21.5	546	6.7	170	5.5	140	55	25	0.5	56C	1	7.0/3.87-3.50
MVI 15-4	12.8	324	23.4	594	7.6	194	5.9	149	62	28	0.75	56C	1	8.0/4.42-4.0
MVI 15-5	13.4	341	24.1	611	7.6	194	5.9	149	62	28	0.75	56C	1	8.0/4.42-4.0
MVI 15-6	14.1	359	25.2	640	7.6	194	5.9	149	67	30	1	56C	1	10.1/5.64-5.06
MVI 15-7	14.8	377	26.7	678	7.6	194	5.9	149	72	33	1.5	56C	1	13.2/7.3-6.6
MVI 15-8	15.6	395	27.4	696	7.6	194	5.9	149	73	33	1.5	56C	1	13.2/7.3-6.6
MVI 15-9	16.3	414	28.1	715	7.6	194	5.9	149	73	33	1.5	56C	1	13.2/7.3-6.6
MVI 15-10	17.0	432	29.2	743	7.6	194	5.9	149	79	36	2	56C	1	17.5/9.62-8.73
MVI 15-11	17.7	450	30.0	761	7.6	194	5.9	149	80	36	2	56C	1	17.5/9.62-8.73
MVI 15-12	18.4	468	30.7	779	7.6	194	5.9	149	81	37	2	56C	1	17.5/9.62-8.73
MVI 15-13	20.1	510	33.7	857	8.6	218	6.9	174	121	55	3	182TC	1	29/15-14.5
MVI 15-15	21.5	546	35.2	893	8.6	218	6.9	174	122	55	3	182TC	1	29/15-14.5
MVI 15-17	22.9	581	36.6	929	8.6	218	6.9	174	124	56	3	182TC	1	29/15-14.5
MVI 15-19	24.5	622	38.2	970	8.6	218	6.9	174	125	57	3	182TC	1	29/15-14.5

Dimensions and Weights											TEFC Motor Data			
Model	H <sub>1</sub>		H <sub>2</sub>		D <sub>1</sub>		D <sub>2</sub>		Weight		208-230/460 V			
	Dimensions-inches (mm)										P2	Frame	Phase	FLA
	in	mm	in	(mm)	in	(mm)	in	(mm)	lbs	kg	[HP]	[~]	[A]	
MVI 15-2	12.1	306	21.1	537	7.6	194	5.9	149	52	23	0.3	56C	3	1.33-1.20/0.602
MVI 15-3	12.1	306	21.5	547	7.7	195	5.9	149	53	24	0.5	56C	3	1.86-1.69/0.843
MVI 15-4	12.8	324	22.2	565	7.6	194	5.9	149	55	25	0.75	56C	3	2.50-2.26/1.13
MVI 15-5	13.4	341	22.9	582	7.6	194	5.9	149	55	25	0.75	56C	3	2.50-2.26/1.13
MVI 15-6	14.1	359	23.2	590	6.7	170	5.5	140	57	26	1	56C	3	3.32-3.0/1.50
MVI 15-7	14.8	377	25.9	658	7.6	194	5.9	149	70	32	1.5	56C	3	4.13-3.74/1.87
MVI 15-8	15.6	395	26.6	676	7.6	194	5.9	149	71	32	1.5	56C	3	4.13-3.74/1.87
MVI 15-9	16.3	414	27.4	695	7.6	194	5.9	149	71	32	1.5	56C	3	4.13-3.74/1.87
MVI 15-10	17.0	432	28.9	733	7.6	194	5.9	149	78	35	2	56C	3	5.46-4.94/2.47
MVI 15-11	17.7	450	29.6	751	7.6	194	5.9	149	79	36	2	56C	3	5.46-4.94/2.47
MVI 15-12	18.4	468	30.3	769	7.6	194	5.9	149	80	36	2	56C	3	5.46-4.94/2.47
MVI 15-13	20.1	510	34.9	887	10.1	256	6.7	170	124	56	3	182/4TC	3	8.12-7.34/3.67
MVI 15-15	21.5	546	36.3	923	10.1	256	6.7	170	125	57	3	182/4TC	3	8.12-7.34/3.67
MVI 15-17	22.9	581	37.7	959	10.1	256	6.7	170	127	58	3	182/4TC	3	8.12-7.34/3.67
MVI 15-19	24.5	622	39.4	999	10.1	256	6.7	170	128	58	3	182/4TC	3	8.12-7.34/3.67
MVI 15-21	25.7	654	42.2	1071	10.1	256	6.7	170	145	66	5	182/4TC	3	13.1-11.8/5.90
MVI 15-23	27.2	690	43.6	1107	10.1	256	6.7	170	147	67	5	182/4TC	3	13.1-11.8/5.90
MVI 15-25	28.6	725	45.0	1142	10.1	256	6.7	170	148	67	5	182/4TC	3	13.1-11.8/5.90

# Submittal Data Sheet

## Scot MVI – Vertical Multistage Pumps



A WILO BRAND

### Dimensions, Weights & Electrical Data

Dimensions and Weights											TEFC Motor Data			
Model	H <sub>1</sub>		H <sub>2</sub>		D <sub>1</sub>		D <sub>2</sub>		Weight		P2	Frame	Phase	575V
	in	mm	in	(mm)	in	(mm)	in	(mm)	lbs	kg				FLA
	Dimensions—inches (mm)													[HP]
MVI 15-2	12.1	306	21.1	537	7.6	194	5.9	149	51	23	0.3	56C	3	0.482
MVI 15-3	12.1	306	21.5	547	7.6	194	5.9	149	54	25	0.5	56C	3	0.674
MVI 15-4	12.8	324	22.2	565	7.6	194	5.9	149	56	25	0.75	56C	3	0.904
MVI 15-5	13.4	341	22.9	582	7.6	194	5.9	149	56	25	0.75	56C	3	0.904
MVI 15-6	14.1	359	23.2	590	6.7	170	5.5	140	58	26	1	W56C	3	1.2
MVI 15-7	14.8	377	25.9	658	7.6	194	5.9	149	70	32	1.5	56C	3	1.5
MVI 15-8	15.6	395	26.6	676	7.6	194	5.9	149	71	32	1.5	56C	3	1.5
MVI 15-9	16.3	414	27.4	695	7.6	194	5.9	149	71	32	1.5	56C	3	1.5
MVI 15-10	17.0	432	28.9	733	7.6	194	5.9	149	79	36	2	56C	3	1.98
MVI 15-11	17.7	450	29.6	751	7.6	194	5.9	149	80	37	2	56C	3	1.98
MVI 15-12	18.4	468	30.3	769	7.6	194	5.9	149	81	37	2	56C	3	1.98
MVI 15-13	20.1	510	33.1	840	8.9	226	7.6	192	140	64	3	182/4TC	3	2.9
MVI 15-15	21.5	546	34.5	876	8.9	226	7.6	192	141	64	3	182/4TC	3	2.9
MVI 15-17	22.9	581	35.9	912	8.9	226	7.6	192	143	65	3	182/4TC	3	2.9
MVI 15-19	24.5	622	37.5	953	8.9	226	7.6	192	144	65	3	182/4TC	3	2.9
MVI 15-21	25.7	654	40.2	1021	8.9	226	7.6	192	149	68	5	184TC	3	4.72
MVI 15-23	27.2	690	41.6	1057	8.9	226	7.6	192	151	69	5	184TC	3	4.72
MVI 15-25	28.6	725	43.0	1093	8.9	226	7.6	192	152	69	5	184TC	3	4.72