


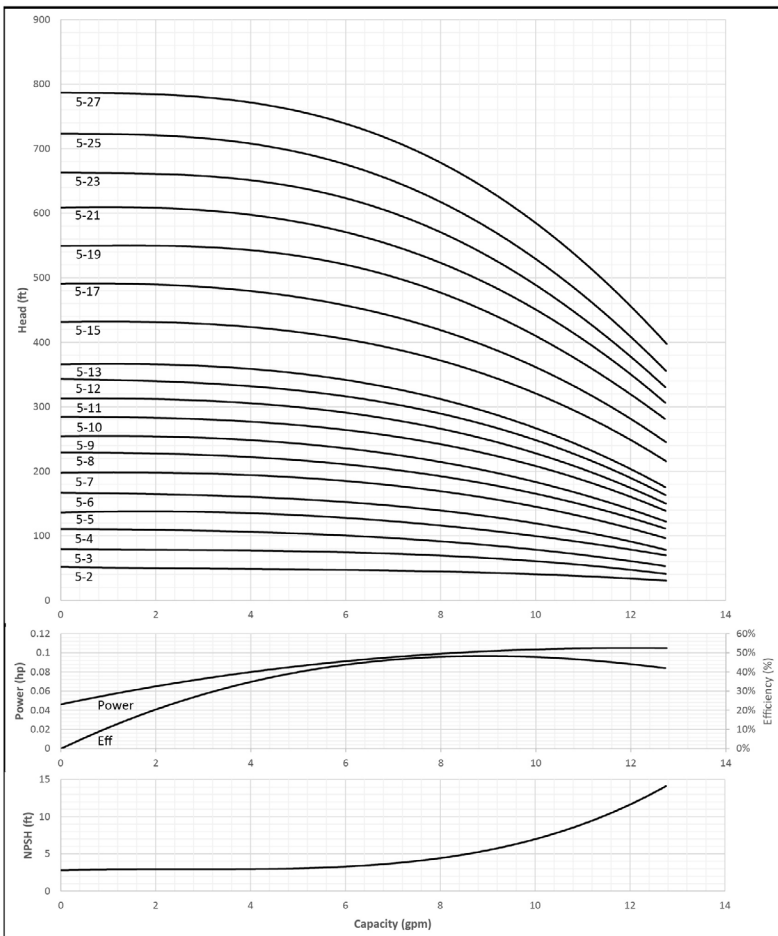
Submittal Data Sheet

MVI - Vertical Multistage Pumps



A WILO BRAND

MVI 5								
		Project:						
		Engineer:						
		Contractor:						
		Submitted By:				Date:		
		Approved By:				Date:		
Tag #	Model #	Flow	Head	HP	Cycle	Phase	Voltage	RPM
					60HZ			



Applications

- Water supply & pressure boosting
- Industrial circulation systems
- Cooling water circulation systems
- Process water
- Washing systems
- Irrigation

Materials of Construction

	AISI 304 Stainless Steel Model	AISI 316 stainless steel Model
Pump Volute, Impeller, Outer Sleeve, Cover, Seal Chamber	AISI 304 stainless steel	AISI 316 stainless steel
Shaft	AISI 431 stainless steel	AISI 316 stainless steel
Pedestal	ASTM 65-45-12 Cast Iron	
Flanges	ASTM 65-45-12 Cast Iron	
Baseplate	ASTM 25B Cast Iron	
Mechanical Seal	EPDM or Viton	
O-ring	EPDM or Viton	

Technical Data

Certification	NSF/ANSI 61 & 372 Certified
Liquid Temp Range	5 °F to 248 °F; determined by liquid type
Power Supply	1-115/208-230/460V, 3-208-230/460V, 3-575V
Ambient temperature	32 °F to 104 °F
Flange Connection	1-1/4" ANSI CLASS 300
Max Operating Pressure	363 PSI
Protection Class	IP 55

Approval Stamp

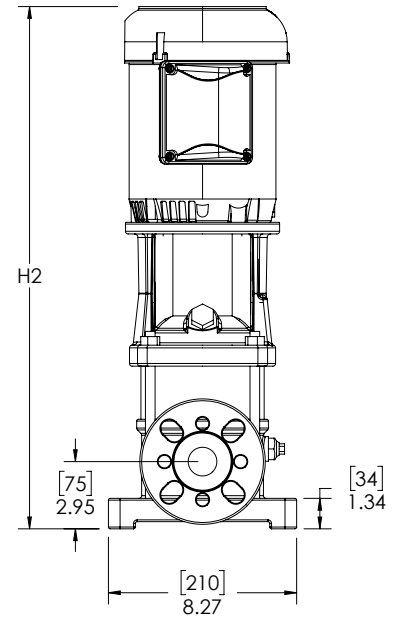
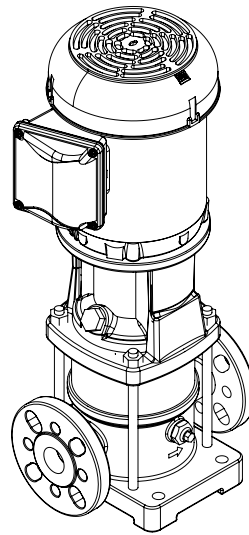
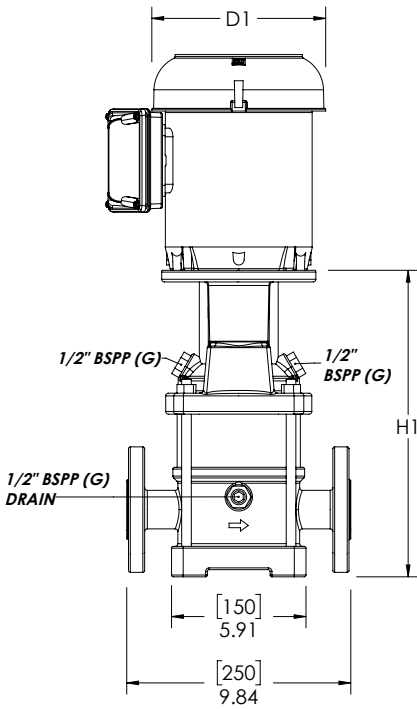
Submittal Data Sheet

MVI - Vertical Multistage Pumps



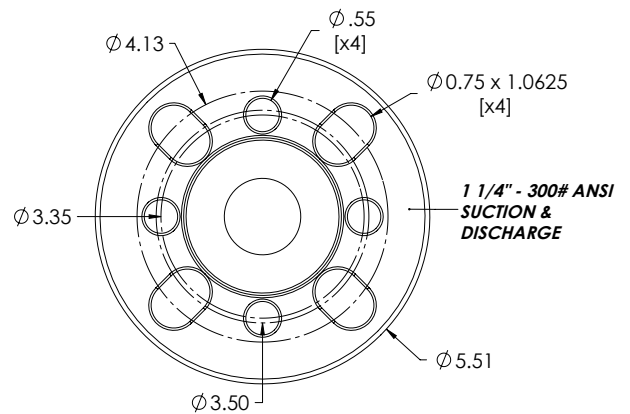
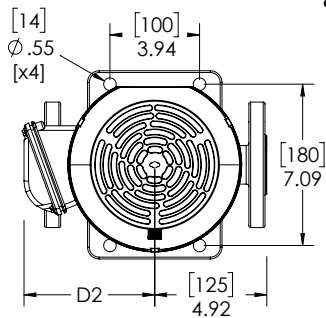
A WILO BRAND

Dimensions, Weights & Electrical Data



note:
Direction of flow
is from left to right
when viewing the
drain port.

**Refer to the flow arrow
on the pump volute.**



Submittal Data Sheet

Scot MVI – Vertical Multistage Pumps



A WILO BRAND

Dimensions, Weights & Electrical Data

Dimensions and Weights											TEFC Motor Data			
Model	H ₁		H ₂		D ₁		D ₂		Weight		115/208-230			
	Dimensions-inches (mm)										P2	Frame	Phase	FLA
	in	mm	in	(mm)	in	(mm)	in	(mm)	lbs	kg	[HP]	[~]	[A]	
MVI 5-2	12.1	306	21.1	536	6.7	170	5.5	140	53	24	0.3	56C	1	5.20/2.88-2.60
MVI 5-3	12.1	306	21.1	536	6.7	170	5.5	140	53	24	0.3	56C	1	5.20/2.88-2.60
MVI 5-4	12.8	324	22.2	564	6.7	170	5.5	140	56	25	0.5	56C	1	7.0/3.87-3.50
MVI 5-5	13.5	342	22.9	582	6.7	170	5.5	140	56	25	0.5	56C	1	7.0/3.87-3.50
MVI 5-6	14.2	360	24.8	630	7.6	194	5.9	149	63	29	0.75	56C	1	8.0/4.42-4.0
MVI 5-7	14.8	377	25.5	647	7.6	194	5.9	149	63	29	0.75	56C	1	8.0/4.42-4.0
MVI 5-8	15.6	395	26.6	676	7.6	194	5.9	149	68	31	1	56C	1	10.1/5.64-5.06
MVI 5-9	16.3	413	27.3	694	7.6	194	5.9	149	69	31	1	56C	1	10.1/5.64-5.06
MVI 5-10	17.0	431	28.0	712	7.6	194	5.9	149	70	32	1	56C	1	10.1/5.64-5.06
MVI 5-11	17.7	449	29.5	750	7.6	194	5.9	149	75	34	1.5	56C	1	13.2/7.3-6.6
MVI 5-12	18.4	467	30.2	768	7.6	194	5.9	149	76	35	1.5	56C	1	13.2/7.3-6.6
MVI 5-13	19.1	485	30.9	786	7.6	194	5.9	149	77	35	1.5	56C	1	13.2/7.3-6.6
MVI 5-15	20.6	522	32.8	833	7.6	194	5.9	149	83	38	2	56C	1	17.5/9.62-8.73
MVI 5-17	22.0	558	34.2	869	7.6	194	5.9	149	85	39	2	56C	1	17.5/9.62-8.73
MVI 5-19	23.4	594	35.6	905	7.6	194	5.9	149	86	39	2	56C	1	17.5/9.62-8.73
MVI 5-21	25.7	654	39.4	1001	8.6	218	6.9	174	127	58	3	182TC	1	29/15-14.5
MVI 5-23	27.2	690	40.8	1037	8.6	218	6.9	174	129	59	3	182TC	1	29/15-14.5
MVI 5-25	28.6	725	42.2	1073	8.6	218	6.9	174	130	59	3	182TC	1	29/15-14.5
MVI 5-27	30.0	761	43.7	1109	8.6	218	6.9	174	132	60	3	182TC	1	29/15-14.5

Dimensions and Weights											TEFC Motor Data			
Model	H ₁		H ₂		D ₁		D ₂		Weight		208-230/460 V			
	Dimensions-inches (mm)										P2	Frame	Phase	FLA
	in	mm	in	(mm)	in	(mm)	in	(mm)	lbs	kg	[HP]	[~]	[A]	
MVI 5-2	12.1	306	21.1	537	7.6	194	5.9	149	52	23	0.3	56C	3	1.33-1.20/0.602
MVI 5-3	12.1	306	21.1	537	7.6	194	5.9	149	52	23	0.3	56C	3	1.33-1.20/0.602
MVI 5-4	12.8	324	22.2	565	7.7	195	5.9	149	54	25	0.5	56C	3	1.86-1.69/0.843
MVI 5-5	13.5	342	22.9	583	7.7	195	5.9	149	54	25	0.5	56C	3	1.86-1.69/0.843
MVI 5-6	14.2	360	23.7	601	7.6	194	5.9	149	56	26	0.75	56C	3	2.50-2.26/1.13
MVI 5-7	14.8	377	24.3	618	7.6	194	5.9	149	57	26	0.75	56C	3	2.50-2.26/1.13
MVI 5-8	15.6	395	24.6	626	6.7	170	5.5	140	59	27	1	56C	3	3.32-3.0/1.50
MVI 5-9	16.3	413	25.3	644	6.7	170	5.5	140	59	27	1	56C	3	3.32-3.0/1.50
MVI 5-10	17.0	431	26.1	662	6.7	170	5.5	140	60	27	1	56C	3	3.32-3.0/1.50
MVI 5-11	17.7	449	28.7	730	7.6	194	5.9	149	73	33	1.5	56C	3	4.13-3.74/1.87
MVI 5-12	18.4	467	29.4	748	7.6	194	5.9	149	74	34	1.5	56C	3	4.13-3.74/1.87
MVI 5-13	19.1	485	30.1	766	7.6	194	5.9	149	75	34	1.5	56C	3	4.13-3.74/1.87
MVI 5-15	20.6	522	32.4	823	7.6	194	5.9	149	82	37	2	56C	3	5.46-4.94/2.47
MVI 5-17	22.0	558	33.8	859	7.6	194	5.9	149	84	38	2	56C	3	5.46-4.94/2.47
MVI 5-19	23.4	594	35.2	895	7.6	194	5.9	149	85	39	2	56C	3	5.46-4.94/2.47
MVI 5-21	25.7	654	40.6	1031	10.1	256	6.7	170	130	59	3	182/4TC	3	8.12-7.34/3.67
MVI 5-23	27.2	690	42.0	1067	10.1	256	6.7	170	132	60	3	182/4TC	3	8.12-7.34/3.67
MVI 5-25	28.6	725	43.4	1103	10.1	256	6.7	170	133	60	3	182/4TC	3	8.12-7.34/3.67
MVI 5-27	30.0	761	44.8	1139	10.1	256	6.7	170	135	61	3	182/4TC	3	8.12-7.34/3.67

Submittal Data Sheet

Scot MVI – Vertical Multistage Pumps



A WILO BRAND

Dimensions, Weights & Electrical Data

Dimensions and Weights

Model	H ₁		H ₂		D ₁		D ₂		Weight	
	Dimensions—inches (mm)									
	in	mm	in	(mm)	in	(mm)	in	(mm)	lbs	kg
MVI 5-2	12.1	306	21.1	537	7.6	194	5.9	149	51	23
MVI 5-3	12.1	306	21.1	537	7.6	194	5.9	149	51	23
MVI 5-4	12.8	324	22.2	565	7.6	194	5.9	149	55	25
MVI 5-5	13.5	342	22.9	583	7.6	194	5.9	149	55	25
MVI 5-6	14.2	360	23.7	601	7.6	194	5.9	149	57	26
MVI 5-7	14.8	377	24.3	618	7.6	194	5.9	149	57	26
MVI 5-8	15.6	395	24.6	626	6.7	170	5.5	140	59	27
MVI 5-9	16.3	413	25.3	644	6.7	170	5.5	140	60	27
MVI 5-10	17.0	431	26.1	662	6.7	170	5.5	140	61	28
MVI 5-11	17.7	449	28.7	730	7.6	194	5.9	149	73	33
MVI 5-12	18.4	467	29.4	748	7.6	194	5.9	149	74	34
MVI 5-13	19.1	485	30.1	766	7.6	194	5.9	149	75	34
MVI 5-15	20.6	522	32.4	823	7.6	194	5.9	149	83	38
MVI 5-17	22.0	558	33.8	859	7.6	194	5.9	149	85	39
MVI 5-19	23.4	594	35.2	895	7.6	194	5.9	149	86	39
MVI 5-21	25.7	654	38.8	984	8.9	226	7.6	192	146	66
MVI 5-23	27.2	690	40.2	1020	8.9	226	7.6	192	148	67
MVI 5-25	28.6	725	41.6	1056	8.9	226	7.6	192	149	68
MVI 5-27	30.0	761	43.0	1092	8.9	226	7.6	192	151	69

TEFC Motor Data

			575V
P2	Frame	Phase	FLA
[HP]		[~]	[A]
0.3	56C	3	0.482
0.3	56C	3	0.482
0.5	56C	3	0.674
0.5	56C	3	0.674
0.75	56C	3	0.904
0.75	56C	3	0.904
1	W56C	3	1.2
1	W56C	3	1.2
1	W56C	3	1.2
1.5	56C	3	1.5
1.5	56C	3	1.5
1.5	56C	3	1.5
2	56C	3	1.98
2	56C	3	1.98
2	56C	3	1.98
3	182/4TC	3	2.9
3	182/4TC	3	2.9
3	182/4TC	3	2.9
3	182/4TC	3	2.9