

Submittal Data Sheet

In-line Centrifugal Pumps



Wilo-IL 2-110 - 2-130 (4 Pole)



Project:	
Engineer:	
Contractor:	
Submitted By:	Date:
Approved By:	Date:

Tag #	Model #	Flow	Head	HP	Cycle	Phase	Voltage	RPM
					60Hz			1750

Product Info

Brand	Wilo
Product Description	IL 2-110 - IL 2-130

Construction Materials

Pump Volute	Cast Iron EN-GJL-250
Impeller	Bronze (cast iron optional)
Shaft	316L stainless steel
Mechanical Seal	Q1Q1X4GG (silicium carbide seal faces, HNBR elastomers)

Motor Data

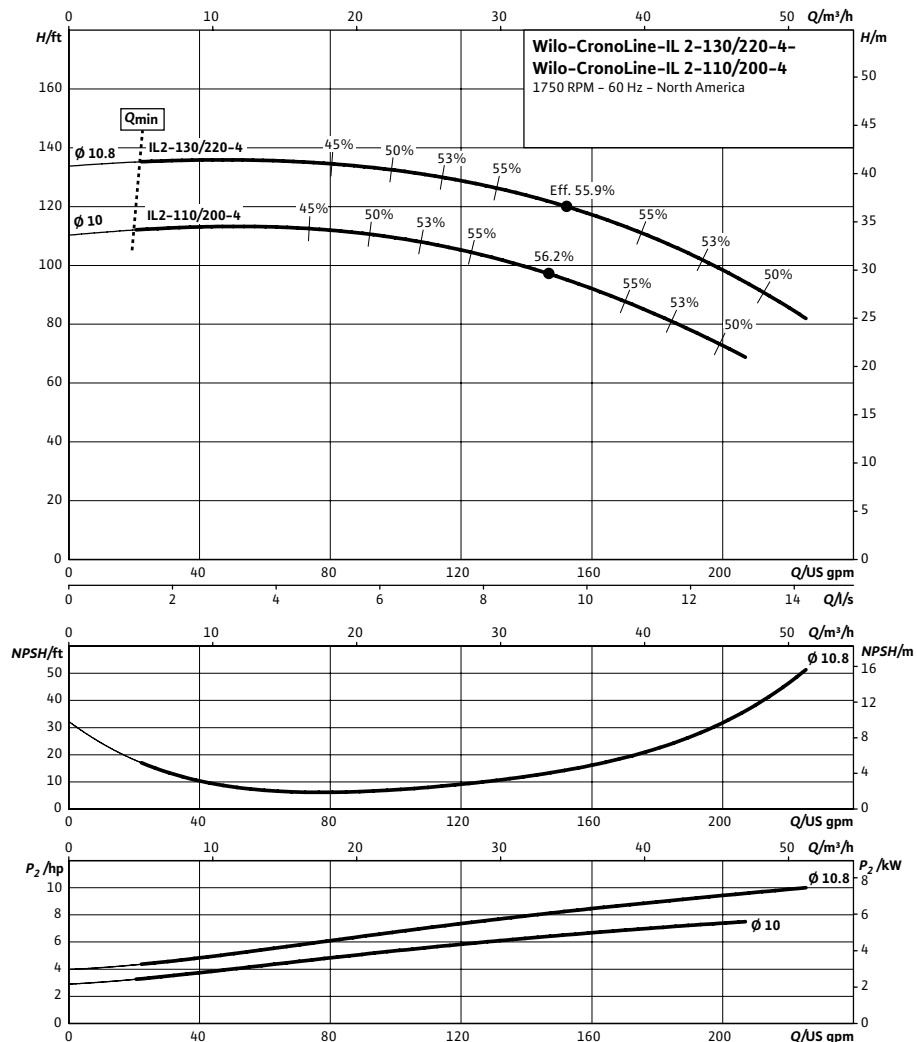
Power Supply	1~115/208-230 volt 3~208-230/460, 575 volt
Integrated full motor protection	integrated protection PTC/PTO on request (on-site trip unit required)
Protection Class	TEF (ODP on request)
Insulation Class	F

Hydraulic Data

Flange Connection	2" 125# ANSI compatible with 1/4" pressure gauge tappings
Max Operating Pressure	175 PSI (12 bar)
Min. Fluid Temp	-5°F (-20 °C)
Max Fluid Temp	285°F (140 °C)
Max. Ambient Temp	104°F (40 °C)

Application

- Hot water heating systems
- Air conditioning systems
- Closed cooling circuits
- Industrial circulation systems
- Solar Systems
- Geothermal Systems



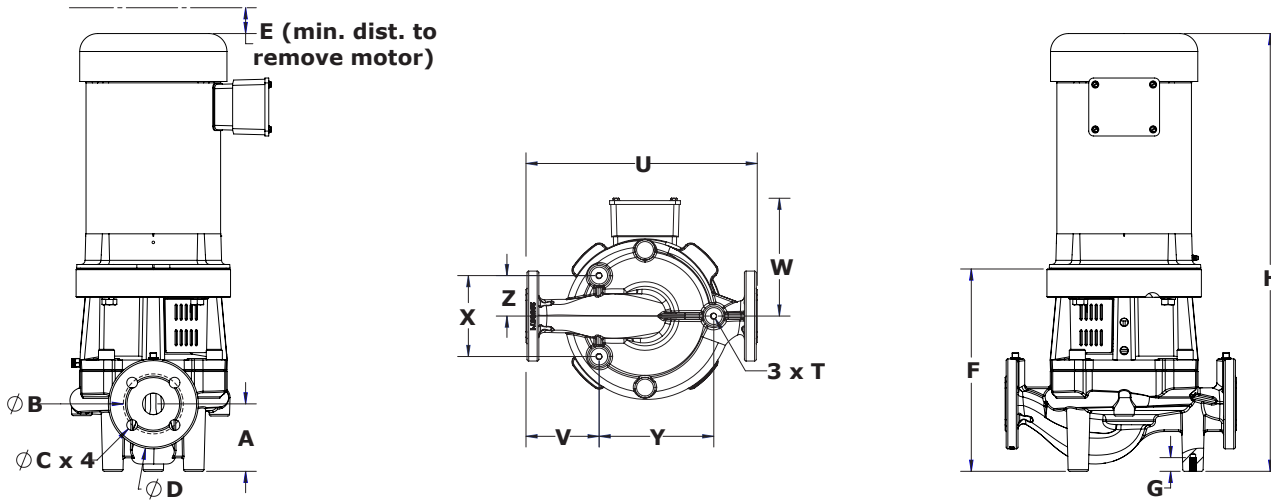
Approval Stamp

Submittal Data Sheet

In-line Centrifugal Pumps



Dimensions & Weights



Dimensions and Weights

Model	PEI	Voltage			P2	Phase	Dimensions (in)												Weight lbs
		[V]	Motor [HP]	[~]			Dia	A	E	F	G	H	T	U	V	W	X	Y	
IL 2 110/200-4	0.97	208/230-460	TEFC	7.5	3	2.00	4.75	3.4	14.2	0.79	30.6	1/2"-13	19	7.28	8.1	7	8	3.5	279
		208/230-460	ODP	7.5	3	2.00	4.75	3.4	14.24	0.79	29.6	1/2"-13	19	7.28	7.91	7	8	3.5	248
	575	TEFC	7.5	3	2.00	4.75	3.4	14.24	0.79	30.71	1/2"-13	19	7.28	8.05	7	8	3.5	279	
		ODP	7.5	3	2.00	4.75	3.4	14.24	0.79	27.51	1/2"-13	19	7.28	7.97	7	8	3.5	253	
IL 2 130/220-4	0.97	208/230-460	TEFC	10	3	2.00	4.75	3.4	14.2	0.79	32.1	1/2"-13	19	7.28	8.1	7	8	3.5	293
		208/230-460	ODP	10	3	2.00	4.75	3.4	14.24	0.79	29.6	1/2"-13	19	7.28	7.91	7	8	3.5	260
	575	TEFC	10	3	2.00	4.75	3.4	14.24	0.79	32.21	1/2"-13	19	7.28	8.05	7	8	3.5	293	
		ODP	10	3	2.00	4.75	3.4	14.24	0.79	27.51	1/2"-13	19	7.28	7.97	7	8	3.5	257	

Flange Dimensions

Dimensions - Inches		
ØB	ØC x 4	ØD
4.8	0.75 x 4	6.5