

Submittal Data Sheet

In-line Centrifugal Pumps



Wilo-IL 2-45 - 2-70 (4 Pole)



Project:	
Engineer:	
Contractor:	
Submitted By:	Date:
Approved By:	Date:

Tag #	Model #	Flow	Head	HP	Cycle	Phase	Voltage	RPM
					60Hz			1750

Product Info

Brand	Wilo
Product Description	IL 2-45 - IL 2-70

Construction Materials

Pump Volute	Cast Iron EN-GJL-250
Impeller	Bronze (cast iron optional)
Shaft	316L stainless steel
Mechanical Seal	Q1Q1X4GG (silicium carbide seal faces, HNBR elastomers)

Motor Data

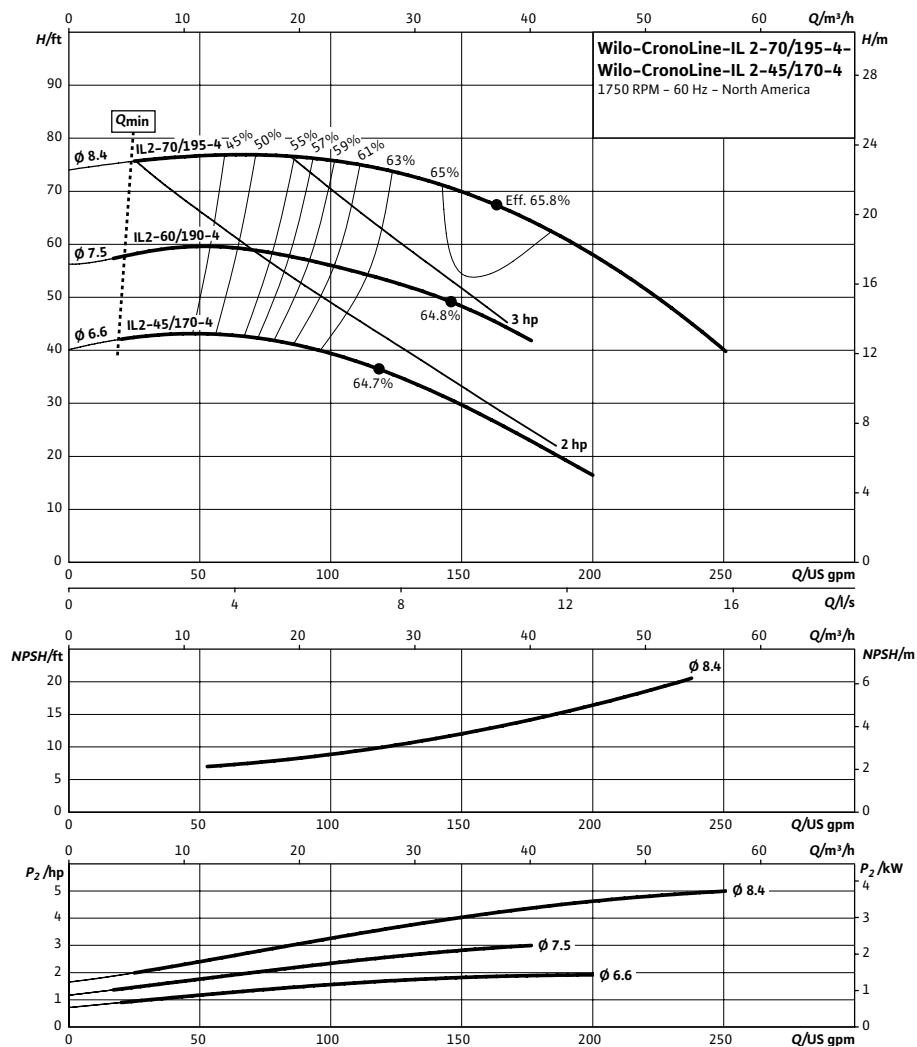
Power Supply	1~115/208-230 volt 3~208-230/460, 575 volt
Integrated full motor protection	integrated protection PTC/PTO on request (on-site trip unit required)
Protection Class	TEF (ODP on request)
Insulation Class	F

Hydraulic Data

Flange Connection	2" 125# ANSI compatible with 1/4" pressure gauge tappings
Max Operating Pressure	175 PSI (12 bar)
Min. Fluid Temp	-5°F (-20 °C)
Max Fluid Temp	285°F (140 °C)
Max. Ambient Temp	104°F (40 °C)

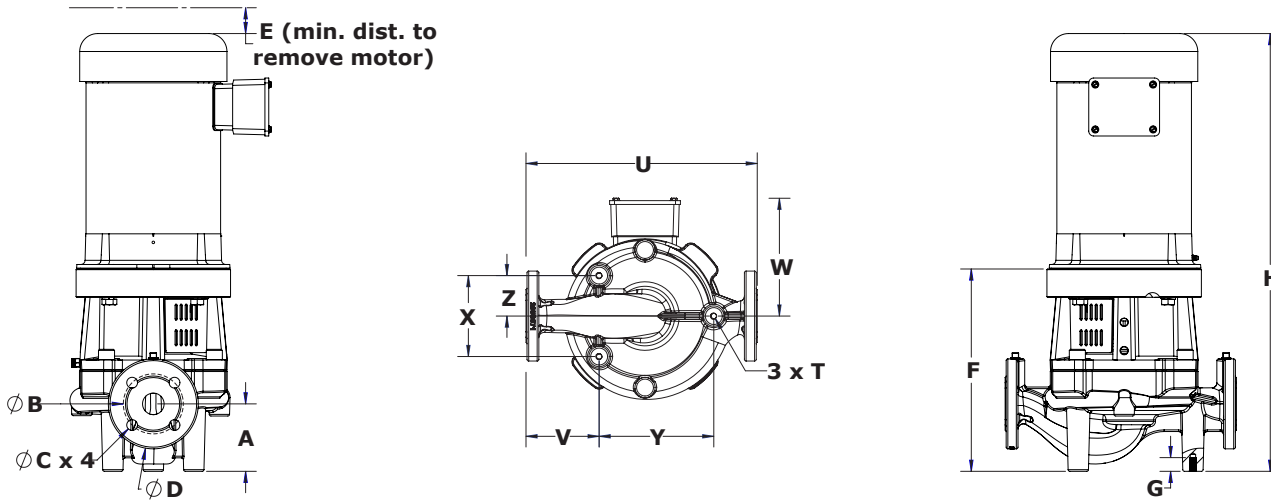
Application

- Hot water heating systems
- Air conditioning systems
- Closed cooling circuits
- Industrial circulation systems
- Solar Systems
- Geothermal Systems



Approval Stamp

Dimensions & Weights



Dimensions and Weights

Model	PEI	Voltage		P2	Phase	Dimensions (in)													Weight lbs
		[V]	Motor			[HP]	[~]	Dia	A	E	F	G	H	T	U	V	W	X	
IL 2 45/170-4	0.97	115/230	TEFC	2	1	2.00	4.72	2.38	11.8	0.79	25.6	3/8"-16	17.5	6.79	5.88	6.3	7.95	3.2	143
		115/230	ODP	2	1	2.00	4.72	2.37	11.81	0.79	23.85	3/8"-16	17.5	6.79	5.56	6.3	7.95	3.15	141
		208/230-460	TEFC	2	3	2.00	4.72	2.4	11.8	0.79	23.0	3/8"-16	17.5	6.79	5.7	6.3	7.95	3.2	139
		208/230-460	ODP	2	3	2.00	4.72	2.37	11.81	0.79	22.93	3/8"-16	17.5	6.79	5.62	6.3	7.95	3.15	135
		575	TEFC	2	3	2.00	4.72	2.37	11.81	0.79	22.97	3/8"-16	17.5	6.79	5.74	6.3	7.95	3.15	138
		575	ODP	2	3	2.00	4.72	2.37	11.81	0.79	22.01	3/8"-16	17.5	6.79	5.88	6.3	7.95	3.15	132
IL 2 60/190-4	0.97	115/230	TEFC	3	1	2.00	4.72	2.87	13.01	0.79	26.73	3/8"-16	17.5	6.79	6.87	6.3	7.95	3.15	180
		115/230	ODP	3	1	2.00	4.72	2.87	13.01	0.79	26.73	3/8"-16	17.5	6.79	6.75	6.3	7.95	3.15	179
		208/230-460	TEFC	3	3	2.00	4.72	2.9	13.0	0.79	26.8	3/8"-16	17.5	6.79	6.9	6.3	7.95	3.2	174
		208/230-460	ODP	3	3	2.00	4.72	2.87	13.01	0.79	26.75	3/8"-16	17.5	6.79	6.75	6.3	7.95	3.15	175
		575	TEFC	3	3	2.00	4.72	2.87	13.01	0.79	26.75	3/8"-16	17.5	6.79	6.87	6.3	7.95	3.15	172
		575	ODP	3	3	2.00	4.72	2.87	13.01	0.79	25.33	3/8"-16	17.5	6.79	6.7	6.3	7.95	3.15	177
IL 2 70/195-4	0.97	208/230-460	TEFC	5	3	2.00	4.72	2.9	13.0	0.79	28.3	3/8"-16	17.5	6.79	6.9	6.3	7.95	3.2	190
		208/230-460	ODP	5	3	2.00	4.72	2.9	13.01	0.79	26.75	3/8"-16	17.5	6.79	6.75	6.3	7.95	3.15	194
		575	TEFC	5	3	2.00	4.72	2.9	13.01	0.79	28.25	3/8"-16	17.5	6.79	6.87	6.3	7.95	3.15	190
		575	ODP	5	3	2.00	4.72	2.9	13.01	0.79	26.51	3/8"-16	17.5	6.79	6.7	6.3	7.95	3.15	193

Flange Dimensions

Dimensions - Inches		
ØB	ØC x 4	ØD
4.8	0.75 x 4	6.5