

Submittal Data Sheet

In-line Centrifugal Pumps



Wilo-IL 2-20 - 2-45 (4 Pole)



Project:	
Engineer:	
Contractor:	
Submitted By:	Date:
Approved By:	Date:

Tag #	Model #	Flow	Head	HP	Cycle	Phase	Voltage	RPM
					60Hz			1750

Product Info

Brand	Wilo
Product Description	IL 2-20

Construction Materials

Pump Volute	Cast Iron EN-GJL-250
Impeller	Bronze (cast iron optional)
Shaft	316L stainless steel
Mechanical Seal	Q1Q1X4GG (silicium carbide seal faces, HNBR elastomers)

Motor Data

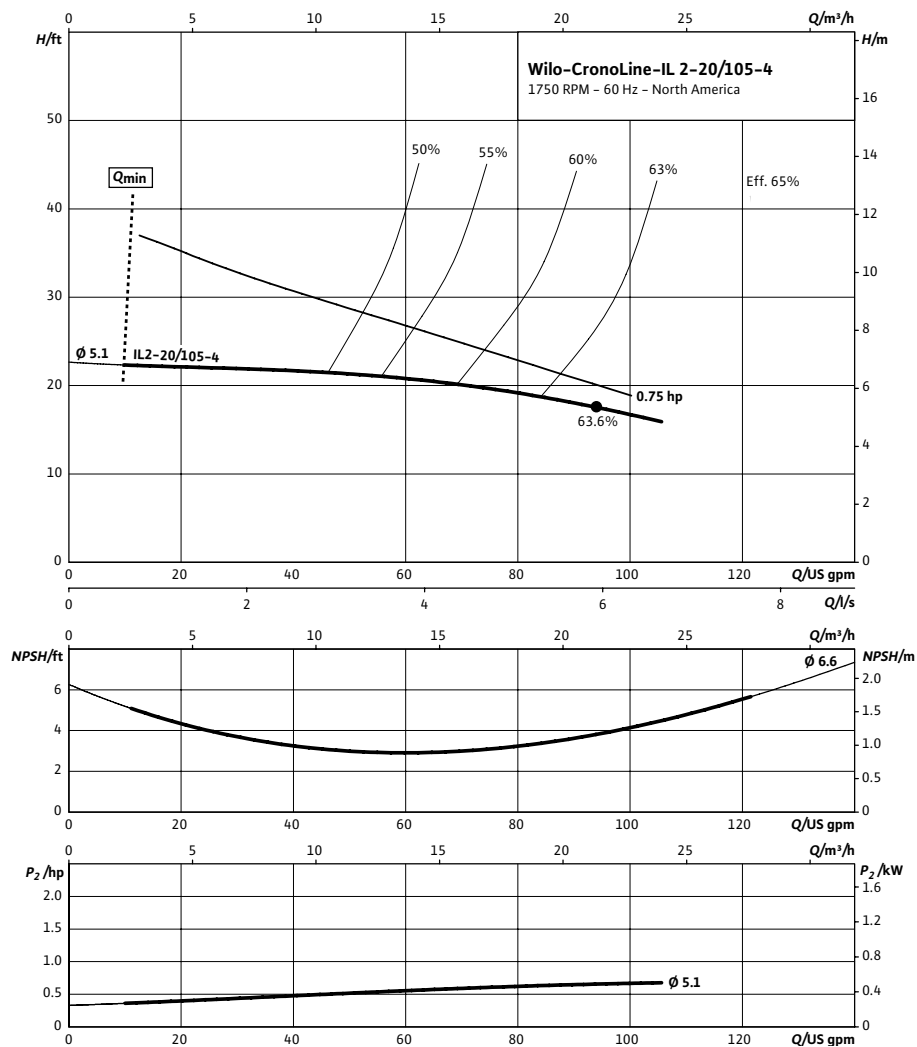
Power Supply	1~115/208-230 volt 3~208-230/460, 575 volt
Integrated full motor protection	integrated protection PTC/PTO on request (on-site trip unit required)
Protection Class	TEF (ODP on request)
Insulation Class	F

Hydraulic Data

Flange Connection	2" 125# ANSI compatible with 1/4" pressure gauge tappings
Max Operating Pressure	175 PSI (12 bar)
Min. Fluid Temp	-5°F (-20 °C)
Max Fluid Temp	285°F (140 °C)
Max. Ambient Temp	104°F (40 °C)

Application

- Hot water heating systems
- Air conditioning systems
- Closed cooling circuits
- Industrial circulation systems
- Solar Systems
- Geothermal Systems



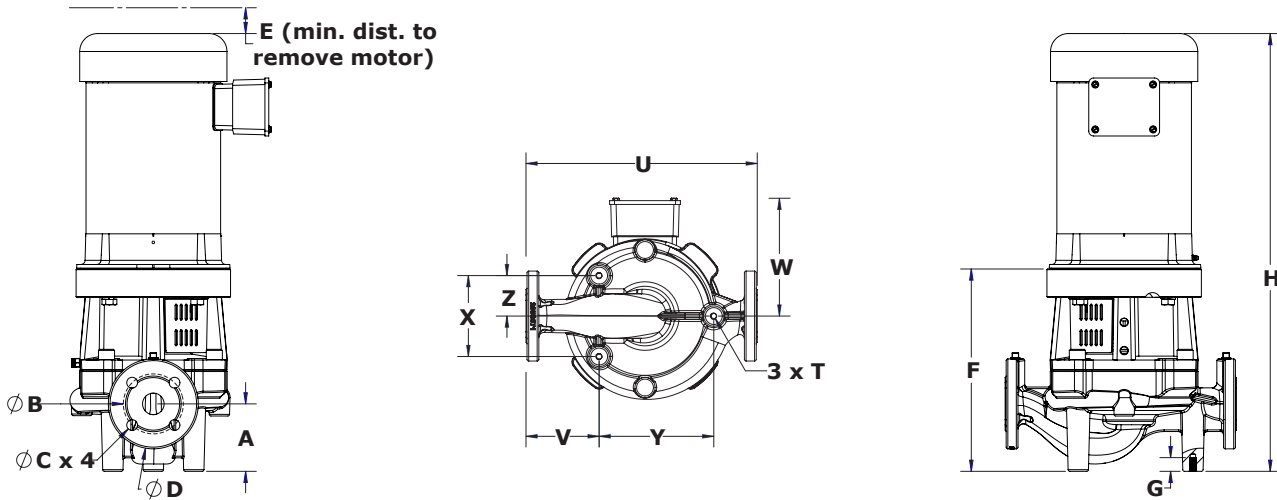
Approval Stamp

Submittal Data Sheet

In-line Centrifugal Pumps



Dimensions & Weights



Dimensions and Weights

Model	PEI	Voltage		P2	Phase	Dimensions (in)													Weight lbs
		[V]	Motor [HP]			[~]	Dia	A	E	F	G	H	T	U	V	W	X	Y	
IL 2 20/105-4		115/230	TEFC	¾	1	2.00	3.55	2.3	11.0	0.79	21.4	3/8"-16	15	5.8	5.18	6.46	6.5	3.2	108
		115/230	ODP	¾	1	2.00	3.55	2.3	10.95	0.79	20.78	3/8"-16	15	5.8	4.65	6.46	6.5	3.23	109
		208/230-460	TEFC	¾	3	2.00	3.55	2.3	11.0	0.79	20.2	3/8"-16	15	5.8	5.2	6.46	6.5	3.2	101
		208/230-460	ODP	¾	3	2.00	3.55	2.3	10.95	0.79	21.11	3/8"-16	15	5.8	5.62	6.46	6.5	3.23	107
		575	TEFC	¾	3	2.00	3.55	2.31	10.95	0.79	20.23	3/8"-16	15	5.8	5.18	6.46	6.5	3.23	101
		575	ODP	¾	3	2.00	3.55	2.3	10.95	0.79	20	3/8"-16	15	5.8	3.32	6.46	6.5	3.23	99

Flange Dimensions

Dimensions - Inches		
ØB	ØC x 4	ØD
4.8	0.75 x 4	6.5