

# Submittal Data Sheet

In-line Centrifugal Pumps



## Wilo-IL 2.5-95 - 2.5-135 (4 Pole)



Project:	
Engineer:	
Contractor:	
Submitted By:	Date:
Approved By:	Date:

Tag #	Model #	Flow	Head	HP	Cycle	Phase	Voltage	RPM
					60Hz			1750

### Product Info

Brand	Wilo
Product Description	IL 2.5-95 - IL 2.5-135

### Construction Materials

Pump Volute	Cast Iron EN-GJL-250
Impeller	Bronze (cast iron optional)
Shaft	316L stainless steel
Mechanical Seal	Q1Q1X4GG (silicium carbide seal faces, HNBR elastomers)

### Motor Data

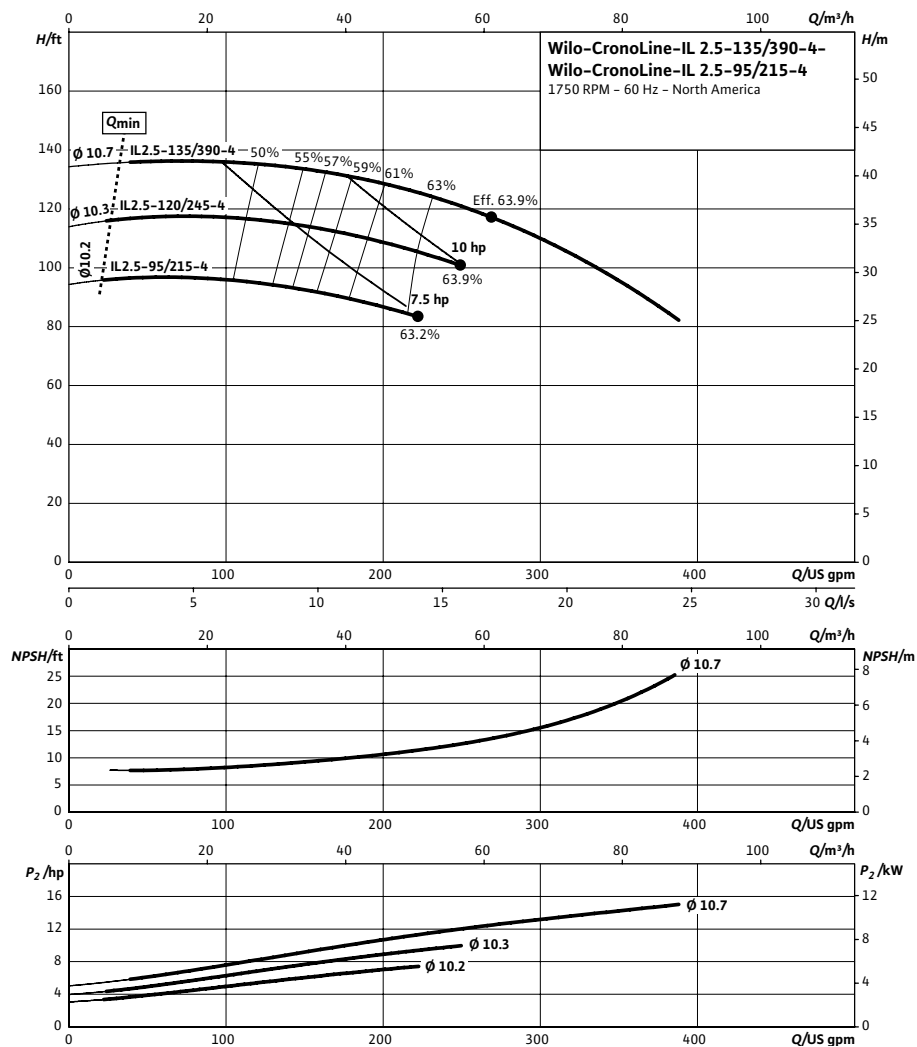
Power Supply	1~115/208-230 volt 3~208-230/460, 575 volt
Integrated full motor protection	integrated protection PTC/PTO on request (on-site trip unit required)
Protection Class	TEF (ODP on request)
Insulation Class	F

### Hydraulic Data

Flange Connection	2 1/2" 125# ANSI compatible with 1/4" pressure gauge tappings
Max Operating Pressure	175 PSI (12 bar)
Min. Fluid Temp	-5°F (-20 °C)
Max Fluid Temp	285°F (140 °C)
Max. Ambient Temp	104°F (40 °C)

### Application

- Hot water heating systems
- Air conditioning systems
- Closed cooling circuits
- Industrial circulation systems
- Solar Systems
- Geothermal Systems



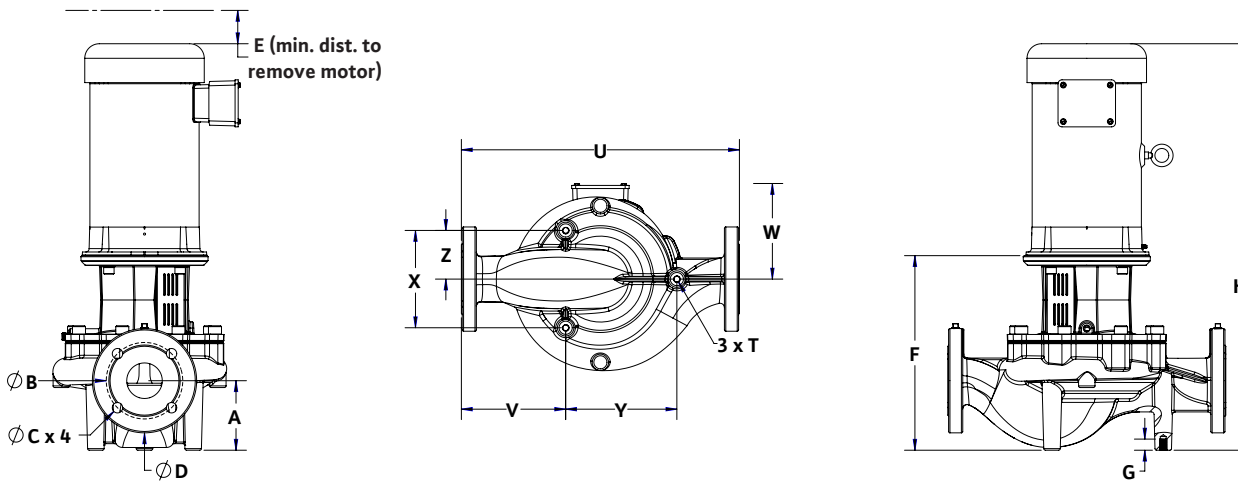
Approval Stamp

# Submittal Data Sheet

In-line Centrifugal Pumps



## Dimensions & Weights



## Dimensions and Weights

Model	PEI	Voltage		P2	Phase	Dia	Dimensions (in)											Weight lbs	
		[V]	Motor				[HP]	[-]	A	E	F	G	H	T	U	V	W		X
IL 2.5 95/215-4	0.98	208/230-460	TEFC	7½	3	2.50	5.25	3.4	14.88	0.79	31.27	1/2"-13	20.5	7.47	8.05	8	9	4	292
		208/230-460	ODP	7½	3	2.50	5.25	3.4	14.88	0.79	30.24	1/2"-13	20.5	7.47	7.91	8	9	4	261
	575	TEFC	7½	3	2.50	5.25	3.4	14.88	0.79	31.35	1/2"-13	20.5	7.47	8.05	8	9	4	292	
	575	ODP	7½	3	2.50	5.25	3.4	14.88	0.79	28.15	1/2"-13	20.5	7.47	7.97	8	9	4	266	
IL 2.5 120/245-4	0.98	208/230-460	TEFC	10	3	2.50	5.25	3.4	14.88	0.79	32.77	1/2"-13	20.5	7.47	8.05	8	9	4	306
		208/230-460	ODP	10	3	2.50	5.25	3.4	14.88	0.79	30.24	1/2"-13	20.5	7.47	7.91	8	9	4	273
	575	TEFC	10	3	2.50	5.25	3.4	14.88	0.79	32.85	1/2"-13	20.5	7.47	8.05	8	9	4	306	
	575	ODP	10	3	2.50	5.25	3.4	14.88	0.79	28.15	1/2"-13	20.5	7.47	7.97	8	9	4	270	
IL 2.5 135/390-4	0.98	208/230-460	TEFC	15	3	2.50	5.25	4.0	14.88	0.79	34.72	1/2"-13	20.5	7.47	10.04	8	9	4	426
		208/230-460	ODP	15	3	2.50	5.25	4.0	14.88	0.79	34.93	1/2"-13	20.5	7.47	8.94	8	9	4	393
	575	TEFC	15	3	2.50	5.25	4.0	14.88	0.79	34.72	1/2"-13	20.5	7.47	10.04	8	9	4	409	
	575	ODP	15	3	2.50	5.25	4.0	14.88	0.79	31.97	1/2"-13	20.5	7.47	10.46	8	9	4	410	

## Flange Dimensions

Dimensions - Inches		
ØB	ØC x 4	ØD
5.5	0.75 x 4	7.5