

Submittal Data Sheet

In-line Centrifugal Pumps



Wilo-IL 2.5-70 - 2.5-90 (4 Pole)



Project:	
Engineer:	
Contractor:	
Submitted By:	Date:
Approved By:	Date:

Tag #	Model #	Flow	Head	HP	Cycle	Phase	Voltage	RPM
					60Hz			1750

Product Info

Brand	Wilo
Product Description	IL 2.5-70 - IL 2.5-90

Construction Materials

Pump Volute	Cast Iron EN-GJL-250
Impeller	Bronze (cast iron optional)
Shaft	316L stainless steel
Mechanical Seal	Q1Q1X4GG (silicium carbide seal faces, HNBR elastomers)

Motor Data

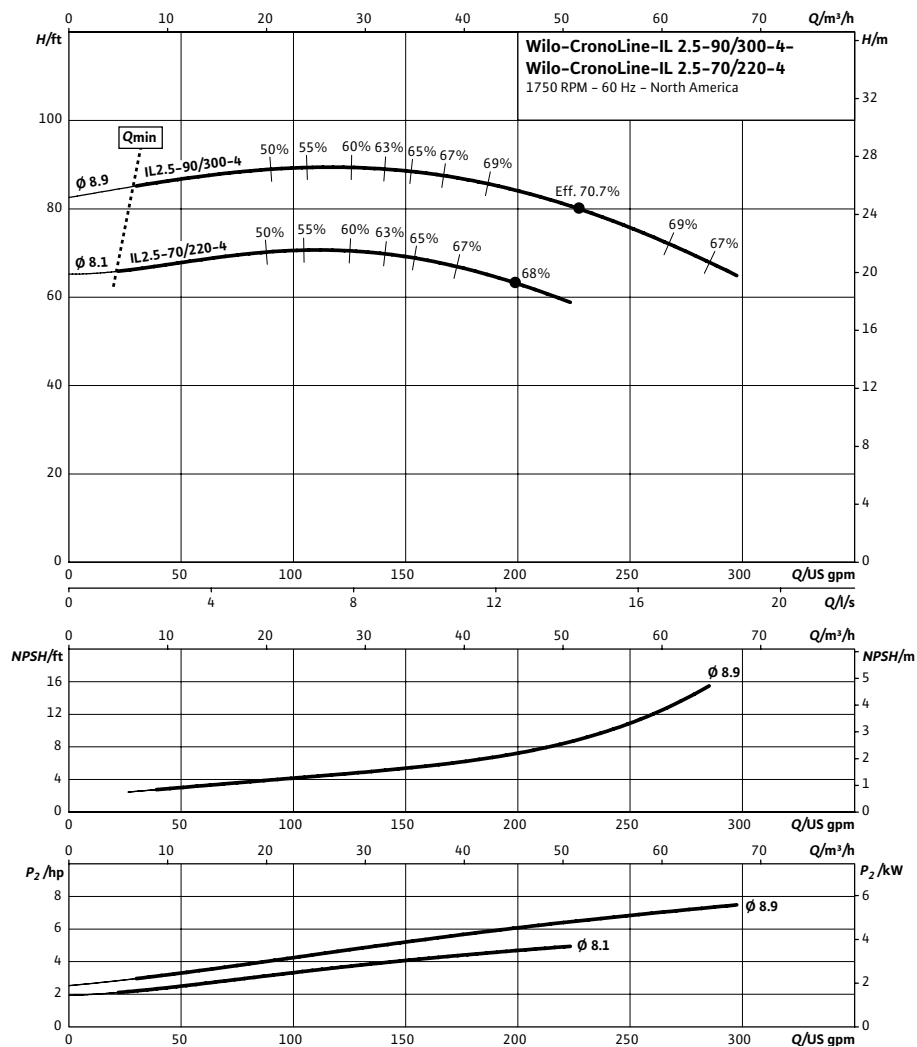
Power Supply	1~115/208-230 volt 3~208-230/460, 575 volt
Integrated full motor protection	integrated protection PTC/PTO on request (on-site trip unit required)
Protection Class	TEF (ODP on request)
Insulation Class	F

Hydraulic Data

Flange Connection	2 1/2" 125# ANSI compatible with 1/4" pressure gauge tappings
Max Operating Pressure	175 PSI (12 bar)
Min. Fluid Temp	-5°F (-20 °C)
Max Fluid Temp	285°F (140 °C)
Max. Ambient Temp	104°F (40 °C)

Application

- Hot water heating systems
- Air conditioning systems
- Closed cooling circuits
- Industrial circulation systems
- Solar Systems
- Geothermal Systems



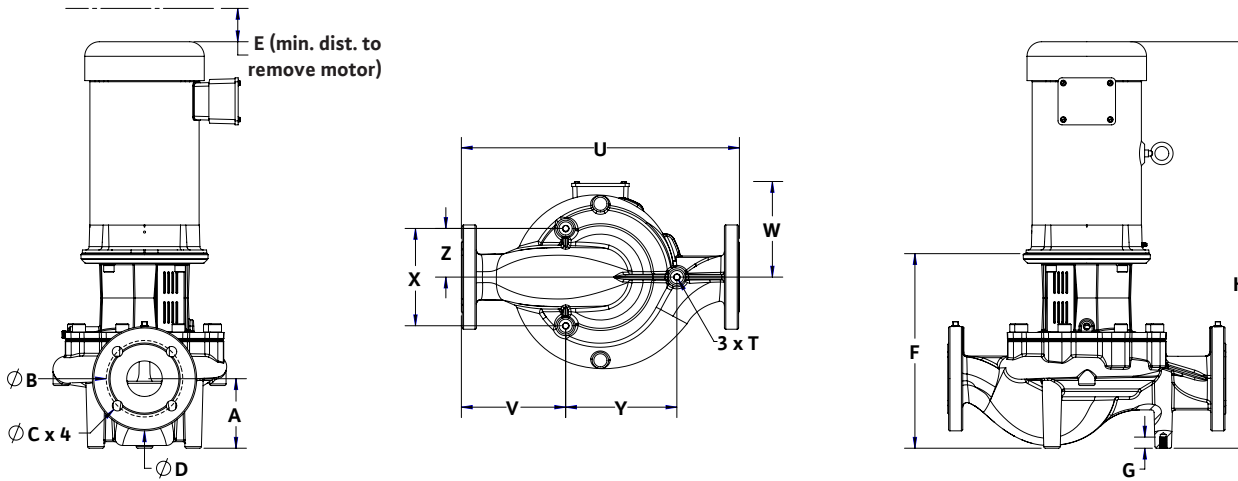
Approval Stamp

Submittal Data Sheet

In-line Centrifugal Pumps



Dimensions & Weights



Dimensions and Weights

Model	PEI	Voltage		P2	Phase	Dimensions (in)													Weight lbs
		[V]	Motor			[HP]	[~]	Dia	A	E	F	G	H	T	U	V	W	X	
IL 2.5 70/220-4	0.92	208/230-460	TEFC	5	3	2.50	5	2.9	14	0.79	29.24	1/2"-13	20	7.5	6.87	7	8	3.5	214
		208/230-460	ODP	5	3	2.50	5	2.9	14	0.79	27.74	1/2"-13	20	7.5	6.75	7	8	3.5	218
	575	TEFC	5	3	2.50	5	2.9	14	0.79	29.24	1/2"-13	20	7.5	6.87	7	8	3.5	214	
		ODP	5	3	2.50	5	2.9	14	0.79	27.5	1/2"-13	20	7.5	6.7	7	8	3.5	217	
IL 2.5 90/300-4	0.92	208/230-460	TEFC	7½	3	2.50	5	3.4	14	0.79	30.39	1/2"-13	20	7.5	8.05	7	8	3.5	279
		208/230-460	ODP	7½	3	2.50	5	3.4	14	0.79	29.36	1/2"-13	20	7.5	7.91	7	8	3.5	248
	575	TEFC	7½	3	2.50	5	3.4	14	0.79	30.47	1/2"-13	20	7.5	8.05	7	8	3.5	279	
		ODP	7½	3	2.50	5	3.4	14	0.79	27.26	1/2"-13	20	7.5	7.97	7	8	3.5	253	

Flange Dimensions

Dimensions - Inches		
ØB	ØC x 4	ØD
4.75	0.75 x 4	6.5