

# Submittal Data Sheet

In-line Centrifugal Pumps



## Wilo-IL 1.25-25 - 1.25-50 (4 Pole)



Project:							
Engineer:							
Contractor:							
Submitted By:					Date:		
Approved By:					Date:		

Tag #	Model #	Flow	Head	HP	Cycle	Phase	Voltage	RPM
					60Hz			1750

### Product Info

Brand	Wilo
Product Description	IL 1.25-25 - IL 1.25-50

### Construction Materials

Pump Volute	Cast Iron EN-GJL-250
Impeller	Bronze (cast iron optional)
Shaft	316L stainless steel
Mechanical Seal	Q1Q1X4GG (silicium carbide seal faces, HNBR elastomers)

### Motor Data

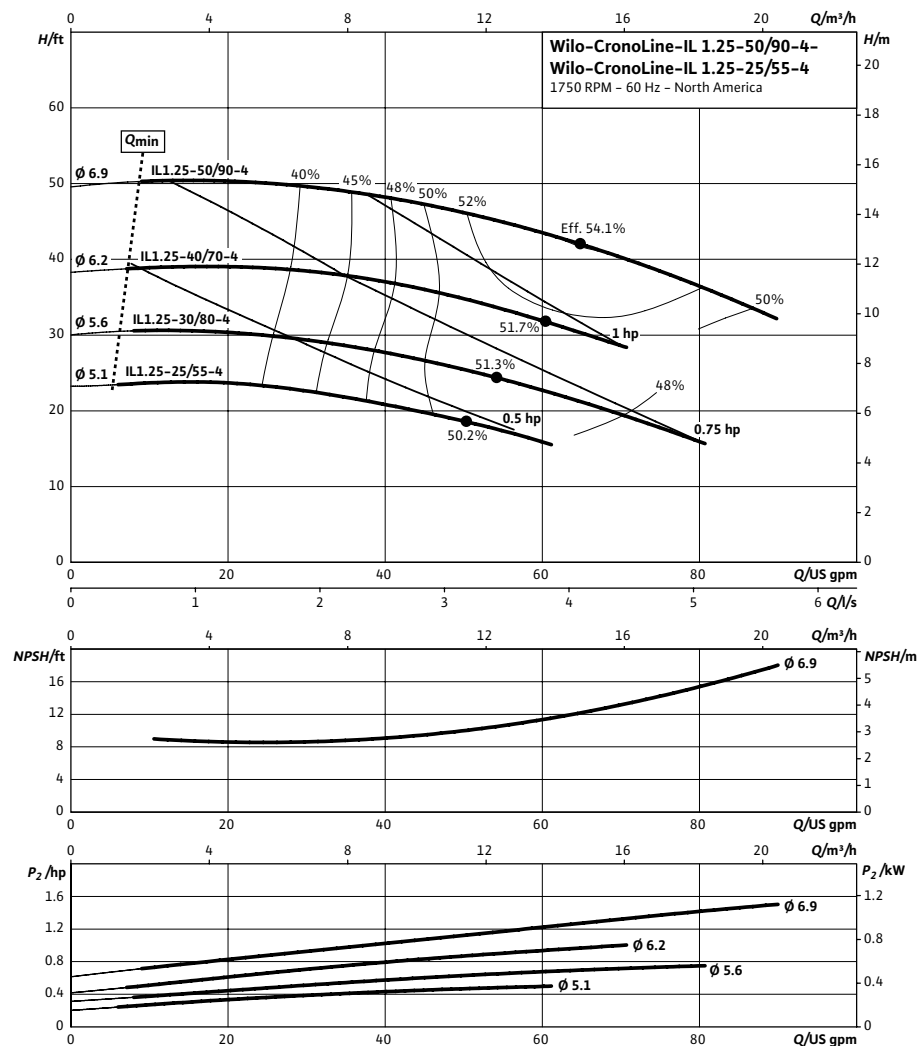
Power Supply	1~115/208-230 volt 3~208-230/460, 575 volt
Integrated full motor protection	integrated protection PTC/PTO on request (on-site trip unit required)
Protection Class	TEF (ODP on request)
Insulation Class	F

### Hydraulic Data

Flange Connection	1 1/4" 125# ANSI compatible with 1/4" pressure gauge tappings
Max Operating Pressure	175 PSI (12 bar)
Min. Fluid Temp	-5°F (-20 °C)
Max Fluid Temp	285°F (140 °C)
Max. Ambient Temp	104°F (40 °C)

### Application

- Hot water heating systems
- Air conditioning systems
- Closed cooling circuits
- Industrial circulation systems
- Solar Systems
- Geothermal Systems



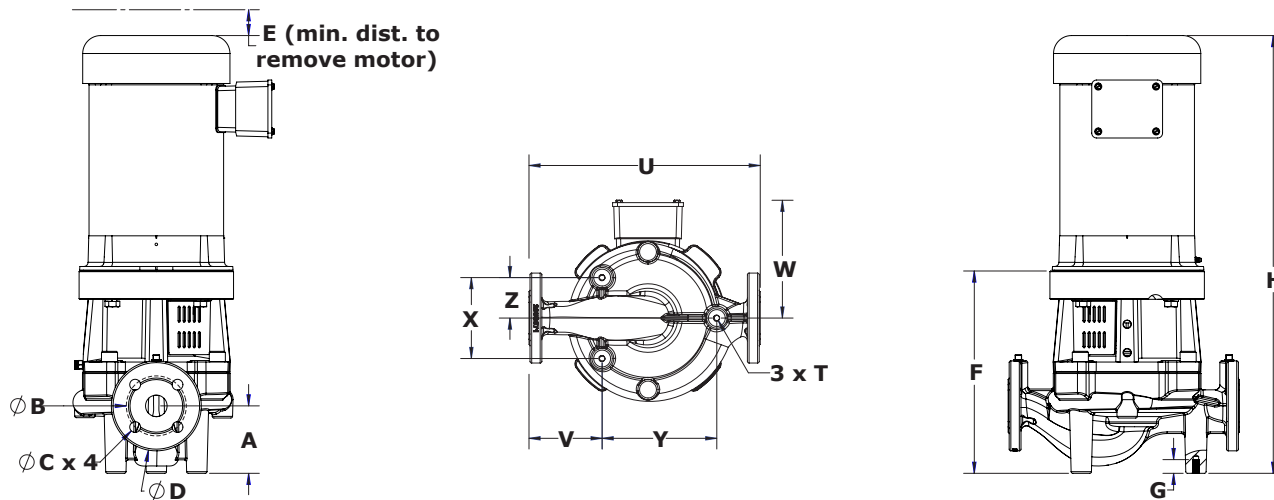
Approval Stamp

# Submittal Data Sheet

In-line Centrifugal Pumps



## Dimensions & Weights



## Dimensions and Weights

Model	PEI	Voltage			P2		Phase		Dimensions (in)										Weight
		[V]	Motor [HP]	[~]	Dia	A	E	F	G	H	T	U	V	W	X	Y	Z	lbs	
IL 1.25 25/55-4		115/230	TEFC	½	1	1.25	3.94	2.3	10.61	0.79	19.89	3/8"-16	13.5	4.27	5.18	4.72	6.69	2.36	92
		115/230	ODP	½	1	1.25	3.94	2.3	10.61	0.79	19.89	3/8"-16	13.5	4.27	4.17	4.72	6.69	2.36	92
		208/230-460	TEFC	½	1	1.25	3.94	2.3	10.61	0.79	20.77	3/8"-16	13.5	4.27	5.72	4.72	6.69	2.36	96
		208/230-460	ODP	½	1	1.25	3.94	2.3	10.61	0.79	21.24	3/8"-16	13.5	4.27	5.04	4.72	6.69	2.36	96
		575	TEFC	½	1	1.25	3.94	2.3	10.61	0.79	19.89	3/8"-16	13.5	4.27	5.13	4.72	6.69	2.36	87
		575	ODP	½	1	1.25	3.94	2.31	10.61	0.79	19.26	3/8"-16	13.5	4.27	3.32	4.72	6.69	2.36	86
IL 1.25 30/80-4		115/230	TEFC	¾	1	1.25	3.94	2.3	10.61	0.79	21.02	3/8"-16	13.5	4.27	5.18	4.72	6.69	2.36	98
		115/230	ODP	¾	1	1.25	3.94	2.3	10.61	0.79	20.44	3/8"-16	13.5	4.27	4.65	4.72	6.69	2.36	99
		208/230-460	TEFC	¾	1	1.25	3.94	2.3	10.61	0.79	19.89	3/8"-16	13.5	4.27	5.13	4.72	6.69	2.36	91
		208/230-460	ODP	¾	1	1.25	3.94	2.3	10.61	0.79	20.77	3/8"-16	13.5	4.27	5.54	4.72	6.69	2.36	97
		575	TEFC	¾	1	1.25	3.94	2.3	10.61	0.79	19.89	3/8"-16	13.5	4.27	5.18	4.72	6.69	2.36	91
		575	ODP	¾	1	1.25	3.94	2.31	10.61	0.79	19.65	3/8"-16	13.5	4.27	3.32	4.72	6.69	2.36	89
IL 1.25 40/70-4	0.98	115/230	TEFC	1	1	1.25	3.94	2.31	10.61	0.79	21.77	3/8"-16	13.5	4.27	5.71	4.72	6.69	2.36	105
		115/230	ODP	1	1	1.25	3.94	2.31	10.61	0.79	21.22	3/8"-16	13.5	4.27	4.65	4.72	6.69	2.36	105
		208/230-460	TEFC	1	3	1.25	3.94	2.31	10.61	0.79	20.77	3/8"-16	13.5	4.27	5.72	4.72	6.69	2.36	101
		208/230-460	ODP	1	3	1.25	3.94	2.31	10.61	0.79	20.77	3/8"-16	13.5	4.27	5.54	4.72	6.69	2.36	102
		575	TEFC	1	3	1.25	3.94	2.31	10.61	0.79	20.77	3/8"-16	13.5	4.27	5.71	4.72	6.69	2.36	100
		575	ODP	1	3	1.25	3.94	2.31	10.61	0.79	20.04	3/8"-16	13.5	4.27	3.32	4.72	6.69	2.36	91
IL 1.25 50/90-4	0.98	115/230	TEFC	1½	1	1.25	3.94	2.31	10.61	0.79	22.65	3/8"-16	13.5	4.27	5.75	4.72	6.69	2.36	113
		115/230	ODP	1½	1	1.25	3.94	2.31	10.61	0.79	21.62	3/8"-16	13.5	4.27	4.65	4.72	6.69	2.36	113
		208/230-460	TEFC	1½	3	1.25	3.94	2.31	10.61	0.79	21.77	3/8"-16	13.5	4.27	5.72	4.72	6.69	2.36	107
		208/230-460	ODP	1½	3	1.25	3.94	2.31	10.61	0.79	21.27	3/8"-16	13.5	4.27	5.88	4.72	6.69	2.36	102
		575	TEFC	1½	3	1.25	3.94	2.31	10.61	0.79	22.65	3/8"-16	13.5	4.27	5.71	4.72	6.69	2.36	115
		575	ODP	1½	3	1.25	3.94	2.31	10.61	0.79	21.27	3/8"-16	13.5	4.27	5.88	4.72	6.69	2.36	102

## Flange Dimensions

Dimensions - Inches

ØB	ØC x 4	ØD
3.5	0.63 x 4	5.25