

Submittal Data Sheet

In-line Centrifugal Pumps

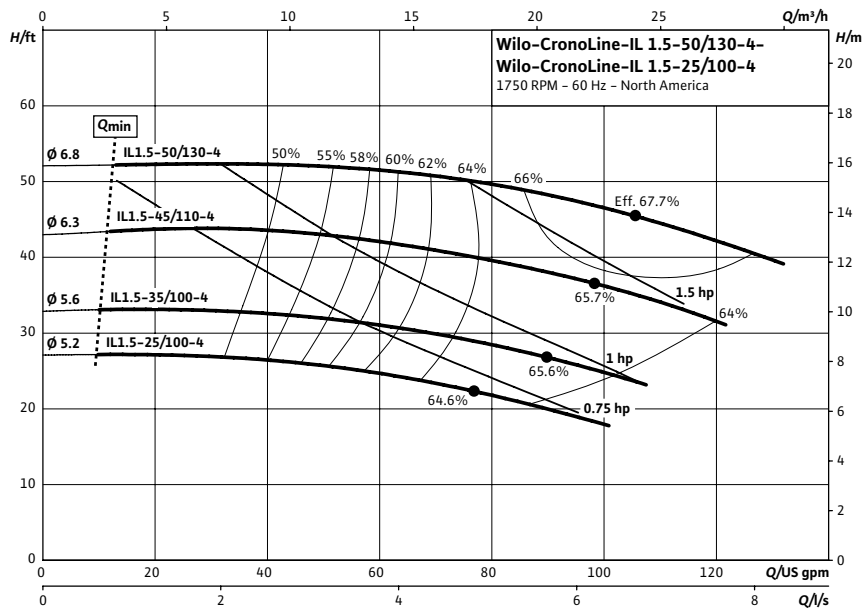


Wilo-IL 1.5-25 - 1.5-50 (4 Pole)



Project:								
Engineer:								
Contractor:								
Submitted By:						Date:		
Approved By:						Date:		

Tag #	Model #	Flow	Head	HP	Cycle	Phase	Voltage	RPM
					60Hz			1750



Product Info

Brand	Wilo
Product Description	IL 1.5-25 - IL 1.5-50

Construction Materials

Pump Volute	Cast Iron EN-GJL-250
Impeller	Bronze (cast iron optional)
Shaft	316L stainless steel
Mechanical Seal	Q1Q1X4GG (silicium carbide seal faces, HNBR elastomers)

Motor Data

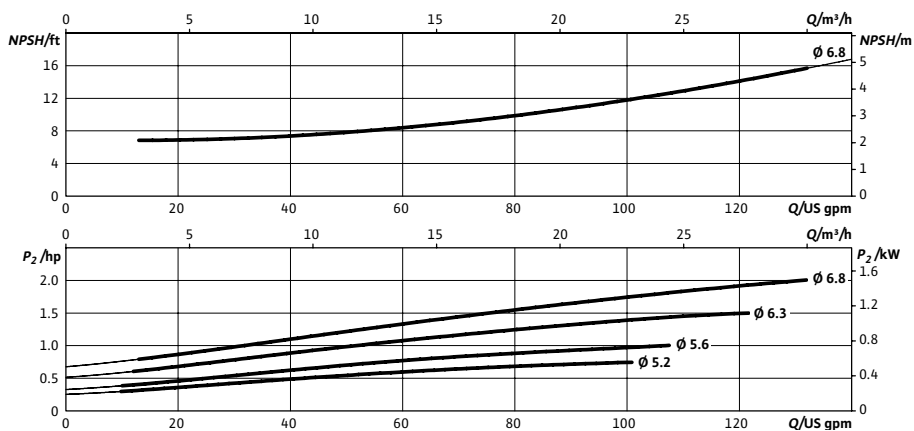
Power Supply	1~115/208-230 volt 3~208-230/460, 575 volt
Integrated full motor protection	integrated protection PTC/PTO on request (on-site trip unit required)
Protection Class	TEF (ODP on request)
Insulation Class	F

Hydraulic Data

Flange Connection	1 1/2" 125# ANSI compatible with 1/4" pressure gauge tappings
Max Operating Pressure	175 PSI (12 bar)
Min. Fluid Temp	-5°F (-20 °C)
Max Fluid Temp	285°F (140 °C)
Max. Ambient Temp	104°F (40 °C)

Application

- Hot water heating systems
- Air conditioning systems
- Closed cooling circuits
- Industrial circulation systems
- Solar Systems
- Geothermal Systems



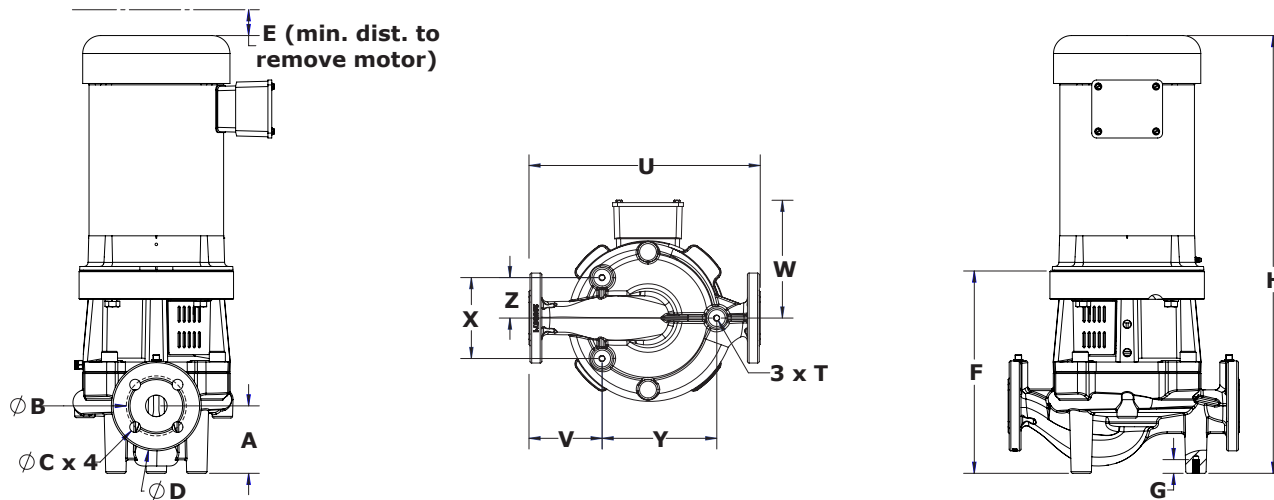
Approval Stamp

Submittal Data Sheet

In-line Centrifugal Pumps



Dimensions & Weights



Dimensions and Weights

Model	PEI	Voltage		P2	Phase	Dimensions (in)													Weight lbs
		[V]	Motor			[HP]	[~]	Dia	A	E	F	G	H	T	U	V	W	X	
IL 1.5 25/100-4		115/230	TEFC	¾	1	1.50	3.23	2.3	10.45	0.79	20.86	3/8"-16	14.5	5.22	5.18	5.12	8.15	2.56	103
		115/230	ODP	¾	1	1.50	3.23	2.3	10.45	0.79	20.28	3/8"-16	14.5	5.22	4.65	5.12	8.15	2.56	104
		208/230-460	TEFC	¾	3	1.50	3.23	2.3	10.45	0.79	19.73	3/8"-16	14.5	5.22	5.18	5.12	8.15	2.56	96
		208/230-460	ODP	¾	3	1.50	3.23	2.3	10.45	0.79	20.61	3/8"-16	14.5	5.22	5.62	5.12	8.15	2.56	102
		575	TEFC	¾	3	1.50	3.23	2.3	10.45	0.79	19.73	3/8"-16	14.5	5.22	5.18	5.12	8.15	2.56	96
		575	ODP	¾	3	1.50	3.23	2.31	10.45	0.79	19.49	3/8"-16	14.5	5.22	3.32	5.12	8.15	2.56	94
IL 1.5 35/100-4	0.92	115/230	TEFC	1	1	1.50	3.23	2.31	10.45	0.79	21.61	3/8"-16	14.5	5.22	5.71	5.12	8.15	2.56	110
		115/230	ODP	1	1	1.50	3.23	2.31	10.45	0.79	21.07	3/8"-16	14.5	5.22	4.65	5.12	8.15	2.56	110
		208/230-460	TEFC	1	3	1.50	3.23	2.31	10.45	0.79	20.61	3/8"-16	14.5	5.22	5.72	5.12	8.15	2.56	106
		208/230-460	ODP	1	3	1.50	3.23	2.31	10.45	0.79	20.61	3/8"-16	14.5	5.22	5.54	5.12	8.15	2.56	107
		575	TEFC	1	3	1.50	3.23	2.31	10.45	0.79	20.61	3/8"-16	14.5	5.22	5.71	5.12	8.15	2.56	105
		575	ODP	1	3	1.50	3.23	2.31	10.45	0.79	19.89	3/8"-16	14.5	5.22	3.32	5.12	8.15	2.56	96
IL 1.5 45/110-4	0.92	115/230	TEFC	1½	1	1.50	3.23	2.31	10.45	0.79	22.49	3/8"-16	14.5	5.22	5.75	5.12	8.15	2.56	118
		115/230	ODP	1½	1	1.50	3.23	2.31	10.45	0.79	21.46	3/8"-16	14.5	5.22	4.65	5.12	8.15	2.56	118
		208/230-460	TEFC	1½	3	1.50	3.23	2.31	10.45	0.79	21.61	3/8"-16	14.5	5.22	5.72	5.12	8.15	2.56	112
		208/230-460	ODP	1½	3	1.50	3.23	2.31	10.45	0.79	21.11	3/8"-16	14.5	5.22	5.88	5.12	8.15	2.56	107
		575	TEFC	1½	3	1.50	3.23	2.31	10.45	0.79	22.49	3/8"-16	14.5	5.22	5.71	5.12	8.15	2.56	120
		575	ODP	1½	3	1.50	3.23	2.31	10.45	0.79	21.11	3/8"-16	14.5	5.22	5.88	5.12	8.15	2.56	107
IL 1.5 50/130-4	0.92	115/230	TEFC	2	1	1.50	3.23	2.4	10.45	0.79	24.26	3/8"-16	14.5	5.22	5.88	5.12	8.15	2.56	122
		115/230	ODP	2	1	1.50	3.23	2.4	10.45	0.79	22.49	3/8"-16	14.5	5.22	5.56	5.12	8.15	2.56	120
		208/230-460	TEFC	2	3	1.50	3.23	2.4	10.45	0.79	21.61	3/8"-16	14.5	5.22	5.74	5.12	8.15	2.56	118
		208/230-460	ODP	2	3	1.50	3.23	2.4	10.45	0.79	21.57	3/8"-16	14.5	5.22	5.62	5.12	8.15	2.56	114
		575	TEFC	2	3	1.50	3.23	2.4	10.45	0.79	21.61	3/8"-16	14.5	5.22	5.74	5.12	8.15	2.56	117
		575	ODP	2	3	1.50	3.23	2.4	10.45	0.79	20.65	3/8"-16	14.5	5.22	5.88	5.12	8.15	2.56	111

Flange Dimensions

Dimensions - Inches		
ØB	ØC x 4	ØD
3.9	0.63 x 4	6.12