

Submittal Data Sheet

In-line Centrifugal Pumps



Wilo-IL 4-25 - 4-45 (4 Pole)



Project:								
Engineer:								
Contractor:								
Submitted By:						Date:		
Approved By:						Date:		

Tag #	Model #	Flow	Head	HP	Cycle	Phase	Voltage	RPM
					60Hz			1750

Product Info

Brand	Wilo
Product Description	IL 4-25 - IL 4-45

Construction Materials

Pump Volute	Cast Iron EN-GJL-250
Impeller	Bronze (cast iron optional)
Shaft	316L stainless steel
Mechanical Seal	Q1Q1X4GG (silicium carbide seal faces, HNBR elastomers)

Motor Data

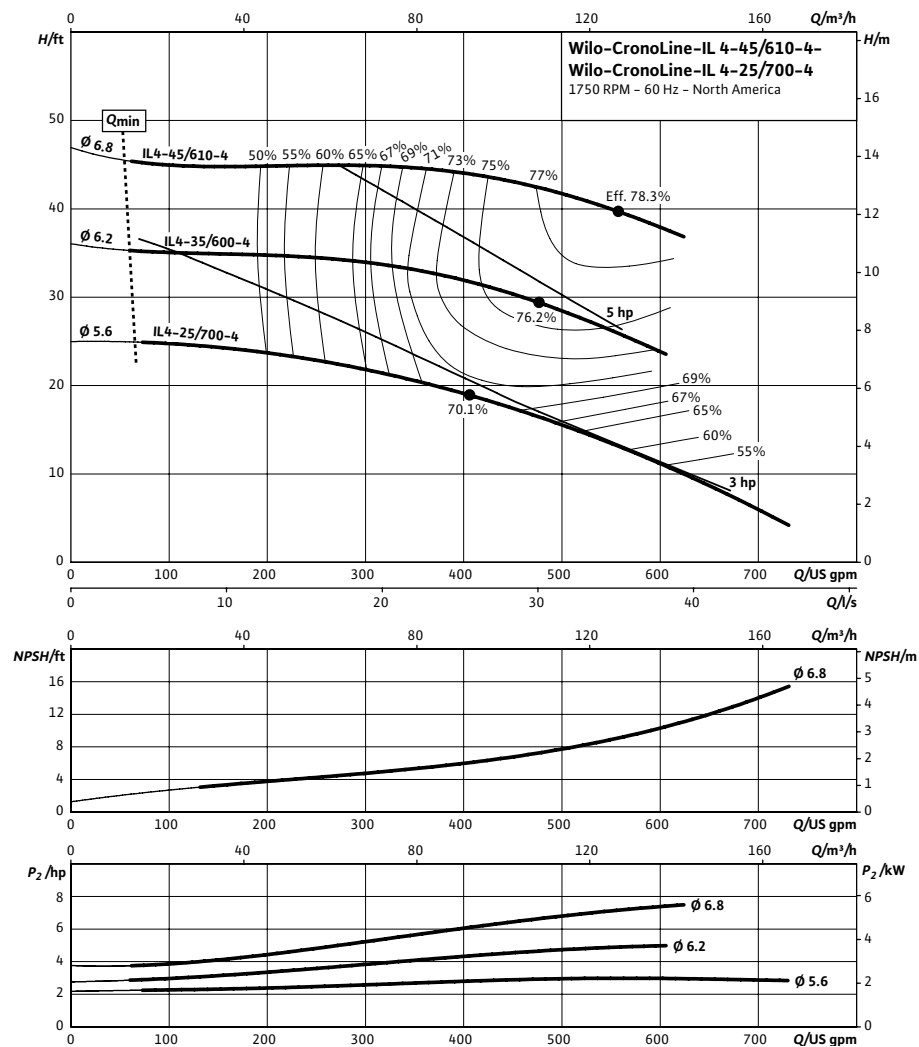
Power Supply	1~115/208-230 volt 3~208-230/460, 575 volt
Integrated full motor protection	integrated protection PTC/PTO on request (on-site trip unit required)
Protection Class	TEF (ODP on request)
Insulation Class	F

Hydraulic Data

Flange Connection	4" 125# ANSI compatible with 1/4" pressure gauge tappings
Max Operating Pressure	175 PSI (12 bar)
Min. Fluid Temp	-5°F (-20 °C)
Max Fluid Temp	285°F (140 °C)
Max. Ambient Temp	104°F (40 °C)

Application

- Hot water heating systems
- Air conditioning systems
- Closed cooling circuits
- Industrial circulation systems
- Solar Systems
- Geothermal Systems



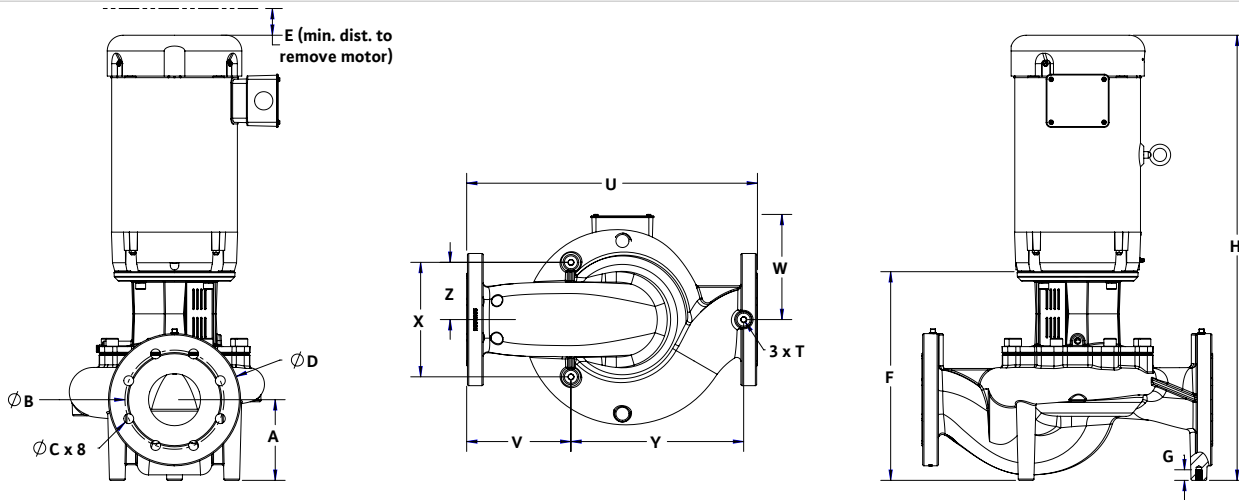
Approval Stamp

Submittal Data Sheet

In-line Centrifugal Pumps



Dimensions & Weights



Dimensions and Weights

Model	PEI	Voltage	P2	Phase	Dimensions (in)														Weight lbs
		[V]			Motor	[HP]	[-]	Dia	A	E	F	G	H	T	U	V	W	X	
IL 4 25/700-4	0.99	115	TEFC	3	1	4.00	5.2	2.87	15.65	0.79	29.37	1/2"-13	20.5	7.83	6.87	7.87	11.57	3.94	242
		115	ODP	3	1	4.00	5.2	2.87	15.65	0.79	29.37	1/2"-13	20.5	7.83	6.75	7.87	11.57	3.94	241
	0.99	208/230-460	TEFC	3	3	4.00	5.2	2.87	15.65	0.79	29.39	1/2"-13	20.5	7.83	6.87	7.87	11.57	3.94	236
		208/230-460	ODP	3	3	4.00	5.2	2.87	15.65	0.79	29.39	1/2"-13	20.5	7.83	6.75	7.87	11.57	3.94	237
		575	TEFC	3	3	4.00	5.2	2.87	15.65	0.79	29.39	1/2"-13	20.5	7.83	6.87	7.87	11.57	3.94	234
		575	ODP	3	3	4.00	5.2	2.87	15.65	0.79	27.97	1/2"-13	20.5	7.83	6.7	7.87	11.57	3.94	239
IL 4 35/600-4	0.99	208/230-460	TEFC	5	3	4.00	5.2	2.9	15.65	0.79	30.89	1/2"-13	20.5	7.83	6.87	7.87	11.57	3.94	251
		208/230-460	ODP	5	3	4.00	5.2	2.9	15.65	0.79	29.39	1/2"-13	20.5	7.83	6.75	7.87	11.57	3.94	255
	0.99	575	TEFC	5	3	4.00	5.2	2.9	15.65	0.79	30.89	1/2"-13	20.5	7.83	6.87	7.87	11.57	3.94	251
		575	ODP	5	3	4.00	5.2	2.9	15.65	0.79	29.15	1/2"-13	20.5	7.83	6.7	7.87	11.57	3.94	254
IL 4 45/610-4	0.99	208/230-460	TEFC	7½	3	4.00	5.2	3.4	15.65	0.79	32.03	1/2"-13	20.5	7.83	8.05	7.87	11.57	3.94	315
		208/230-460	ODP	7½	3	4.00	5.2	3.4	15.65	0.79	31.01	1/2"-13	20.5	7.83	7.91	7.87	11.57	3.94	284
	0.99	575	TEFC	7½	3	4.00	5.2	3.4	15.65	0.79	32.11	1/2"-13	20.5	7.83	8.05	7.87	11.57	3.94	315
		575	ODP	7½	3	4.00	5.2	3.4	15.65	0.79	28.91	1/2"-13	20.5	7.83	7.97	7.87	11.57	3.94	289

Flange Dimensions

Dimensions - Inches		
ØB	ØC x 4	ØD
7.5	0.75 x 4	10