

# Submittal Data Sheet

In-line Centrifugal Pumps



## Wilo-IL 3-85- 3-130 (4 Pole)



Project:								
Engineer:								
Contractor:								
Submitted By:						Date:		
Approved By:						Date:		

Tag #	Model #	Flow	Head	HP	Cycle	Phase	Voltage	RPM
					60Hz			1750

### Product Info

Brand	Wilo
Product Description	IL 3-85 - IL 3-130

### Construction Materials

Pump Volute	Cast Iron EN-GJL-250
Impeller	Bronze (cast iron optional)
Shaft	316L stainless steel
Mechanical Seal	Q1Q1X4GG (silicium carbide seal faces, HNBR elastomers)

### Motor Data

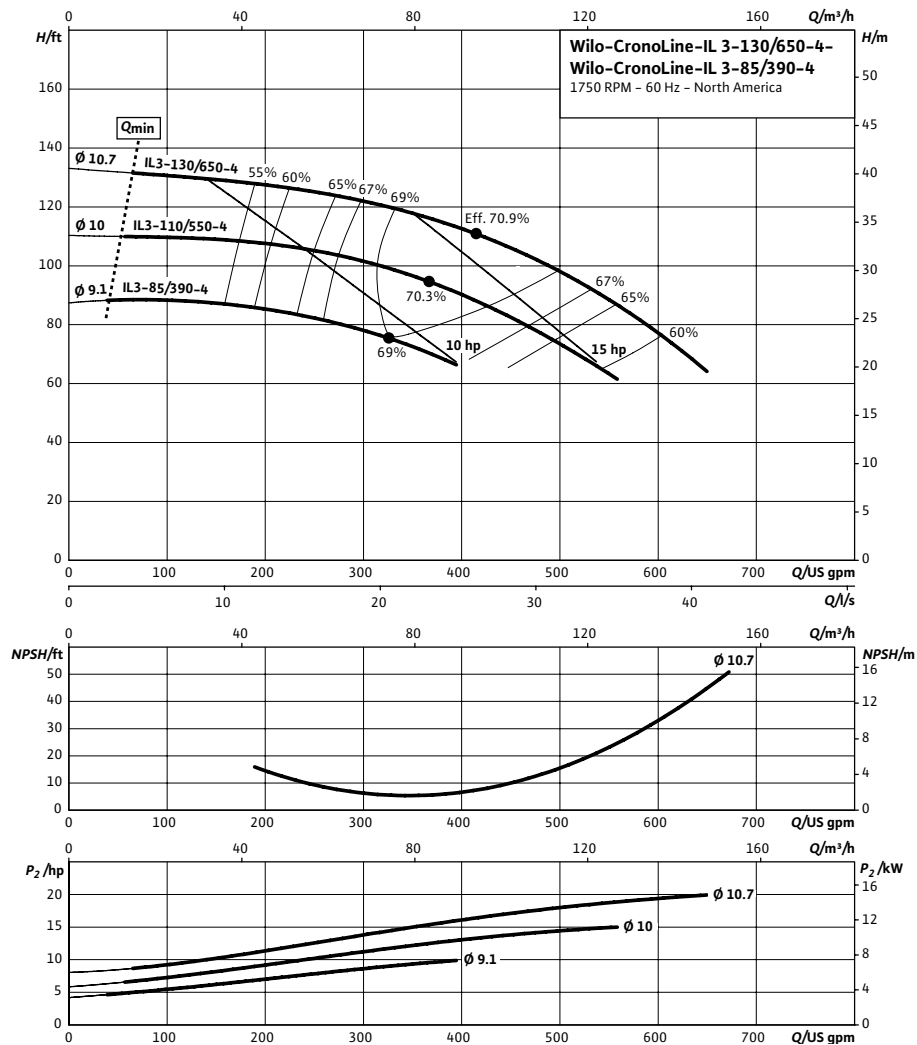
Power Supply	1~115/208-230 volt 3~208-230/460, 575 volt
Integrated full motor protection	integrated protection PTC/PTO on request (on-site trip unit required)
Protection Class	TEF (ODP on request)
Insulation Class	F

### Hydraulic Data

Flange Connection	3" 125# ANSI compatible with 1/4" pressure gauge tappings
Max Operating Pressure	175 PSI (12 bar)
Min. Fluid Temp	-5°F (-20 °C)
Max Fluid Temp	285°F (140 °C)
Max. Ambient Temp	104°F (40 °C)

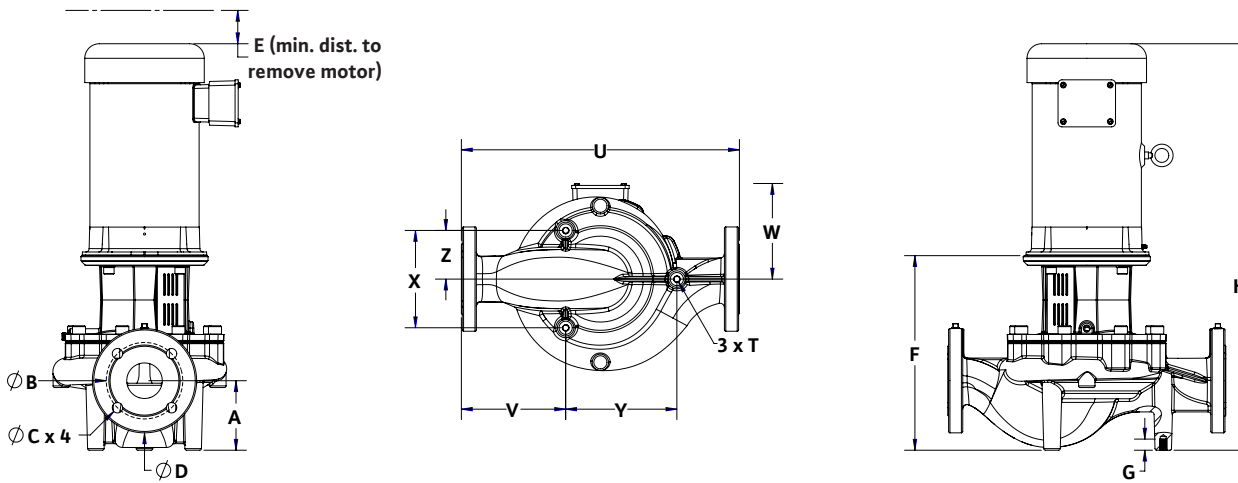
### Application

- Hot water heating systems
- Air conditioning systems
- Closed cooling circuits
- Industrial circulation systems
- Solar Systems
- Geothermal Systems



Approval Stamp

Dimensions & Weights



Dimensions and Weights

Model	PEI	Voltage		P2	Phase		Dimensions (in)											Weight lbs	
		[V]	Motor		[HP]	[~]	Dia	A	E	F	G	H	T	U	V	W	X		Y
IL 3 85/390-4	1.00	208/230-460	TEFC	10	3	3.00	4.85	3.4	15.23	0.79	33.12	1/2"-13	21.5	7.36	8.05	10	10	5	331
		208/230-460	ODP	10	3	3.00	4.85	3.4	15.23	0.79	30.59	1/2"-13	21.5	7.36	7.91	10	10	5	298
	575	TEFC	10	3	3.00	4.85	3.4	15.23	0.79	33.2	1/2"-13	21.5	7.36	8.05	10	10	5	331	
	575	ODP	10	3	3.00	4.85	3.4	15.23	0.79	28.5	1/2"-13	21.5	7.36	7.97	10	10	5	295	
IL 3 110/550-4	1.00	208/230-460	TEFC	15	3	3.00	4.85	4.0	15.23	0.79	35.07	1/2"-13	21.5	7.36	10.04	10	10	5	451
		208/230-460	ODP	15	3	3.00	4.85	4.0	15.23	0.79	35.29	1/2"-13	21.5	7.36	8.94	10	10	5	418
	575	TEFC	15	3	3.00	4.85	4.0	15.23	0.79	35.07	1/2"-13	21.5	7.36	10.04	10	10	5	434	
	575	ODP	15	3	3.00	4.85	4.0	15.23	0.79	32.32	1/2"-13	21.5	7.36	10.46	10	10	5	435	
IL 3 130/650-4	1.00	208/230-460	TEFC	20	3	3.00	4.85	4.0	15.23	0.79	35.07	1/2"-13	21.5	7.36	10.04	10	10	5	488
		208/230-460	ODP	20	3	3.00	4.85	4.0	15.23	0.79	34.41	1/2"-13	21.5	7.36	9.63	10	10	5	424
	575	TEFC	20	3	3.00	4.85	4.0	15.23	0.79	35.07	1/2"-13	21.5	7.36	10.04	10	10	5	464	
	575	ODP	20	3	3.00	4.85	4.0	15.23	0.79	34.07	1/2"-13	21.5	7.36	10.46	10	10	5	468	

Flange Dimensions

Dimensions - Inches		
ØB	ØC x 4	ØD
6	0.75 x 4	8.25