

Submittal Data Sheet

In-line Centrifugal Pumps



Wilo-IL 3-45 - 3-80 (4 Pole)



Project:								
Engineer:								
Contractor:								
Submitted By:						Date:		
Approved By:						Date:		

Tag #	Model #	Flow	Head	HP	Cycle	Phase	Voltage	RPM
					60Hz			1750

Product Info

Brand	Wilo
Product Description	IL 3-45 - IL 3-80

Construction Materials

Pump Volute	Cast Iron EN-GJL-250
Impeller	Bronze (cast iron optional)
Shaft	316L stainless steel
Mechanical Seal	Q1Q1X4GG (silicium carbide seal faces, HNBR elastomers)

Motor Data

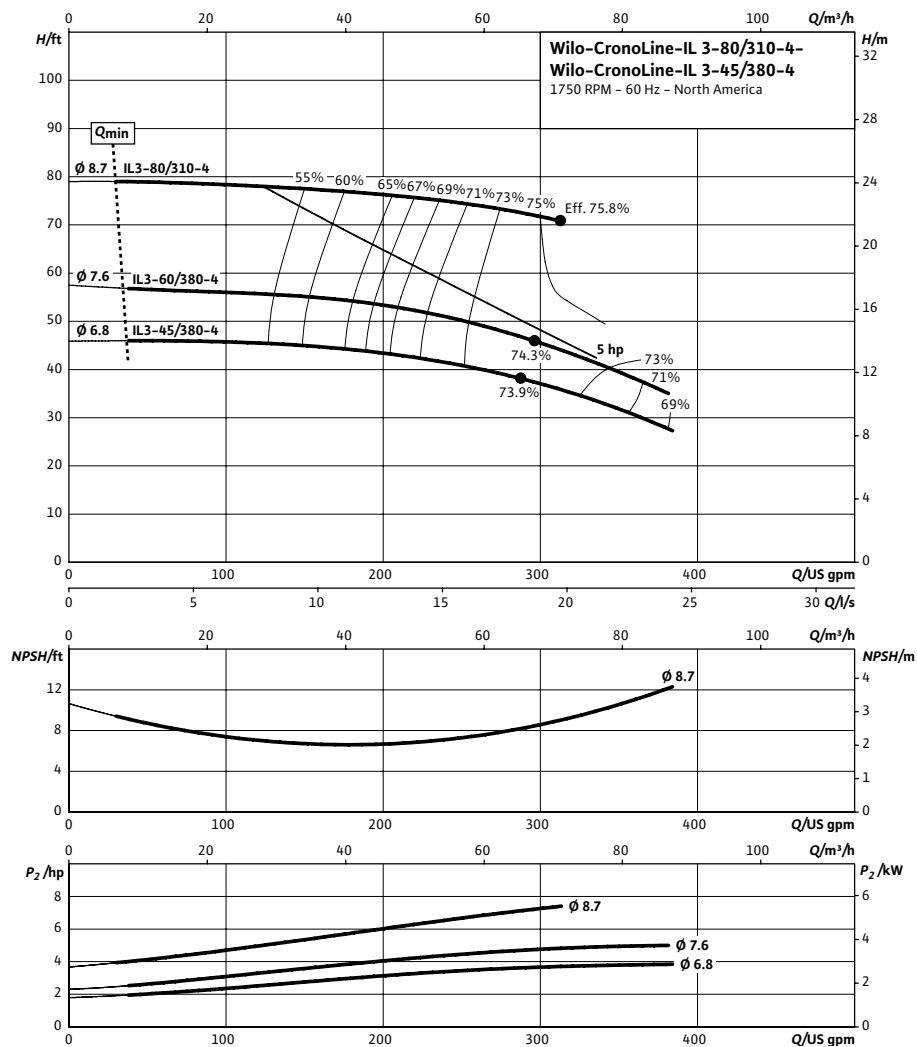
Power Supply	1-115/208-230 volt 3-208-230/460, 575 volt
Integrated full motor protection	integrated protection PTC/PTO on request (on-site trip unit required)
Protection Class	TEF (ODP on request)
Insulation Class	F

Hydraulic Data

Flange Connection	3" 125# ANSI compatible with 1/4" pressure gauge tappings
Max Operating Pressure	175 PSI (12 bar)
Min. Fluid Temp	-5°F (-20 °C)
Max Fluid Temp	285°F (140 °C)
Max. Ambient Temp	104°F (40 °C)

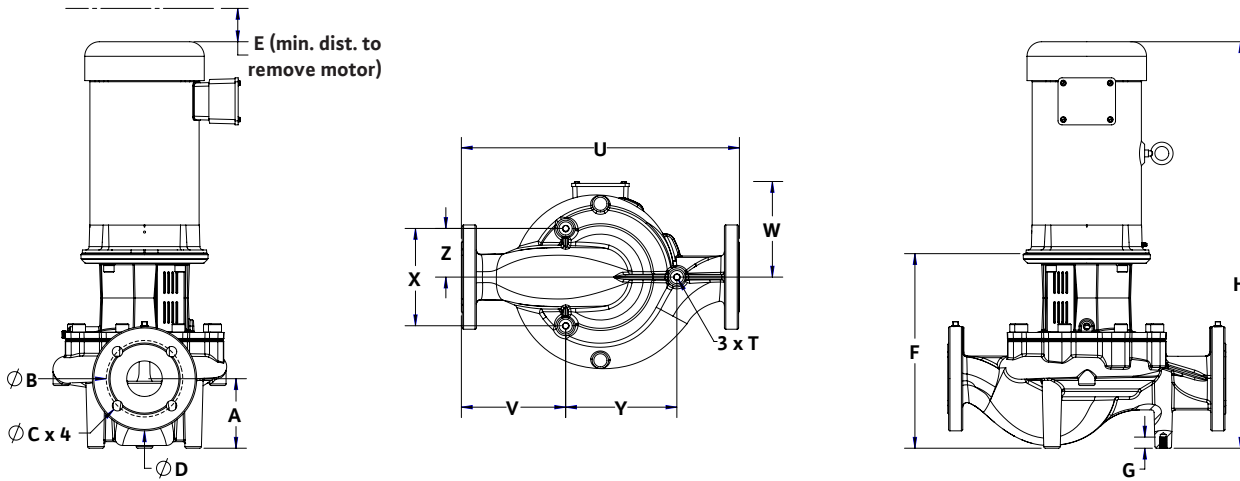
Application

- Hot water heating systems
- Air conditioning systems
- Closed cooling circuits
- Industrial circulation systems
- Solar Systems
- Geothermal Systems



Approval Stamp

Dimensions & Weights



Dimensions and Weights

Model	PEI	Voltage		P2	Phase	Dimensions (in)													Weight lbs
		[V]	Motor			[HP]	[~]	Dia	A	E	F	G	H	T	U	V	W	X	
IL 3 45/380-4	0.95	208/230-460	TEFC	5	3	3.00	5.71	2.87	15	0.79	30.24	1/2"-13	21	8.87	6.87	8.66	9.13	4.33	234
		208/230-460	ODP	5	3	3.00	5.71	2.87	15	0.79	28.74	1/2"-13	21	8.87	6.75	8.66	9.13	4.33	238
	575	TEFC	5	3	3.00	5.71	2.87	15	0.79	30.24	1/2"-13	21	8.87	6.87	8.66	9.13	4.33	234	
	575	ODP	5	3	3.00	5.71	2.87	15	0.79	28.5	1/2"-13	21	8.87	6.7	8.66	9.13	4.33	237	
IL 3 60/380-4	0.95	208/230-460	TEFC	5	3	3.00	5.71	2.87	15	0.79	30.24	1/2"-13	21	8.87	6.87	8.66	9.13	4.33	234
		208/230-460	ODP	5	3	3.00	5.71	2.87	15	0.79	28.74	1/2"-13	21	8.87	6.75	8.66	9.13	4.33	238
	575	TEFC	5	3	3.00	5.71	2.87	15	0.79	30.24	1/2"-13	21	8.87	6.87	8.66	9.13	4.33	234	
	575	ODP	5	3	3.00	5.71	2.87	15	0.79	28.5	1/2"-13	21	8.87	6.7	8.66	9.13	4.33	237	
IL 3 80/310-4	0.95	208/230-460	TEFC	7½	3	3.00	5.71	3.4	15	0.79	31.39	1/2"-13	21	8.87	8.05	8.66	9.13	4.33	298
		208/230-460	ODP	7½	3	3.00	5.71	3.4	15	0.79	30.36	1/2"-13	21	8.87	7.91	8.66	9.13	4.33	267
	575	TEFC	7½	3	3.00	5.71	3.4	15	0.79	31.47	1/2"-13	21	8.87	8.05	8.66	9.13	4.33	298	
	575	ODP	7½	3	3.00	5.71	3.4	15	0.79	28.27	1/2"-13	21	8.87	7.97	8.66	9.13	4.33	272	

Flange Dimensions

Dimensions - Inches		
ØB	ØC x 4	ØD
6	0.75 x 4	8.25