

Submittal Data Sheet

In-line Centrifugal Pumps

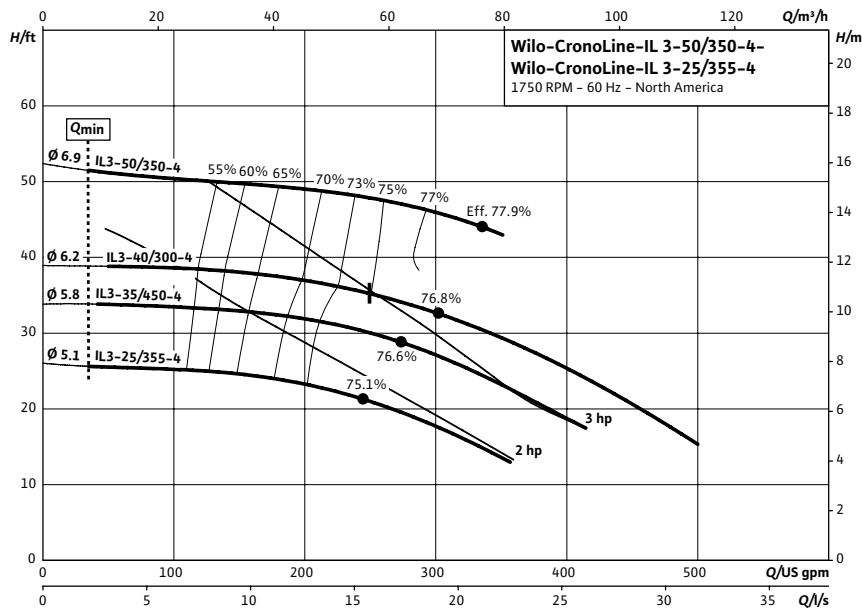


Wilo-IL 3-25 - 3-50 (4 Pole)



Project:	
Engineer:	
Contractor:	
Submitted By:	Date:
Approved By:	Date:

Tag #	Model #	Flow	Head	HP	Cycle	Phase	Voltage	RPM
					60Hz			1750



Product Info

Brand	Wilo
Product Description	IL 3-25 - IL 3-50

Construction Materials

Pump Volute	Cast Iron EN-GJL-250
Impeller	Bronze (cast iron optional)
Shaft	316L stainless steel
Mechanical Seal	Q1Q1X4GG (silicium carbide seal faces, HNBR elastomers)

Motor Data

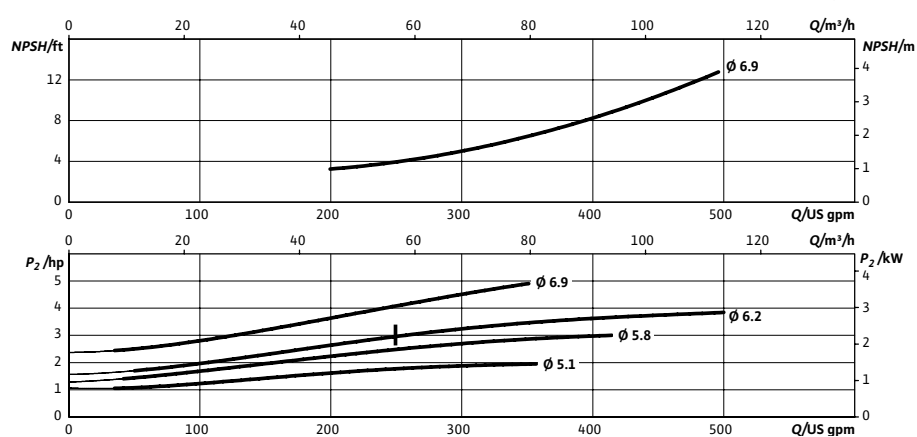
Power Supply	1~115/208-230 volt 3~208-230/460, 575 volt
Integrated full motor protection	integrated protection PTC/PTO on request (on-site trip unit required)
Protection Class	TEF (ODP on request)
Insulation Class	F

Hydraulic Data

Flange Connection	3" 125# ANSI compatible with 1/4" pressure gauge tappings
Max Operating Pressure	175 PSI (12 bar)
Min. Fluid Temp	-5°F (-20 °C)
Max Fluid Temp	285°F (140 °C)
Max. Ambient Temp	104°F (40 °C)

Application

- Hot water heating systems
- Air conditioning systems
- Closed cooling circuits
- Industrial circulation systems
- Solar Systems
- Geothermal Systems



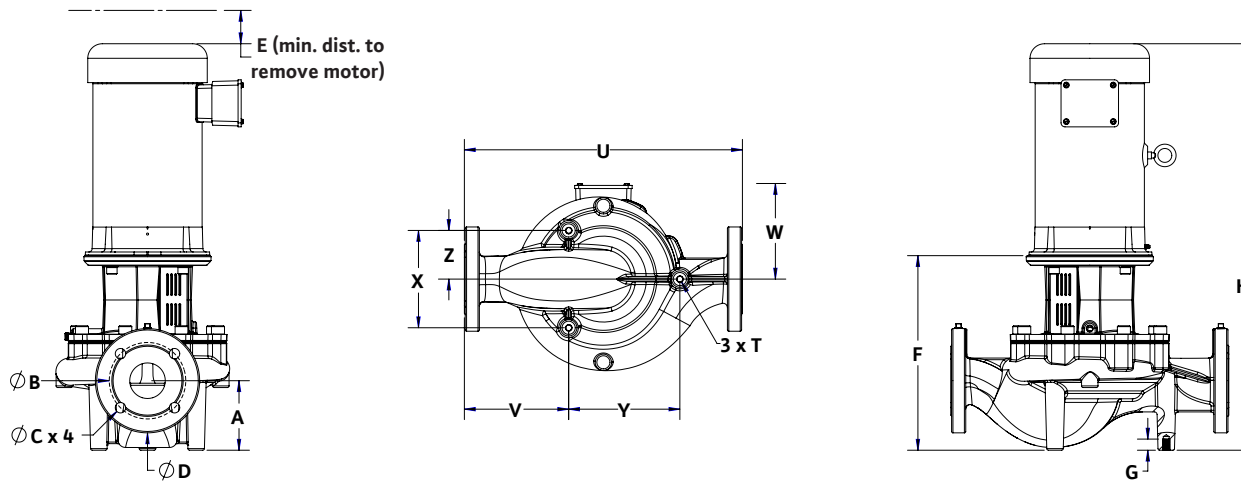
Approval Stamp

Submittal Data Sheet

In-line Centrifugal Pumps



Dimensions & Weights



Dimensions and Weights

Model	PEI	Voltage		P2	Phase	Dimensions (in)													Weight lbs
		[V]	Motor			[HP]	[~]	Dia	A	E	F	G	H	T	U	V	W	X	
IL 3 25/355-4	0.97	115/230	TEFC	2	1	3.00	4.84	2.4	12.73	0.79	26.54	1/2"-13	19	7.6	5.88	7.09	7.87	3.55	165
		115/230	ODP	2	1	3.00	4.84	2.4	12.73	0.79	24.77	1/2"-13	19	7.6	5.56	7.09	7.87	3.55	163
	0.97	208/230-460	TEFC	2	3	3.00	4.84	2.4	12.73	0.79	23.89	1/2"-13	19	7.6	5.74	7.09	7.87	3.55	161
		208/230-460	ODP	2	3	3.00	4.84	2.4	12.73	0.79	23.85	1/2"-13	19	7.6	5.62	7.09	7.87	3.55	157
		575	TEFC	2	3	3.00	4.84	2.4	12.73	0.79	23.89	1/2"-13	19	7.6	5.74	7.09	7.87	3.55	160
		575	ODP	2	3	3.00	4.84	2.4	12.73	0.79	22.93	1/2"-13	19	7.6	5.88	7.09	7.87	3.55	154
IL 3 35/450-4	0.97	115	TEFC	3	1	3.00	4.84	2.87	13.93	0.79	27.65	1/2"-13	19	7.6	6.87	7.09	7.87	3.55	203
		115	ODP	3	1	3.00	4.84	2.87	13.93	0.79	27.65	1/2"-13	19	7.6	6.75	7.09	7.87	3.55	202
	0.97	208/230-460	TEFC	3	3	3.00	4.84	2.87	13.93	0.79	27.67	1/2"-13	19	7.6	6.87	7.09	7.87	3.55	197
		208/230-460	ODP	3	3	3.00	4.84	2.87	13.93	0.79	27.67	1/2"-13	19	7.6	6.75	7.09	7.87	3.55	198
		575	TEFC	3	3	3.00	4.84	2.87	13.93	0.79	27.67	1/2"-13	19	7.6	6.87	7.09	7.87	3.55	195
		575	ODP	3	3	3.00	4.84	2.87	13.93	0.79	26.25	1/2"-13	19	7.6	6.7	7.09	7.87	3.55	200
IL 3 40/300-4	0.97	115	TEFC	3	1	3.00	4.84	2.87	13.93	0.79	27.65	1/2"-13	19	7.6	6.87	7.09	7.87	3.55	203
		115	ODP	3	1	3.00	4.84	2.87	13.93	0.79	27.65	1/2"-13	19	7.6	6.75	7.09	7.87	3.55	202
	0.97	208/230-460	TEFC	3	3	3.00	4.84	2.87	13.93	0.79	27.67	1/2"-13	19	7.6	6.87	7.09	7.87	3.55	197
		208/230-460	ODP	3	3	3.00	4.84	2.87	13.93	0.79	27.67	1/2"-13	19	7.6	6.75	7.09	7.87	3.55	198
		575	TEFC	3	3	3.00	4.84	2.87	13.93	0.79	27.67	1/2"-13	19	7.6	6.87	7.09	7.87	3.55	195
		575	ODP	3	3	3.00	4.84	2.87	13.93	0.79	26.25	1/2"-13	19	7.6	6.7	7.09	7.87	3.55	200
IL 3 50/350-4	0.97	208/230-460	TEFC	5	3	3.00	4.84	2.9	13.93	0.79	29.17	1/2"-13	19	7.6	6.87	7.09	7.87	3.55	212
		208/230-460	ODP	5	3	3.00	4.84	2.9	13.93	0.79	27.67	1/2"-13	19	7.6	6.75	7.09	7.87	3.55	216
	0.97	575	TEFC	5	3	3.00	4.84	2.9	13.93	0.79	29.17	1/2"-13	19	7.6	6.87	7.09	7.87	3.55	212
		575	ODP	5	3	3.00	4.84	2.9	13.93	0.79	27.43	1/2"-13	19	7.6	6.7	7.09	7.87	3.55	215

Flange Dimensions

Dimensions - Inches

ϕB	$\phi C \times 4$	ϕD
6	0.75 x 4	8.25