

# Submittal Data Sheet

In-line Centrifugal Pumps



## Wilo-IL 3-60 - 3-120 (2 Pole)



Project:							
Engineer:							
Contractor:							
Submitted By:					Date:		
Approved By:					Date:		

Tag #	Model #	Flow	Head	HP	Cycle	Phase	Voltage	RPM
					60Hz			3500

### Product Info

Brand	Wilo
Product Description	IL 3-60 - IL 3-120

### Construction Materials

Pump Volute	Cast Iron EN-GJL-250
Impeller	Bronze (cast iron optional)
Shaft	316L stainless steel
Mechanical Seal	Q1Q1X4GG (silicium carbide seal faces, HNBR elastomers)

### Motor Data

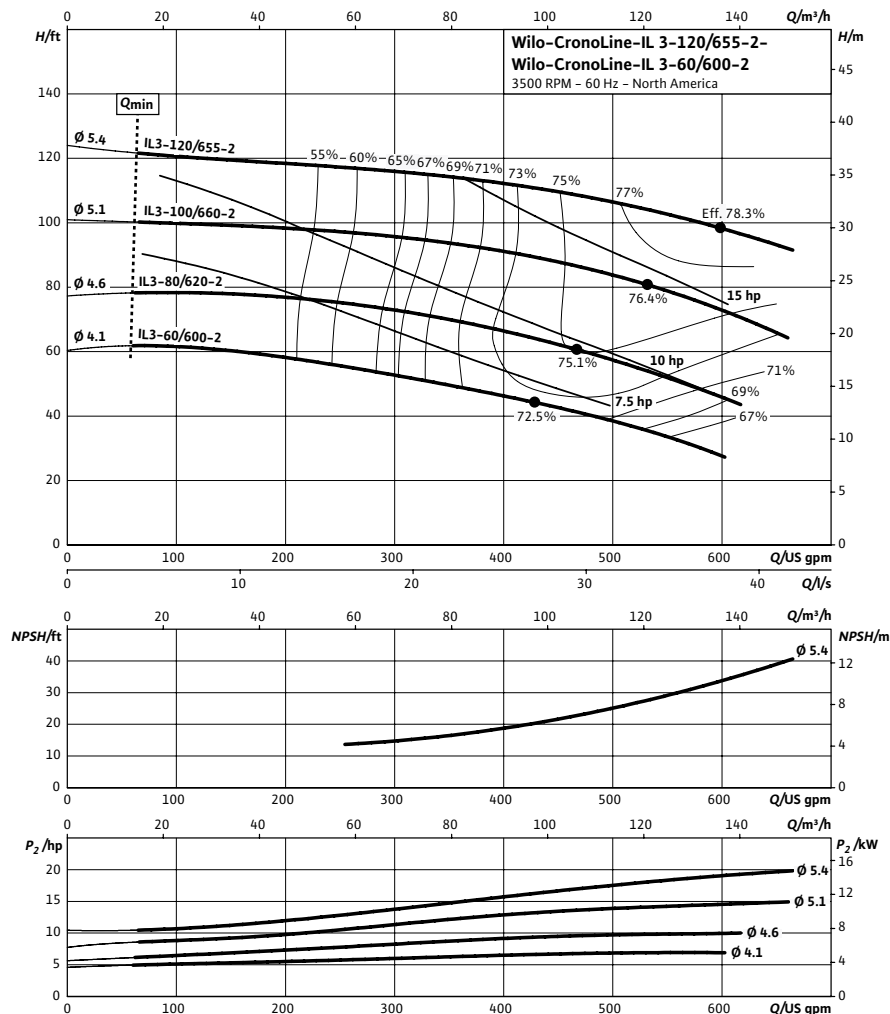
Power Supply	1~115/208-230 volt 3~208-230/460, 575 volt
Integrated full motor protection	integrated protection PTC/PTO on request (on-site trip unit required)
Protection Class	TEFC (ODP on request)
Insulation Class	F

### Hydraulic Data

Flange Connection	3" 125# ANSI compatible with 1/4" pressure gauge tapings
Max Operating Pressure	175 PSI (12 bar)
Min. Fluid Temp	-5°F (-20 °C)
Max Fluid Temp	285°F (140 °C)
Max. Ambient Temp	104°F (40 °C)

### Application

- Hot water heating systems
- Air conditioning systems
- Closed cooling circuits
- Industrial circulation systems
- Solar Systems
- Geothermal Systems



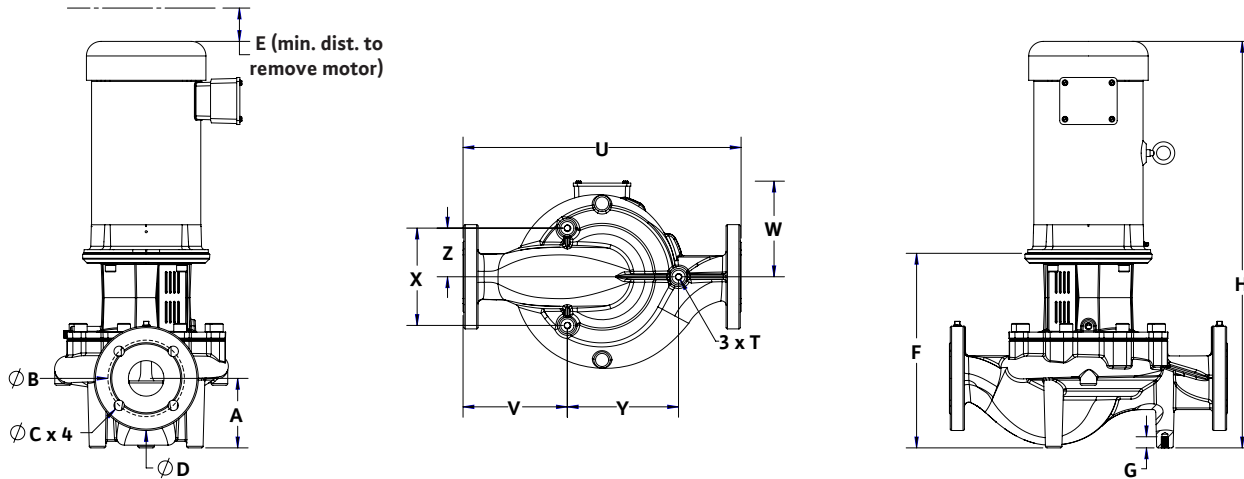
Approval Stamp

# Submittal Data Sheet

In-line Centrifugal Pumps



## Dimensions & Weights



## Dimensions and Weights

Model	Voltage		Motor	P2 [HP]	Phase [-]	Dimensions (in)													Weight lbs
	PEI	[V]				Dia	A	E	F	G	H	T	U	V	W	X	Y	Z	
IL 3-60/600-2	0.95	208/230-460	TEFC	7.5	3	3.00	4.27	3.38	14.5	0.79	29.71	1/2"-13	17.5	6.59	5.97	7.09	7.76	3.54	231
		575	TEFC	7.5	3	3.00	4.27	3.37	14.5	0.79	30.43	1/2"-13	17.5	6.59	5.97	7.09	7.76	3.54	236
IL 3-80/620-2	0.95	208/230-460	TEFC	10	3	3.00	4.27	3.34	14.5	0.79	29.83	1/2"-13	17.5	6.59	7.96	7.09	7.76	3.54	260
		208/230-460	ODP	10	3	3.00	4.27	3.37	14.5	0.79	28.23	1/2"-13	17.5	6.59	7.87	7.09	7.76	3.54	256
	575	TEFC	10	3	3.00	4.27	3.34	14.5	0.79	29.83	1/2"-13	17.5	6.59	8.05	7.09	7.76	3.54	253	
		ODP	10	3	3.00	4.27	3.38	14.5	0.79	28.15	1/2"-13	17.5	6.59	7.97	7.09	7.76	3.54	261	
IL 3-100/660-2	0.95	208/230-460	TEFC	15	3	3.00	4.27	3.37	14.5	0.79	32.46	1/2"-13	17.5	6.59	8.05	7.09	7.76	3.54	305
		208/230-460	ODP	15	3	3.00	4.27	3.37	14.5	0.79	29.85	1/2"-13	17.5	6.59	7.91	7.09	7.76	3.54	266
	575	TEFC	15	3	3.00	4.27	3.37	14.5	0.79	32.46	1/2"-13	17.5	6.59	8.05	7.09	7.76	3.54	304	
		ODP	15	3	3.00	4.27	3.38	14.5	0.79	28.94	1/2"-13	17.5	6.59	7.97	7.09	7.76	3.54	277	
IL 3-120/655-2	0.95	208/230-460	TEFC	20	3	3.00	4.27	4	14.5	0.79	34.33	1/2"-13	17.5	6.59	10.04	7.09	7.76	3.54	366
		208/230-460	ODP	20	3	3.00	4.27	4	14.5	0.79	32.55	1/2"-13	17.5	6.59	9.49	7.09	7.76	3.54	327
	575	TEFC	20	3	3.00	4.27	4	14.5	0.79	35.58	1/2"-13	17.5	6.59	10	7.09	7.76	3.54	426	
		ODP	20	3	3.00	4.27	4	14.5	0.79	31.58	1/2"-13	17.5	6.59	10.46	7.09	7.76	3.54	358	

## Flange Dimensions

Dimensions - Inches

$\phi B$	$\phi C \times 4$	$\phi D$
6	0.75 x 4	8.25