

# Submittal Data Sheet

In-line Centrifugal Pumps



## Wilo-IL 2.5-275 - 2.5-320 (2 Pole)



Project:	
Engineer:	
Contractor:	
Submitted By:	Date:
Approved By:	Date:

Tag #	Model #	Flow	Head	HP	Cycle	Phase	Voltage	RPM
					60Hz			3500

### Product Info

Brand	Wilo
Product Description	IL 2.5-275 - IL 2.5-320

### Construction Materials

Pump Volute	Cast Iron EN-GJL-250
Impeller	Bronze (cast iron optional)
Shaft	316L stainless steel
Mechanical Seal	Q1Q1X4GG (silicium carbide seal faces, HNBR elastomers)

### Motor Data

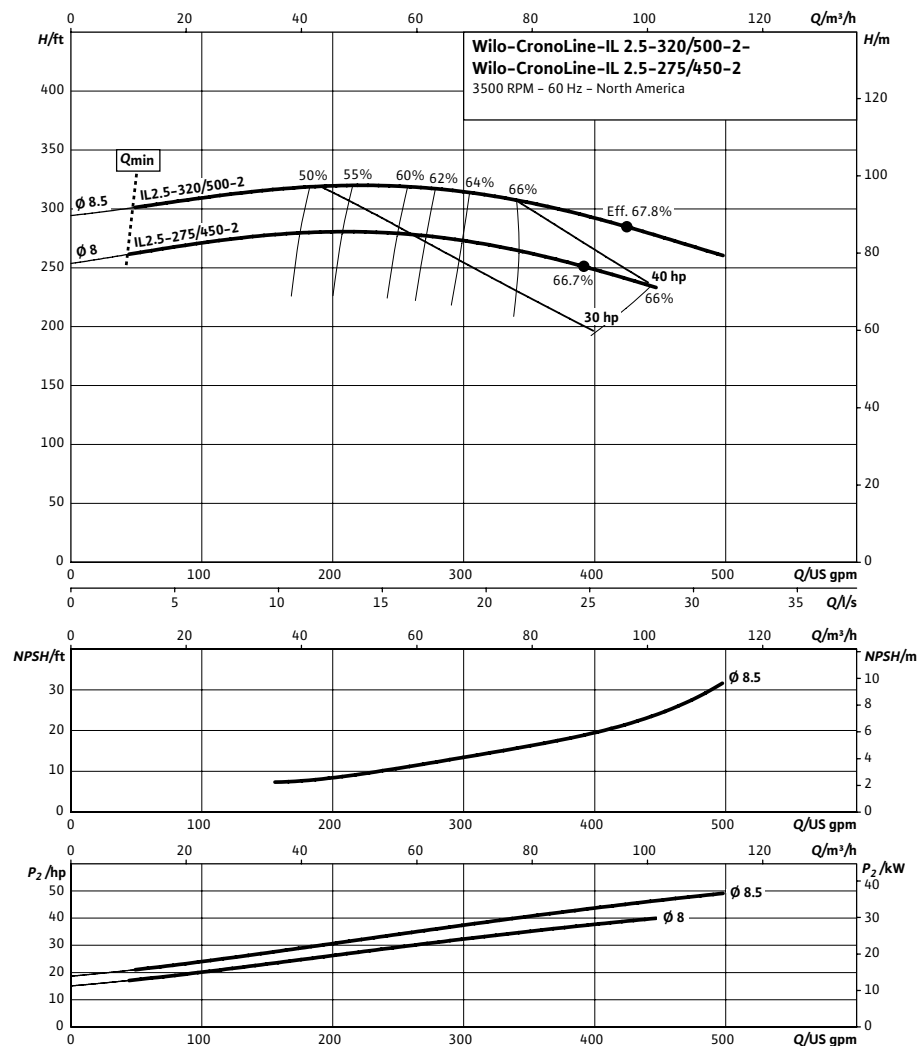
Power Supply	1~115/208-230 volt 3~208-230/460, 575 volt
Integrated full motor protection	integrated protection PTC/PTO on request (on-site trip unit required)
Protection Class	TEFC (ODP on request)
Insulation Class	F

### Hydraulic Data

Flange Connection	2 1/2" 125# ANSI compatible with 1/4" pressure gauge tappings
Max Operating Pressure	175 PSI (12 bar)
Min. Fluid Temp	-5°F (-20 °C)
Max Fluid Temp	285°F (140 °C)
Max. Ambient Temp	104°F (40 °C)

### Application

- Hot water heating systems
- Air conditioning systems
- Closed cooling circuits
- Industrial circulation systems
- Solar Systems
- Geothermal Systems



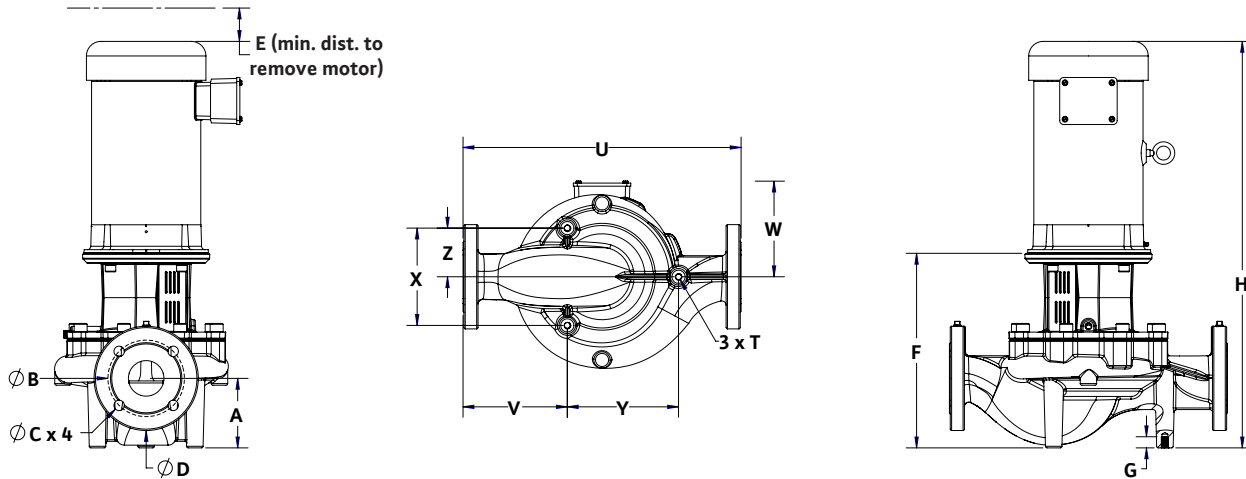
Approval Stamp

# Submittal Data Sheet

In-line Centrifugal Pumps



## Dimensions & Weights



## Dimensions and Weights

Model	PEI	Voltage		P2	Phase	Dimensions (in)													Weight lbs
		[V]	Motor			Dia	A	E	F	G	H	T	U	V	W	X	Y	Z	
IL 2.5-275/450-2	0.99	208/230-460	TEFC	40	3	2.50	5	3.75	14.82	0.79	39.9	1/2"-13	20	7.5	13.74	7	8	3.5	619
		208/230-460	ODP	40	3	2.50	5	3.75	14.82	0.79	40.72	1/2"-13	20	7.5	12.58	7	8	3.5	714
	575	TEFC	40	3	2.50	5	3.25	14.29	0.79	34.38	1/2"-13	20	7.5	11.93	7	8	3.5	506	
		ODP	40	3	2.50	5	3.25	14.29	0.79	34.38	1/2"-13	20	7.5	11.93	7	8	3.5	549	
IL 2.5-320/500-2	0.98	208/230-460	TEFC	30	3	2.50	5	3.25	14.29	0.79	33.47	1/2"-13	20	7.5	11.52	7	8	3.5	546
		208/230-460	ODP	30	3	2.50	5	3.25	14.29	0.79	35.96	1/2"-13	20	7.5	12.21	7	8	3.5	478
	575	TEFC	30	3	2.50	5	3.25	14.29	0.79	37.64	1/2"-13	20	7.5	11.08	7	8	3.5	559	
		ODP	30	3	2.50	5	3.25	14.29	0.79	32.88	1/2"-13	20	7.5	11.93	7	8	3.5	461	

## Flange Dimensions

Dimensions - Inches		
ØB	ØC x 4	ØD
5.5	0.75 x 4	7.5