

Submittal Data Sheet

In-line Centrifugal Pumps



Wilo-IL 2.5-90 - 2.5-190 (2 Pole)



Project:								
Engineer:								
Contractor:								
Submitted By:						Date:		
Approved By:						Date:		

Tag #	Model #	Flow	Head	HP	Cycle	Phase	Voltage	RPM
					60Hz			3500

Product Info

Brand	Wilo
Product Description	IL 2.5-90 - IL 2.5-190

Construction Materials

Pump Volute	Cast Iron EN-GJL-250
Impeller	Bronze (cast iron optional)
Shaft	316L stainless steel
Mechanical Seal	Q1Q1X4GG (silicium carbide seal faces, HNBR elastomers)

Motor Data

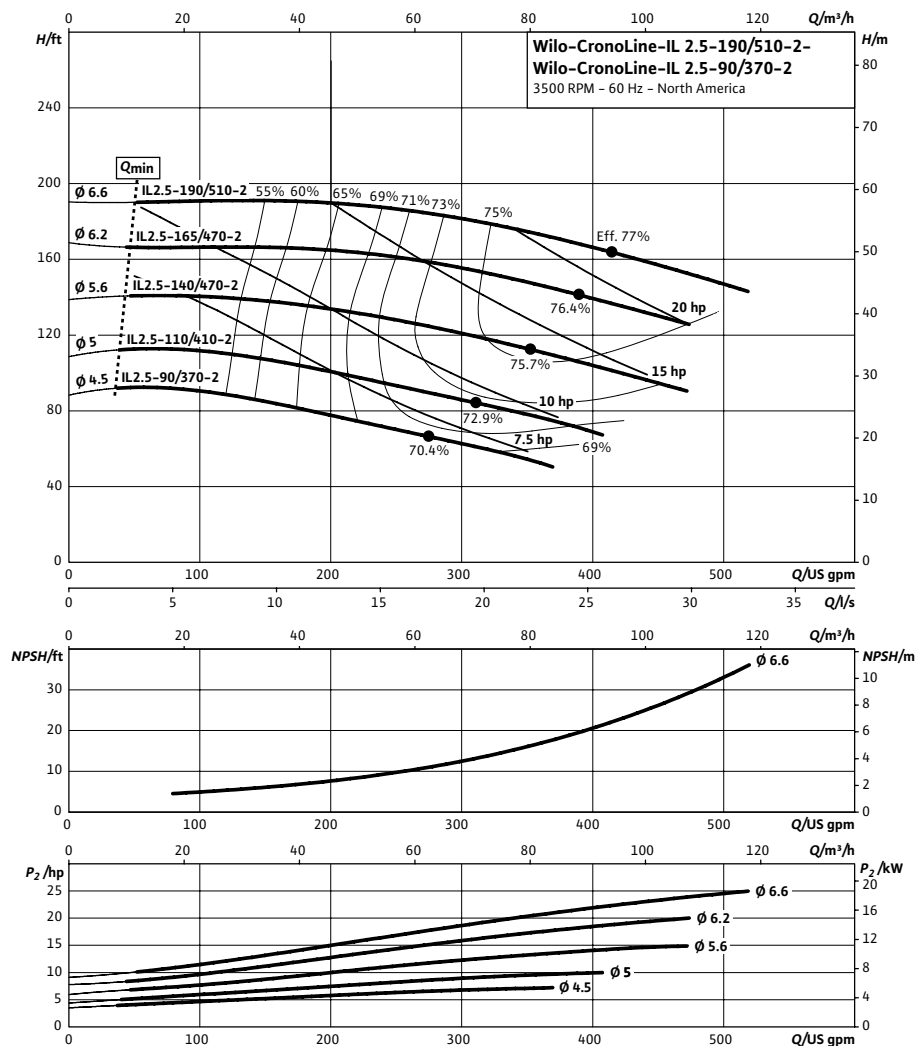
Power Supply	1-115/208-230 volt 3-208-230/460, 575 volt
Integrated full motor protection	integrated protection PTC/PTO on request (on-site trip unit required)
Protection Class	TEFC (ODP on request)
Insulation Class	F

Hydraulic Data

Flange Connection	2 1/2" 125# ANSI compatible with 1/4" pressure gauge tappings
Max Operating Pressure	175 PSI (12 bar)
Min. Fluid Temp	-5°F (-20 °C)
Max Fluid Temp	285°F (140 °C)
Max. Ambient Temp	104°F (40 °C)

Application

- Hot water heating systems
- Air conditioning systems
- Closed cooling circuits
- Industrial circulation systems
- Solar Systems
- Geothermal Systems



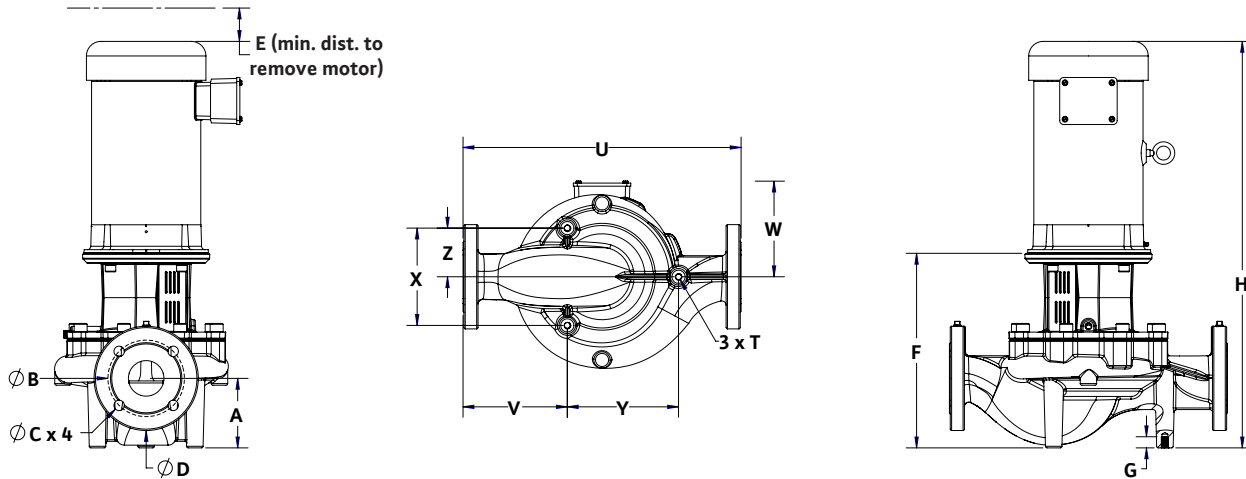
Approval Stamp

Submittal Data Sheet

In-line Centrifugal Pumps



Dimensions & Weights



Dimensions and Weights

Model	PEI	Voltage		P2	Phase	Dimensions (in)													Weight lbs
		[V]	Motor			[HP]	[~]	Dia	A	E	F	G	H	T	U	V	W	X	
IL 2.5-90/370-2	0.92	208/230-460	TEFC	7.5	3	2.50	4.33	3.38	14.16	0.79	29.38	1/2"-13	17.5	6.64	5.97	7.09	7.87	3.55	202
		208/230-460	ODP	7.5	3	2.50	4.33	2.87	13.61	0.79	25.79	1/2"-13	17.5	6.64	6.79	7.09	7.87	3.55	199
	575	TEFC	7.5	3	2.50	4.33	3.37	14.16	0.79	30.1	1/2"-13	17.5	6.64	5.97	7.09	7.87	3.55	207	
	575	ODP	7.5	3	2.50	4.33	2.87	13.61	0.79	25.93	1/2"-13	17.5	6.64	6.7	7.09	7.87	3.55	201	
IL 2.5-110/410-2	0.92	208/230-460	TEFC	10	3	2.50	4.33	3.34	14.16	0.79	29.5	1/2"-13	17.5	6.64	7.96	7.09	7.87	3.55	231
		208/230-460	ODP	10	3	2.50	4.33	3.37	14.16	0.79	27.9	1/2"-13	17.5	6.64	7.87	7.09	7.87	3.55	227
		575	TEFC	10	3	2.50	4.33	3.34	14.16	0.79	29.5	1/2"-13	17.5	6.64	8.05	7.09	7.87	3.55	224
IL 2.5-140/470-2	0.92	208/230-460	TEFC	15	3	2.50	4.33	3.37	14.16	0.79	32.12	1/2"-13	17.5	6.64	8.05	7.09	7.87	3.55	276
		208/230-460	ODP	15	3	2.50	4.33	3.37	14.16	0.79	29.52	1/2"-13	17.5	6.64	7.91	7.09	7.87	3.55	237
		575	TEFC	15	3	2.50	4.33	3.37	14.16	0.79	32.12	1/2"-13	17.5	6.64	8.05	7.09	7.87	3.55	275
		575	ODP	15	3	2.50	4.33	3.38	14.16	0.79	28.6	1/2"-13	17.5	6.64	7.97	7.09	7.87	3.55	248
IL 2.5-165/470-2	0.92	208/230-460	TEFC	20	3	2.50	4.33	4	14.16	0.79	34	1/2"-13	17.5	6.64	10.04	7.09	7.87	3.55	337
		208/230-460	ODP	20	3	2.50	4.33	4	14.16	0.79	32.22	1/2"-13	17.5	6.64	9.49	7.09	7.87	3.55	298
		575	TEFC	20	3	2.50	4.33	4	14.16	0.79	35.25	1/2"-13	17.5	6.64	10	7.09	7.87	3.55	397
IL 2.5-190/510-2	0.92	208/230-460	ODP	25	3	2.50	4.33	4	14.16	0.79	31.25	1/2"-13	17.5	6.64	10.46	7.09	7.87	3.55	329
		575	ODP	25	3	2.50	4.33	4	14.16	0.79	32.99	1/2"-13	17.5	6.64	10.462	7.09	7.87	3.55	351
		575	ODP	25	3	2.50	4.33	4	14.16	0.79	32.99	1/2"-13	17.5	6.64	10.46	7.09	7.87	3.55	370

Flange Dimensions

Dimensions - Inches		
ØB	ØC x 4	ØD
5.5	0.75 x 4	7.5