

# Submittal Data Sheet

In-line Centrifugal Pumps



## Wilo-IL 2.5-65 - 2.5-110 (2 Pole)



Project:	
Engineer:	
Contractor:	
Submitted By:	Date:
Approved By:	Date:

Tag #	Model #	Flow	Head	HP	Cycle	Phase	Voltage	RPM
					60Hz			3500

### Product Info

Brand	Wilo
Product Description	IL 2.5-65 - IL 2.5-110

### Construction Materials

Pump Volute	Cast Iron EN-GJL-250
Impeller	Bronze (cast iron optional)
Shaft	316L stainless steel
Mechanical Seal	Q1Q1X4GG (silicium carbide seal faces, HNBR elastomers)

### Motor Data

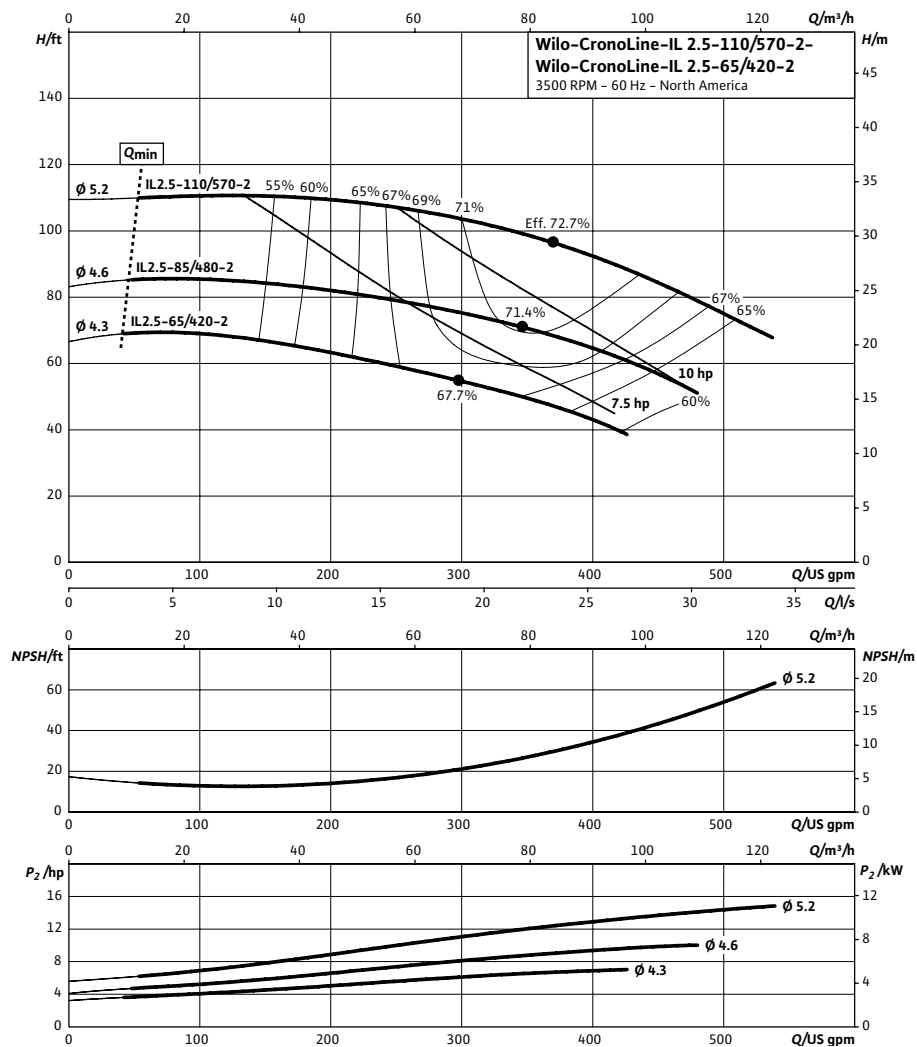
Power Supply	1~115/208-230 volt 3~208-230/460, 575 volt
Integrated full motor protection	integrated protection PTC/PTO on request (on-site trip unit required)
Protection Class	TEFC (ODP on request)
Insulation Class	F

### Hydraulic Data

Flange Connection	2 1/2" 125# ANSI compatible with 1/4" pressure gauge tappings
Max Operating Pressure	175 PSI (12 bar)
Min. Fluid Temp	-5°F (-20 °C)
Max Fluid Temp	285°F (140 °C)
Max. Ambient Temp	104°F (40 °C)

### Application

- Hot water heating systems
- Air conditioning systems
- Closed cooling circuits
- Industrial circulation systems
- Solar Systems
- Geothermal Systems



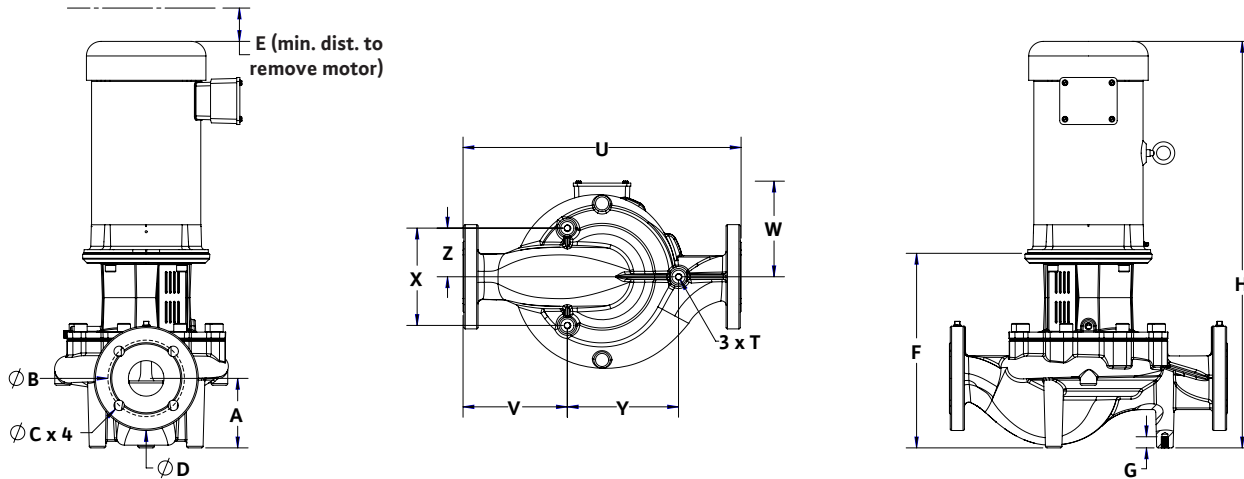
Approval Stamp

# Submittal Data Sheet

In-line Centrifugal Pumps



## Dimensions & Weights



## Dimensions and Weights

Model	PEI	Voltage	Motor	P2	Phase	Dimensions (in)													Weight
		[V]		[HP]	[~]	Dia	A	E	F	G	H	T	U	V	W	X	Y	Z	lbs
IL 2.5-65/420-2	0.98	208/230-460	TEFC	7.5	3	2.50	4.72	3.4	14.27	0.79	29.5	1/2"-13	15	5.64	5.97	5.51	6.3	2.76	210
		575	TEFC	7.5	3	2.50	4.72	3.37	14.27	0.79	30.21	1/2"-13	15	5.64	5.97	5.51	6.3	2.76	215
IL 2.5-85/480-2	0.98	208/230-460	TEFC	10	3	2.50	4.72	3.34	14.27	0.79	29.62	1/2"-13	15	5.64	7.96	5.51	6.3	2.76	239
		208/230-460	ODP	10	3	2.50	4.72	3.37	14.27	0.79	28.02	1/2"-13	15	5.64	7.87	5.51	6.3	2.76	235
		575	TEFC	10	3	2.50	4.72	3.34	14.27	0.79	29.62	1/2"-13	15	5.64	8.05	5.51	6.3	2.76	232
IL 2.5-110/570-2	0.98	575	ODP	10	3	2.50	4.72	3.38	14.27	0.79	27.93	1/2"-13	15	5.64	7.97	5.51	6.3	2.76	240
		208/230-460	TEFC	15	3	2.50	4.72	3.37	14.27	0.79	32.24	1/2"-13	15	5.64	8.05	5.51	6.3	2.76	284
		208/230-460	ODP	15	3	2.50	4.72	3.37	14.27	0.79	29.64	1/2"-13	15	5.64	7.91	5.51	6.3	2.76	245
		575	TEFC	15	3	2.50	4.72	3.37	14.27	0.79	32.24	1/2"-13	15	5.64	8.05	5.51	6.3	2.76	283
		575	ODP	15	3	2.50	4.72	3.38	14.27	0.79	28.72	1/2"-13	15	5.64	7.97	5.51	6.3	2.76	256

## Flange Dimensions

Dimensions - Inches		
ØB	ØC x 4	ØD
5.5	0.75 x 4	7.5