

# Submittal Data Sheet

In-line Centrifugal Pumps



## Wilo-IL 2-340 - 2-440 (2 Pole)



Project:							
Engineer:							
Contractor:							
Submitted By:					Date:		
Approved By:					Date:		

Tag #	Model #	Flow	Head	HP	Cycle	Phase	Voltage	RPM
					60Hz			3500

### Product Info

Brand	Wilo
Product Description	IL 2-340 - IL 2-440

### Construction Materials

Pump Volute	Cast Iron EN-GJL-250
Impeller	Bronze (cast iron optional)
Shaft	316L stainless steel
Mechanical Seal	Q1Q1X4GG (silicium carbide seal faces, HNBR elastomers)

### Motor Data

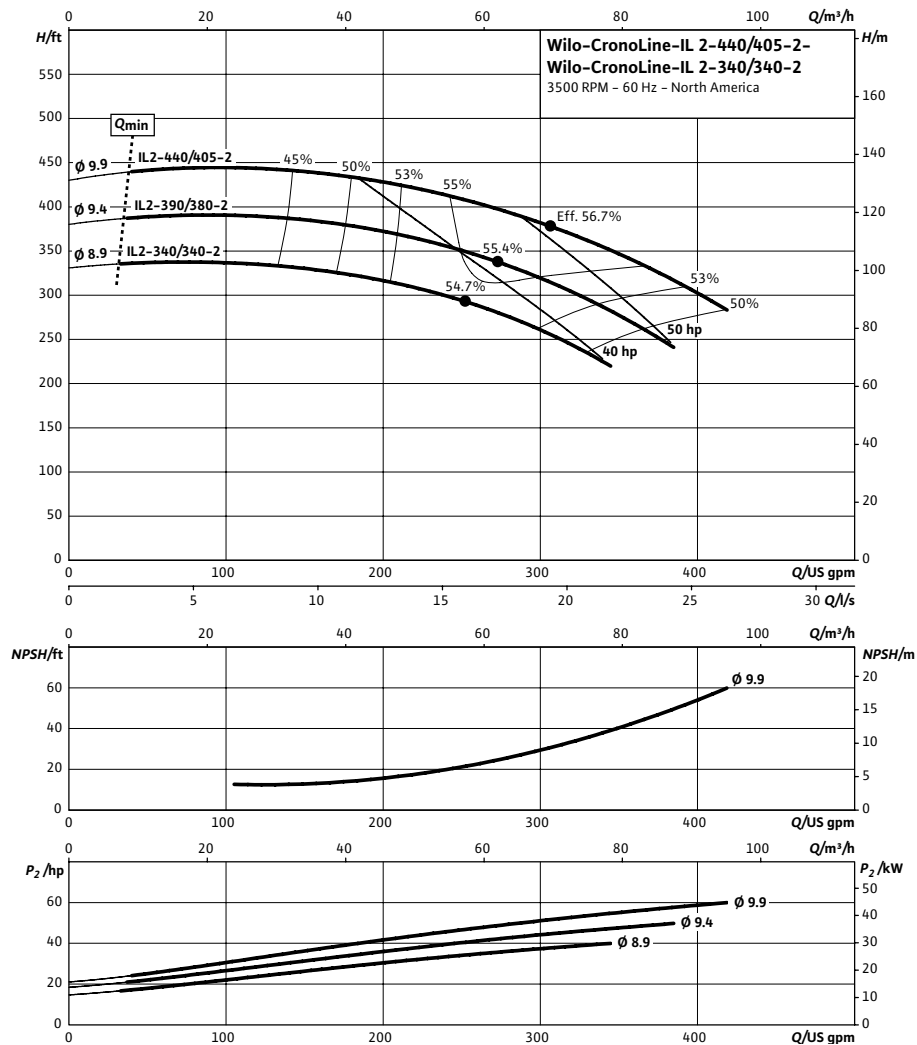
Power Supply	1~115/208-230 volt 3~208-230/460, 575 volt
Integrated full motor protection	integrated protection PTC/PTO on request (on-site trip unit required)
Protection Class	TEFC (ODP on request)
Insulation Class	F

### Hydraulic Data

Flange Connection	2" 125# ANSI compatible with 1/4" pressure gauge tappings
Max Operating Pressure	175 PSI (12 bar)
Min. Fluid Temp	-5°F (-20 °C)
Max Fluid Temp	285°F (140 °C)
Max. Ambient Temp	104°F (40 °C)

### Application

- Hot water heating systems
- Air conditioning systems
- Closed cooling circuits
- Industrial circulation systems
- Solar Systems
- Geothermal Systems



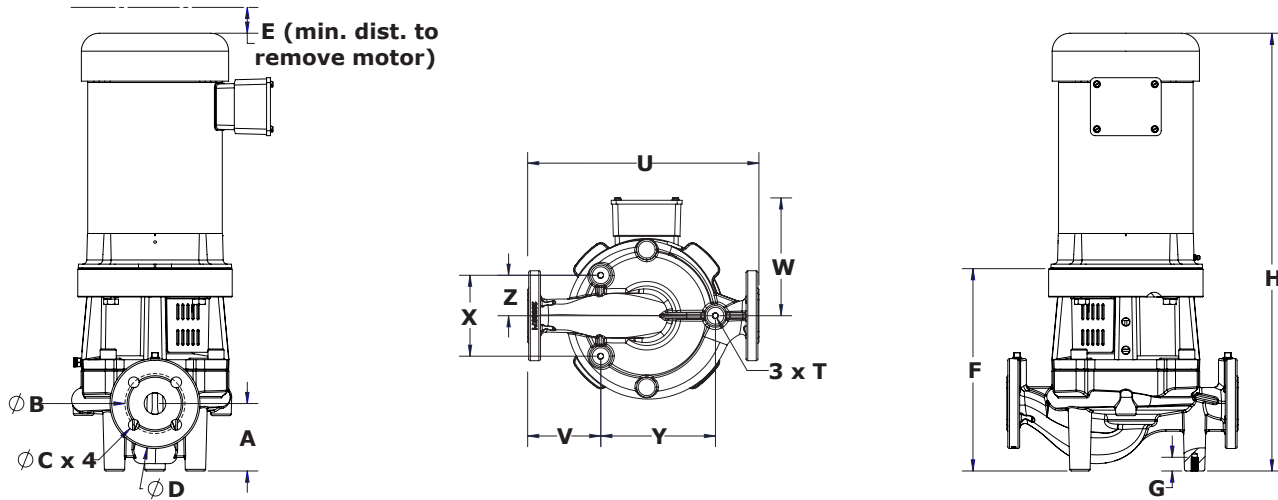
Approval Stamp

# Submittal Data Sheet

In-line Centrifugal Pumps



## Dimensions & Weights



## Dimensions and Weights

Model	PEI	Voltag	Motor	P2	Phase	Dia	Dimensions (in)											Weight	
		[V]		[HP]	[~]		A	E	F	G	H	T	U	V	W	X	Y	Z	lbs
IL 2-340/340-2	0.99	208/230-460	TEFC	40	3	2	4.75	3.8	14.5	0.79	39.6	1/2"-13	19	7.28	13.7	7	8	3.5	617
		575	TEFC	40	3	2	4.75	3.75	14.51	0.79	40.42	1/2"-13	19	7.28	12.58	7	8	3.5	712
IL 2-390/380-2	0.99	208/230-460	TEFC	50	3	2	4.75	3.8	14.5	0.79	39.6	1/2"-13	19	7.28	14.6	7	8	3.5	617
		208/230-460	ODP	50	3	2	4.75	3.75	14.51	0.79	35.47	1/2"-13	19	7.28	11.5	7	8	3.5	639
		575	TEFC	50	3	2	4.75	3.75	14.51	0.79	40.42	1/2"-13	19	7.28	12.58	7	8	3.5	738
IL 2-440/405-2	0.99	208/230-460	TEFC	60	3	2	4.75	3.8	14.5	0.79	42.4	1/2"-13	19	7.28	18.1	7	8	3.5	977
		208/230-460	ODP	60	3	2	4.75	3.75	14.51	0.79	43.16	1/2"-13	19	7.28	16.02	7	8	3.5	1024
		575	TEFC	60	3	2	4.75	3.75	14.51	0.79	36.62	1/2"-13	19	7.28	13.39	7	8	3.5	634
		575	ODP	60	3	2	4.75	3.75	14.51	0.79	36.62	1/2"-13	19	7.28	13.39	7	8	3.5	647

## Flange Dimensions

Dimensions - Inches

$\phi B$	$\phi C \times 4$	$\phi D$
4.75	0.75 x 4	6.5