

# Submittal Data Sheet

In-line Centrifugal Pumps

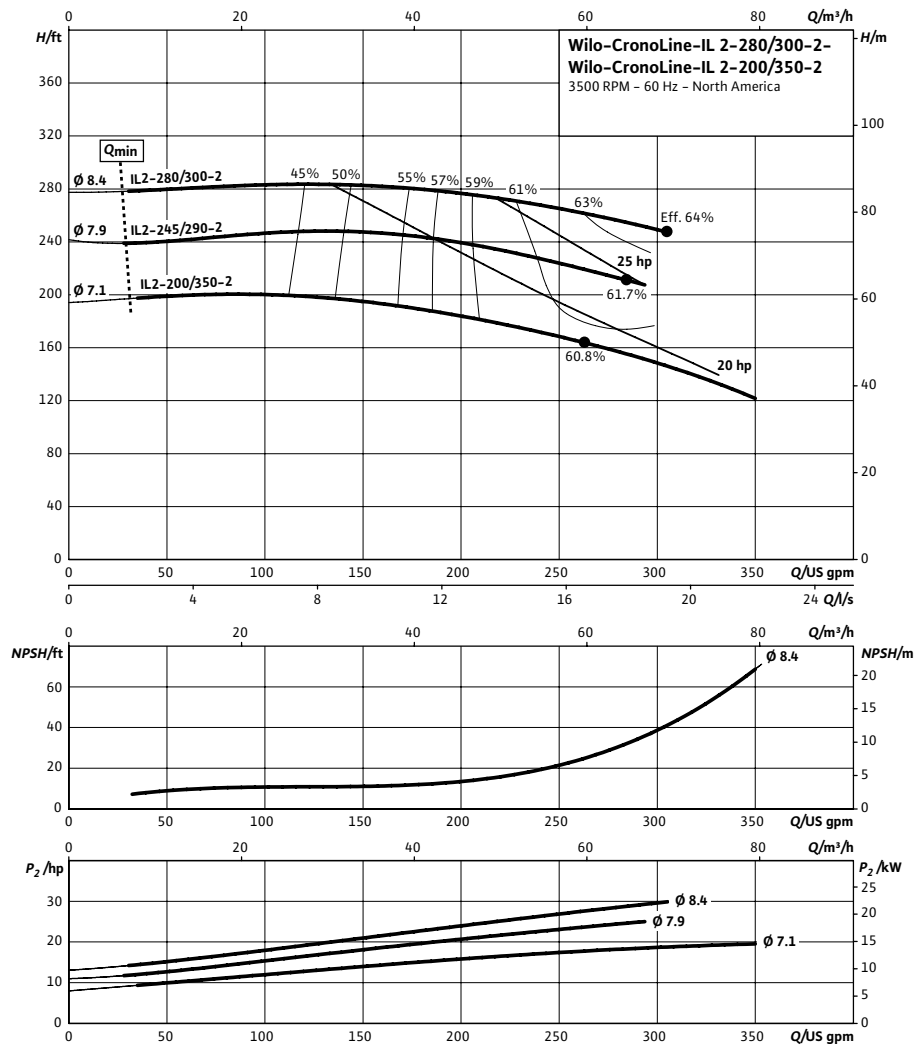


## Wilo-IL 2-200 - 2-280 (2 Pole)



Project:	
Engineer:	
Contractor:	
Submitted By:	Date:
Approved By:	Date:

Tag #	Model #	Flow	Head	HP	Cycle	Phase	Voltage	RPM
					60Hz			3500



### Product Info

Brand	Wilo
Product Description	IL 2-200 - IL 2-280

### Construction Materials

Pump Volute	Cast Iron EN-GJL-250
Impeller	Bronze (cast iron optional)
Shaft	316L stainless steel
Mechanical Seal	Q1Q1X4GG (silicium carbide seal faces, HNBR elastomers)

### Motor Data

Power Supply	1~115/208-230 volt 3~208-230/460, 575 volt
Integrated full motor protection	integrated protection PTC/PTO on request (on-site trip unit required)
Protection Class	TEFC (ODP on request)
Insulation Class	F

### Hydraulic Data

Flange Connection	2" 125# ANSI compatible with ¼" pressure gauge tappings
Max Operating Pressure	175 PSI (12 bar)
Min. Fluid Temp	-5°F (-20 °C)
Max Fluid Temp	285°F (140 °C)
Max. Ambient Temp	104°F (40 °C)

### Application

- Hot water heating systems
- Air conditioning systems
- Closed cooling circuits
- Industrial circulation systems
- Solar Systems
- Geothermal Systems

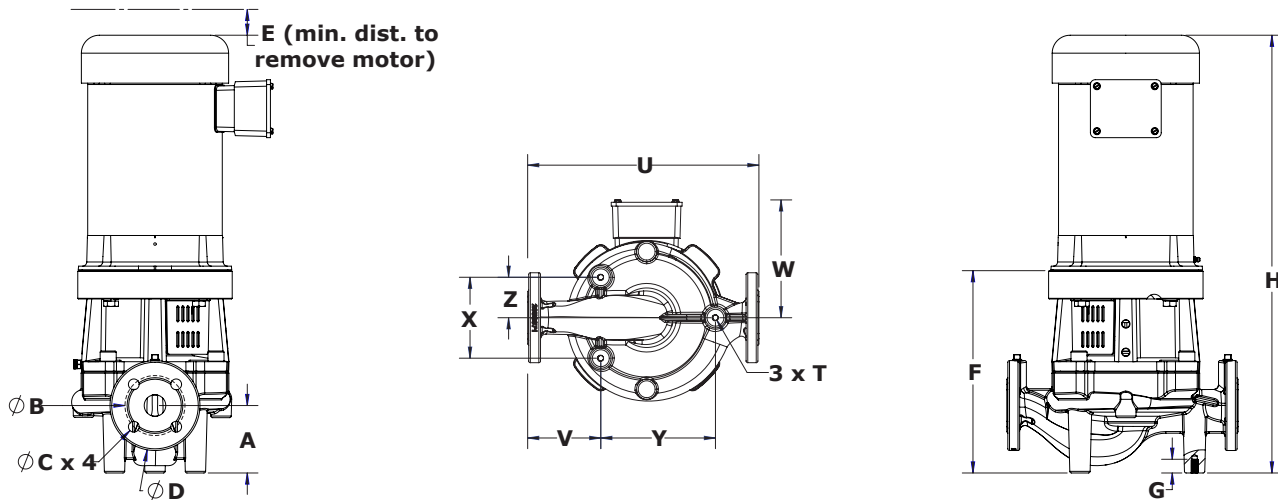
Approval Stamp

# Submittal Data Sheet

In-line Centrifugal Pumps



## Dimensions & Weights



## Dimensions and Weights

Model	PEI	Voltage		P2	Phase	Dia	Dimensions (in)												Weight lbs
		[V]	Motor				[HP]	[~]	A	E	F	G	H	T	U	V	W	X	
IL 2-200/350-2	0.99	208/230-460	TEFC	20	3	2	4.72	4.0	13.9	0.79	33.8	3/8"-16	17.5	6.79	10.0	6.3	7.95	3.2	335
		208/230-460	ODP	20	3	2	4.72	4	13.94	0.79	32	3/8"-16	17.5	6.79	9.49	6.3	7.95	3.15	296
	575	TEFC	20	3	2	4.72	4	13.94	0.79	35.03	3/8"-16	17.5	6.79	10	6.3	7.95	3.15	395	
	575	ODP	20	3	2	4.72	4	13.94	0.79	31.03	3/8"-16	17.5	6.79	10.462	6.3	7.95	3.15	327	
IL 2-245/290-2	0.99	208/230-460	TEFC	25	3	2	4.72	3.3	13.2	0.79	32.4	3/8"-16	17.5	6.79	11.5	6.3	7.95	3.2	437
		208/230-460	ODP	25	3	2	4.72	3.25	13.19	0.79	36.54	3/8"-16	17.5	6.79	11.08	6.3	7.95	3.15	501
	575	TEFC	25	3	2	4.72	4	13.94	0.79	32.78	3/8"-16	17.5	6.79	10.462	6.3	7.95	3.15	350	
	575	ODP	25	3	2	4.72	4	13.94	0.79	32.78	3/8"-16	17.5	6.79	10.46	6.3	7.95	3.15	369	
IL 2-280/300-2	0.99	208/230-460	TEFC	30	3	2	4.72	3.3	13.2	0.79	32.4	3/8"-16	17.5	6.79	11.5	6.3	7.95	3.2	507
		208/230-460	ODP	30	3	2	4.72	3.25	13.19	0.79	34.86	3/8"-16	17.5	6.79	12.21	6.3	7.95	3.15	439
	575	TEFC	30	3	2	4.72	3.25	13.19	0.79	36.54	3/8"-16	17.5	6.79	11.08	6.3	7.95	3.15	520	
	575	ODP	30	3	2	4.72	3.25	13.19	0.79	31.77	3/8"-16	17.5	6.79	11.93	6.3	7.95	3.15	422	

## Flange Dimensions

Dimensions - Inches		
ØB	ØC x 4	ØD
4.75	0.75 x 4	6.5