

Submittal Data Sheet

In-line Centrifugal Pumps



Wilo-IL 2-130/320-2 (2 Pole)



Project:	
Engineer:	
Contractor:	
Submitted By:	Date:
Approved By:	Date:

Tag #	Model #	Flow	Head	HP	Cycle	Phase	Voltage	RPM
	IL 2-130/320-2				60Hz			3500

Product Info

Brand	Wilo
Product Description	IL 2-130/320-2

Construction Materials

Pump Volute	Cast Iron EN-GJL-250
Impeller	Bronze (cast iron optional)
Shaft	316L stainless steel
Mechanical Seal	Q1Q1X4GG (silicium carbide seal faces, HNBR elastomers)

Motor Data

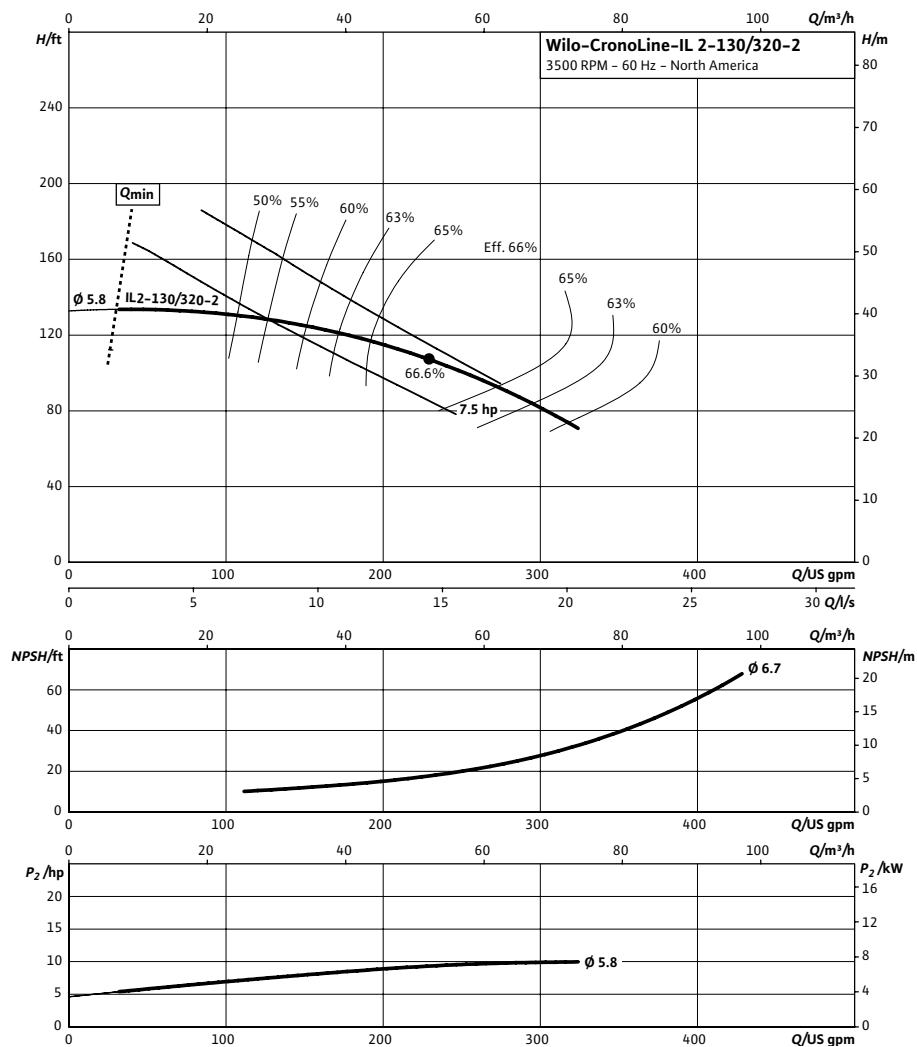
Power Supply	1~115/208-230 volt 3~208-230/460, 575 volt
Integrated full motor protection	integrated protection PTC/PTO on request (on-site trip unit required)
Protection Class	TEFC (ODP on request)
Insulation Class	F

Hydraulic Data

Flange Connection	2" 125# ANSI compatible with 1/4" pressure gauge tapings
Max Operating Pressure	175 PSI (12 bar)
Min. Fluid Temp	-5°F (-20 °C)
Max Fluid Temp	285°F (140 °C)
Max. Ambient Temp	104°F (40 °C)

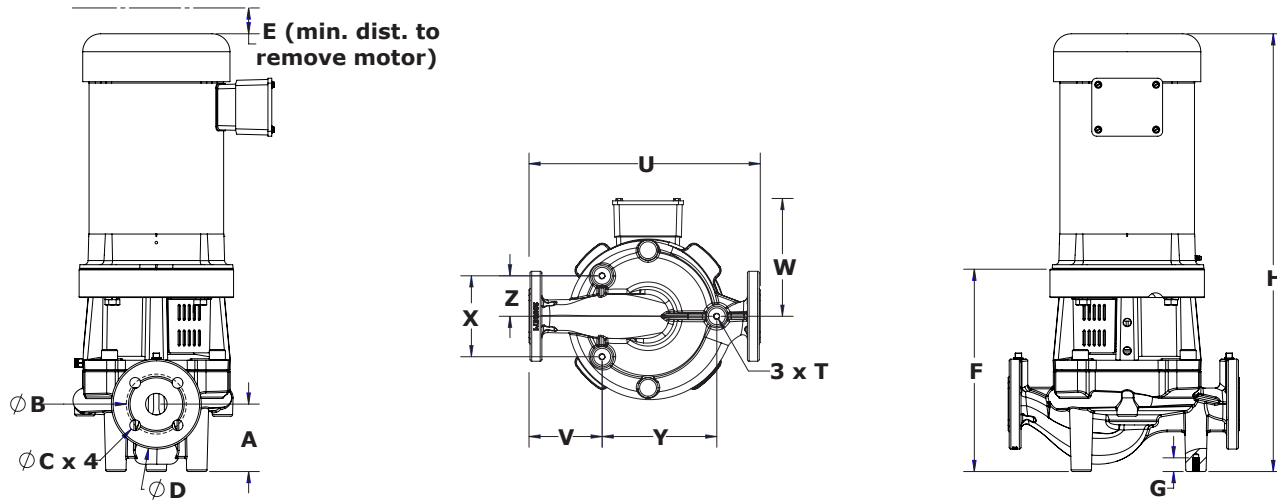
Application

- Hot water heating systems
- Air conditioning systems
- Closed cooling circuits
- Industrial circulation systems
- Solar Systems
- Geothermal Systems



Approval Stamp

Dimensions & Weights



Dimensions and Weights

Model	PEI	Voltage		P2	Phase	Dia	Dimensions (in)											Weight lbs	
		[V]	Motor				[HP]	[~]	A	E	F	G	H	T	U	V	W		X
IL 2-130/320-2	1.00	208/230-460	TEFC	10	3	2	3.55	3.3	12.6	0.79	28.0	3/8"-16	15	5.8	8.0	6.46	6.5	3.2	230
		208/230-460	ODP	10	3	2	3.55	3.37	12.61	0.79	26.35	3/8"-16	15	5.8	7.87	6.46	6.5	3.23	226
	575	TEFC	10	3	2	3.55	3.34	12.61	0.79	27.95	3/8"-16	15	5.8	8.05	6.46	6.5	3.23	223	
	575	ODP	10	3	2	3.55	3.38	12.61	0.79	26.27	3/8"-16	15	5.8	7.97	6.46	6.5	3.23	231	

Flange Dimensions

Dimensions - Inches		
ϕB	$\phi C \times 4$	ϕD
4.75	0.75 x 4	6.5