

Submittal Data Sheet

In-line Centrifugal Pumps



Wilo-IL 2-55 - 2-135 (2 Pole)



Project:	
Engineer:	
Contractor:	
Submitted By:	Date:
Approved By:	Date:

Tag #	Model #	Flow	Head	HP	Cycle	Phase	Voltage	RPM
					60Hz			3500

Product Info

Brand	Wilo
Product Description	IL 2-55 - IL 2-135

Construction Materials

Pump Volute	Cast Iron EN-GJL-250
Impeller	Bronze (cast iron optional)
Shaft	316L stainless steel
Mechanical Seal	Q1Q1X4GG (silicium carbide seal faces, HNBR elastomers)

Motor Data

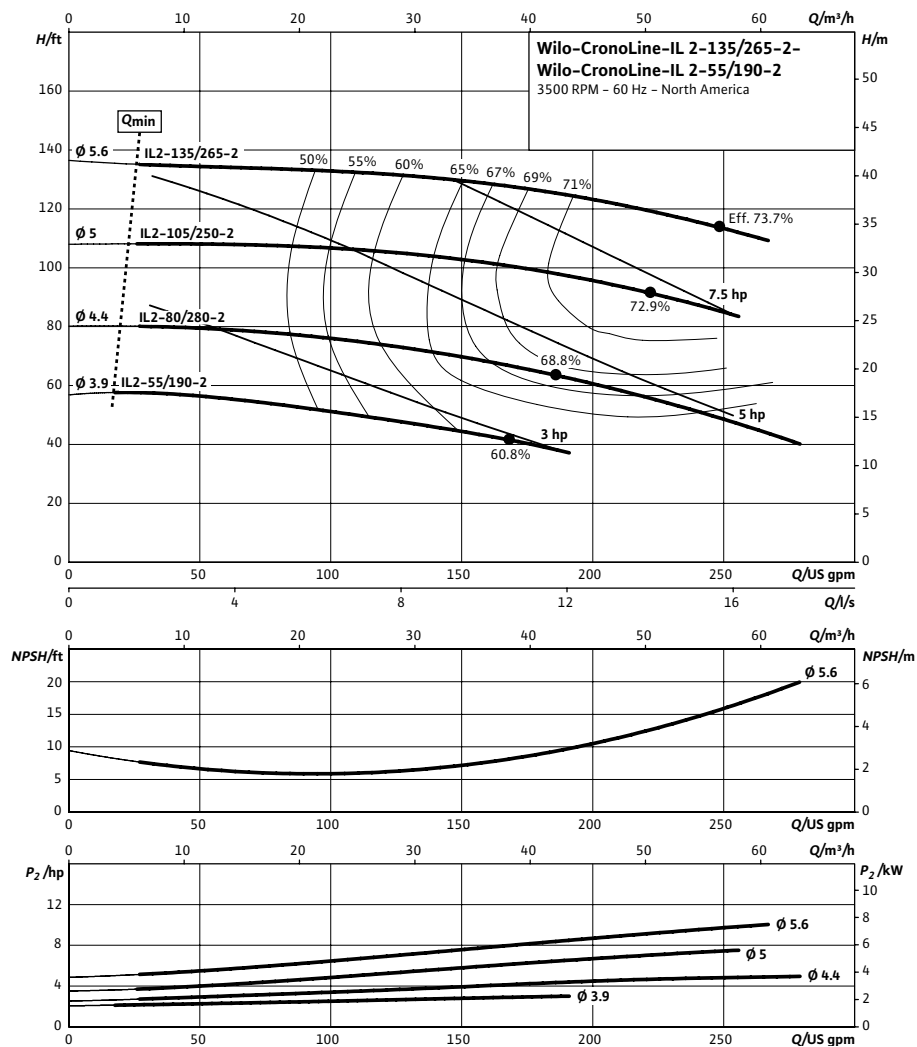
Power Supply	1~115/208-230 volt 3~208-230/460, 575 volt
Integrated full motor protection	integrated protection PTC/PTO on request (on-site trip unit required)
Protection Class	TEFC (ODP on request)
Insulation Class	F

Hydraulic Data

Flange Connection	2" 125# ANSI compatible with 1/4" pressure gauge tapings
Max Operating Pressure	175 PSI (12 bar)
Min. Fluid Temp	-5°F (-20 °C)
Max Fluid Temp	285°F (140 °C)
Max. Ambient Temp	104°F (40 °C)

Application

- Hot water heating systems
- Air conditioning systems
- Closed cooling circuits
- Industrial circulation systems
- Solar Systems
- Geothermal Systems



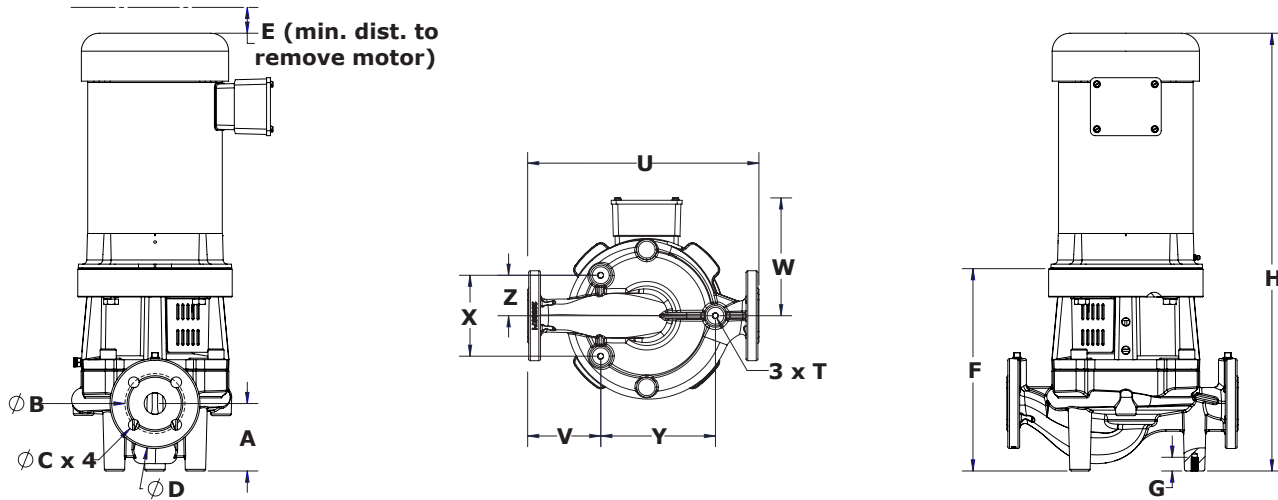
Approval Stamp

Submittal Data Sheet

In-line Centrifugal Pumps



Dimensions & Weights



Dimensions and Weights

Model	PEI	Voltage		P2	Phase	Dia	Dimensions (in)											Weight lbs	
		[V]	Motor				[HP]	[-]	A	E	F	G	H	T	U	V	W		X
IL 2-55/190-2		115	TEFC	3	1	2	4.13	2.9	12.1	0.79	24.5	3/8"-16	14.5	5.74	5.6	5.51	6.02	2.8	149
		115	ODP	3	1	2	4.13	2.9	12.1	0.79	25.9	3/8"-16	14.5	5.74	6.9	5.51	6.02	2.8	161
	0.93	208/230-460	TEFC	3	3	2	4.13	2.9	12.1	0.79	24.5	3/8"-16	14.5	5.74	5.7	5.51	6.02	2.8	138
		575	TEFC	3	3	2	4.13	2.9	12.13	0.79	24.46	3/8"-16	14.5	5.74	5.66	5.51	6.02	2.76	141
IL 2-80/280-2		208/230-460	TEFC	5	3	2	4.13	2.9	12.1	0.79	25.9	3/8"-16	14.5	5.74	6.9	5.51	6.02	2.8	163
	0.93	208/230-460	ODP	5	3	2	4.13	2.87	12.13	0.79	25.84	3/8"-16	14.5	5.74	5.54	5.51	6.02	2.76	152
		575	TEFC	5	3	2	4.13	2.87	12.13	0.79	25.87	3/8"-16	14.5	5.74	6.88	5.51	6.02	2.76	162
		575	ODP	5	3	2	4.13	2.87	12.13	0.79	24.05	3/8"-16	14.5	5.74	6.7	5.51	6.02	2.76	153
IL 2-105/250-2		208/230-460	TEFC	7.5	3	2	4.13	3.4	12.1	0.79	27.4	3/8"-16	14.5	5.74	6.0	5.51	6.02	2.8	185
	0.93	208/230-460	ODP	7.5	3	2	4.13	2.9	12.13	0.79	24.3	3/8"-16	14.5	5.74	6.79	5.51	6.02	2.76	165
		575	TEFC	7.5	3	2	4.13	3.4	12.13	0.79	28.07	3/8"-16	14.5	5.74	5.97	5.51	6.02	2.76	190
		575	ODP	7.5	3	2	4.13	2.9	12.13	0.79	24.45	3/8"-16	14.5	5.74	6.7	5.51	6.02	2.76	167
IL 2-135/265-2		208/230-460	TEFC	10	3	2	4.13	3.3	12.1	0.79	27.5	3/8"-16	14.5	5.74	8.0	5.51	6.02	2.8	214
	0.93	208/230-460	ODP	10	3	2	4.13	3.4	12.13	0.79	25.87	3/8"-16	14.5	5.74	7.87	5.51	6.02	2.76	210
		575	TEFC	10	3	2	4.13	3.3	12.13	0.79	27.47	3/8"-16	14.5	5.74	8.05	5.51	6.02	2.76	207
		575	ODP	10	3	2	4.13	3.4	12.13	0.79	25.79	3/8"-16	14.5	5.74	7.97	5.51	6.02	2.76	215

Flange Dimensions

Dimensions - Inches		
ØB	ØC x 4	ØD
4.75	0.75 x 4	6.5