

# Submittal Data Sheet

In-line Centrifugal Pumps



## Wilo-IL 1.5-90 - 1.5-200 (2 Pole)



Project:								
Engineer:								
Contractor:								
Submitted By:						Date:		
Approved By:						Date:		

Tag #	Model #	Flow	Head	HP	Cycle	Phase	Voltage	RPM
					60Hz			3500

### Product Info

Brand	Wilo
Product Description	IL 1.5-90 - IL 1.5-200

### Construction Materials

Pump Volute	Cast Iron EN-GJL-250
Impeller	Bronze (cast iron optional)
Shaft	316L stainless steel
Mechanical Seal	Q1Q1X4GG (silicium carbide seal faces, HNBR elastomers)

### Motor Data

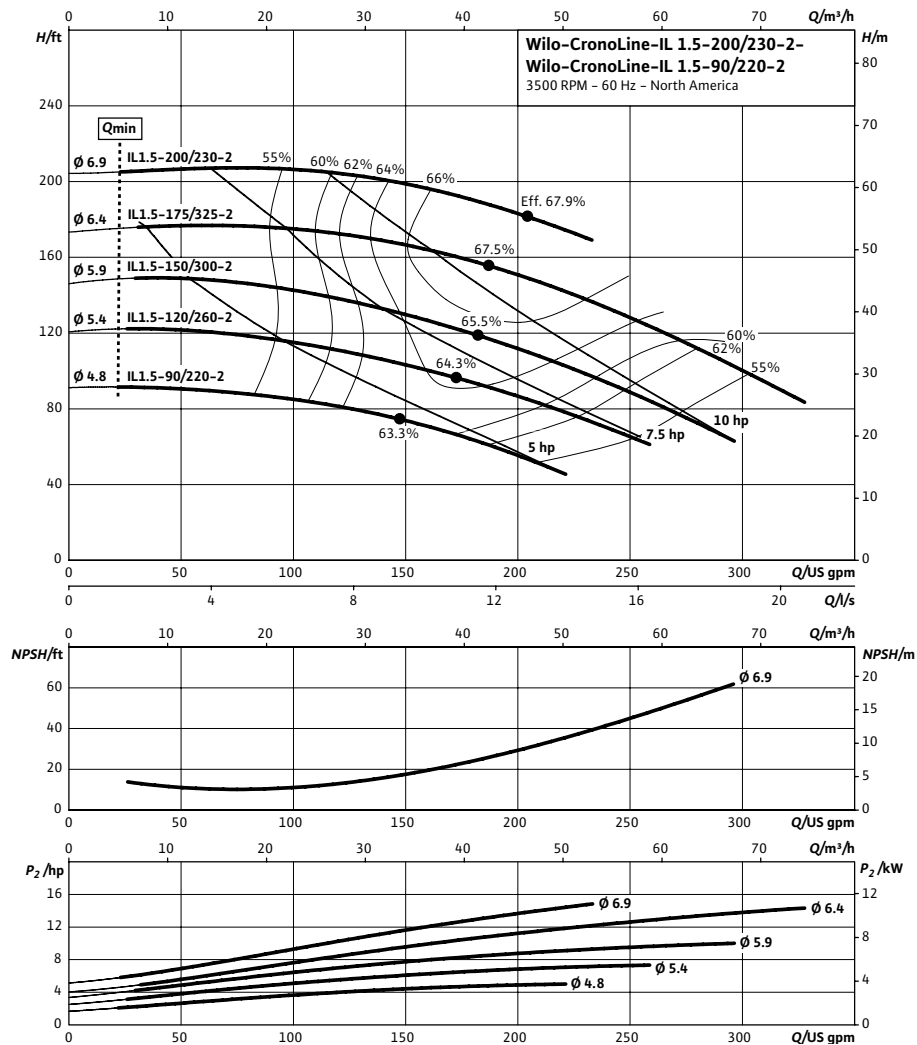
Power Supply	1~115/208-230 volt 3~208-230/460, 575 volt
Integrated full motor protection	integrated protection PTC/PTO on request (on-site trip unit required)
Protection Class	TEFC (ODP on request)
Insulation Class	F

### Hydraulic Data

Flange Connection	1 1/2" 125# ANSI compatible with 1/4" pressure gauge tappings
Max Operating Pressure	175 PSI (12 bar)
Min. Fluid Temp	-5°F (-20 °C)
Max Fluid Temp	285°F (140 °C)
Max. Ambient Temp	104°F (40 °C)

### Application

- Hot water heating systems
- Air conditioning systems
- Closed cooling circuits
- Industrial circulation systems
- Solar Systems
- Geothermal Systems



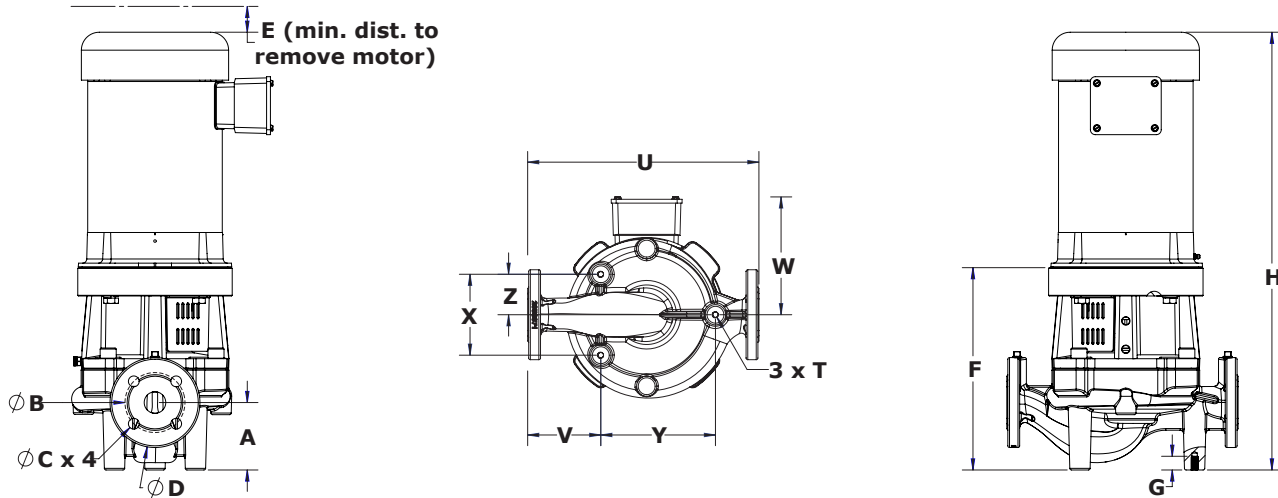
Approval Stamp

# Submittal Data Sheet

In-line Centrifugal Pumps



## Dimensions & Weights



## Dimensions and Weights

Model	PEI	Voltage		P2	Phase	Dia	Dimensions (in)											Weight lbs	
		[V]	Motor [HP]				A	E	F	G	H	T	U	V	W	X	Y		Z
IL 1.5-90/220-2	0.90	208/230-460	TEFC	5	3	1.50	3.23	2.9	11.65	0.79	25.4	3/8"-16	14.5	5.22	6.88	5.12	8.15	2.56	167
		208/230-460	ODP	5	3	1.50	3.23	2.9	11.65	0.79	25.37	3/8"-16	14.5	5.22	5.54	5.12	8.15	2.56	156
	575	TEFC	5	3	1.50	3.23	2.9	11.65	0.79	25.4	3/8"-16	14.5	5.22	6.88	5.12	8.15	2.56	166	
		ODP	5	3	1.50	3.23	2.87	11.65	0.79	23.58	3/8"-16	14.5	5.22	6.7	5.12	8.15	2.56	157	
IL 1.5-120/260-2	0.90	208/230-460	TEFC	7.5	3	1.50	3.23	3.38	11.65	0.79	26.88	3/8"-16	14.5	5.22	5.97	5.12	8.15	2.56	189
		208/230-460	ODP	7.5	3	1.50	3.23	2.87	11.65	0.79	23.83	3/8"-16	14.5	5.22	6.79	5.12	8.15	2.56	169
	575	TEFC	7.5	3	1.50	3.23	3.37	11.65	0.79	27.6	3/8"-16	14.5	5.22	5.97	5.12	8.15	2.56	194	
		ODP	7.5	3	1.50	3.23	2.87	11.65	0.79	23.98	3/8"-16	14.5	5.22	6.7	5.12	8.15	2.56	171	
IL 1.5-150/300-2	0.90	208/230-460	TEFC	10	3	1.50	3.23	3.34	11.65	0.79	27	3/8"-16	14.5	5.22	7.96	5.12	8.15	2.56	218
		208/230-460	ODP	10	3	1.50	3.23	3.37	11.65	0.79	25.4	3/8"-16	14.5	5.22	7.87	5.12	8.15	2.56	214
	575	TEFC	10	3	1.50	3.23	3.34	11.65	0.79	27	3/8"-16	14.5	5.22	8.05	5.12	8.15	2.56	211	
		ODP	10	3	1.50	3.23	3.38	11.65	0.79	25.31	3/8"-16	14.5	5.22	7.97	5.12	8.15	2.56	219	
IL 1.5-175/325-2	0.90	208/230-460	TEFC	15	3	1.50	3.23	3.37	11.65	0.79	29.62	3/8"-16	14.5	5.22	8.05	5.12	8.15	2.56	263
		208/230-460	ODP	15	3	1.50	3.23	3.4	11.65	0.79	27.02	3/8"-16	14.5	5.22	7.91	5.12	8.15	2.56	224
	575	TEFC	15	3	1.50	3.23	3.37	11.65	0.79	29.62	3/8"-16	14.5	5.22	8.05	5.12	8.15	2.56	262	
		ODP	15	3	1.50	3.23	3.4	11.65	0.79	26.1	3/8"-16	14.5	5.22	7.97	5.12	8.15	2.56	235	
IL 1.5-200/230-2	0.90	208/230-460	TEFC	15	3	1.50	3.23	3.4	11.65	0.79	29.62	3/8"-16	14.5	5.22	8.05	5.12	8.15	2.56	263
		208/230-460	ODP	15	3	1.50	3.23	3.37	11.65	0.79	27.02	3/8"-16	14.5	5.22	7.91	5.12	8.15	2.56	224
	575	TEFC	15	3	1.50	3.23	3.4	11.65	0.79	29.62	3/8"-16	14.5	5.22	8.05	5.12	8.15	2.56	262	
		ODP	15	3	1.50	3.23	3.38	11.65	0.79	26.1	3/8"-16	14.5	5.22	7.97	5.12	8.15	2.56	235	

## Flange Dimensions

Dimensions - Inches		
ØB	ØC x 4	ØD
3.88	0.63 x 4	6.12