

# Submittal Data Sheet

In-line Centrifugal Pumps

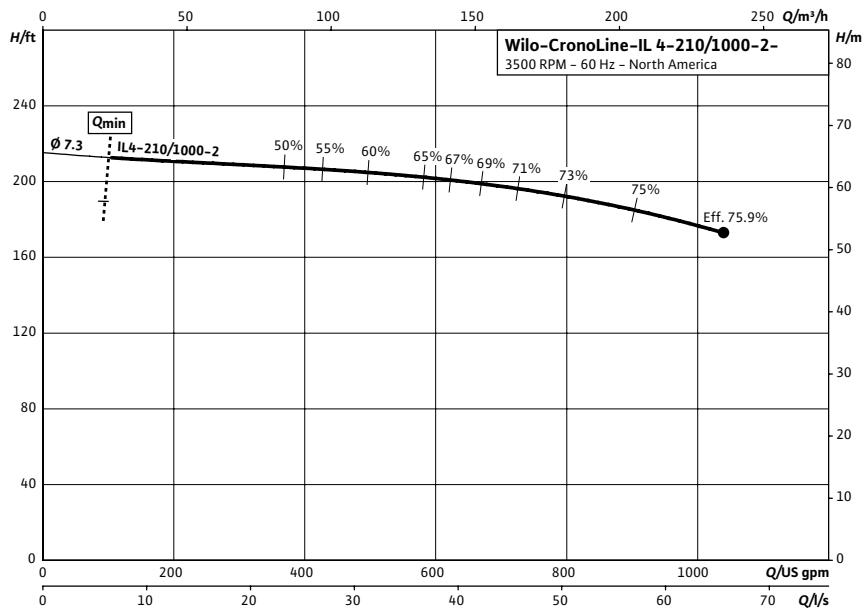


## Wilo-IL 4-210 (2 Pole)



Project:	
Engineer:	
Contractor:	
Submitted By:	Date:
Approved By:	Date:

Tag #	Model #	Flow	Head	HP	Cycle	Phase	Voltage	RPM
	IL 4 210/1000-2				60Hz			3500



### Product Info

Brand	Wilo
Product Description	IL 4-210

### Construction Materials

Pump Volute	Cast Iron EN-GJL-250
Impeller	Bronze (cast iron optional)
Shaft	316L stainless steel
Mechanical Seal	Q1Q1X4GG (silicium carbide seal faces, HNBR elastomers)

### Motor Data

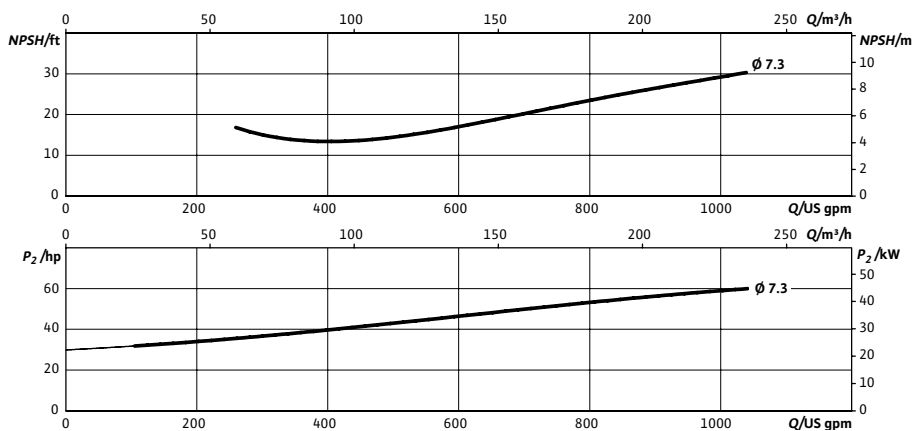
Power Supply	1~115/208-230 volt 3~208-230/460, 575 volt
Integrated full motor protection	integrated protection PTC/PTO on request (on-site trip unit required)
Protection Class	TEFC (ODP on request)
Insulation Class	F

### Hydraulic Data

Flange Connection	4" 125# ANSI compatible with 1/4" pressure gauge tapings
Max Operating Pressure	175 PSI (12 bar)
Min. Fluid Temp	-5°F (-20 °C)
Max Fluid Temp	285°F (140 °C)
Max. Ambient Temp	104°F (40 °C)

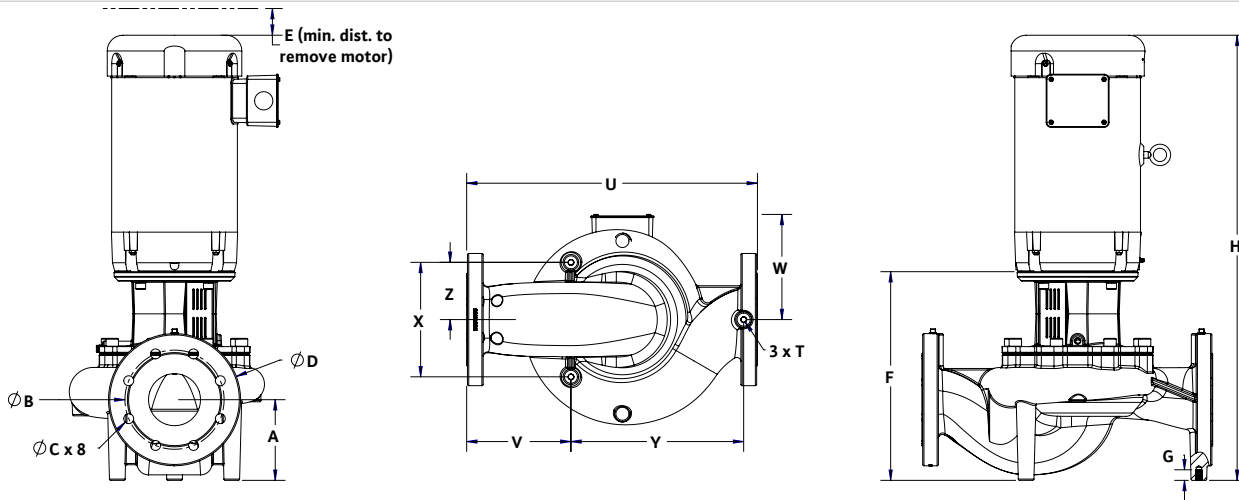
### Application

- Hot water heating systems
- Air conditioning systems
- Closed cooling circuits
- Industrial circulation systems
- Solar Systems
- Geothermal Systems



Approval Stamp

Dimensions & Weights



Dimensions and Weights

Model	PEI	Voltage		P2 Phase		Dimensions (in)											Weight		
		[V]	Motor	[HP]	[-]	Dia	A	E	F	G	H	T	U	V	W	X	Y	Z	lbs
IL 4-210/1000-2	1.00	208/230-460	TEFC	60	3	4.00	6.1	3.75	16.61	0.79	44.54	1/2"-13	22	7.89	18.1	8.66	13.07	4.33	1034
		208/230-460	ODP	60	3	4.00	6.1	3.75	16.61	0.79	38.72	1/2"-13	22	7.89	13.39	8.66	13.07	4.33	691
	1.00	575	TEFC	60	3	4.00	6.1	3.75	16.61	0.79	45.26	1/2"-13	22	7.89	16.02	8.66	13.07	4.33	1081
		575	ODP	60	3	4.00	6.1	3.75	16.61	0.79	38.72	1/2"-13	22	7.89	13.39	8.66	13.07	4.33	704

Flange Dimensions

Dimensions - Inches		
$\phi B$	$\phi C \times 4$	$\phi D$
7.5	0.75 x 4	10