

Submittal Data Sheet

In-line Centrifugal Pumps



Wilo-IL 4-115 - 4-175 (2 Pole)



Project:	
Engineer:	
Contractor:	
Submitted By:	Date:
Approved By:	Date:

Tag #	Model #	Flow	Head	HP	Cycle	Phase	Voltage	RPM
					60Hz			3500

Product Info

Brand	Wilo
Product Description	IL 4-115 - IL 4-175

Construction Materials

Pump Volute	Cast Iron EN-GJL-250
Impeller	Bronze (cast iron optional)
Shaft	316L stainless steel
Mechanical Seal	Q1Q1X4GG (silicium carbide seal faces, HNBR elastomers)

Motor Data

Power Supply	1-115/208-230 volt 3-208-230/460, 575 volt
Integrated full motor protection	integrated protection PTC/PTO on request (on-site trip unit required)
Protection Class	TEFC (ODP on request)
Insulation Class	F

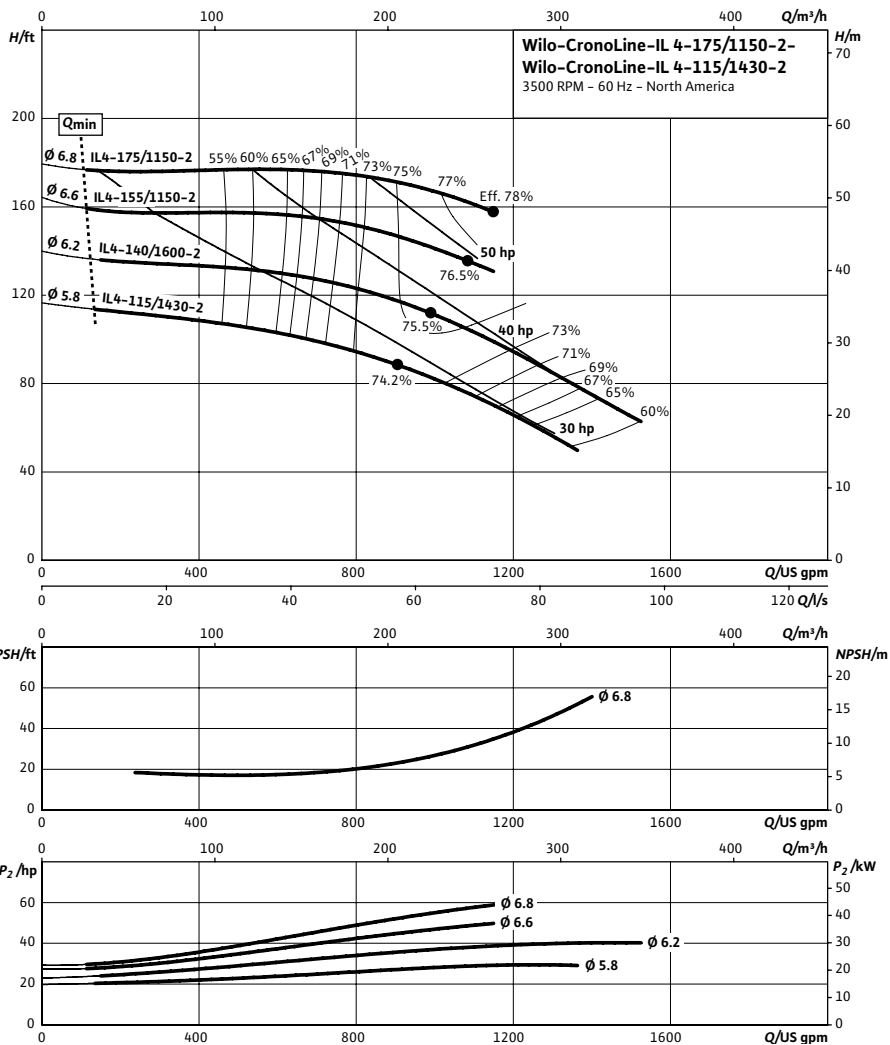
Hydraulic Data

Flange Connection	4" 125# ANSI compatible with 1/4" pressure gauge tapings
Max Operating Pressure	175 PSI (12 bar)
Min. Fluid Temp	-5°F (-20 °C)
Max Fluid Temp	285°F (140 °C)
Max. Ambient Temp	104°F (40 °C)

Application

- Hot water heating systems
- Air conditioning systems
- Closed cooling circuits
- Industrial circulation systems
- Solar Systems
- Geothermal Systems

Approval Stamp

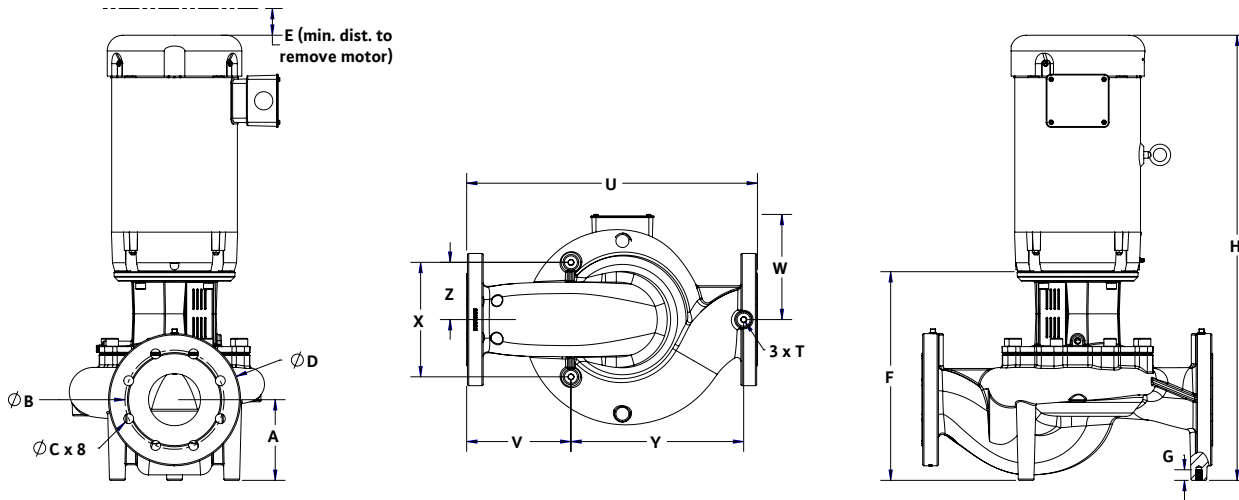


Submittal Data Sheet

In-line Centrifugal Pumps



Dimensions & Weights



Dimensions and Weights

Model	PEI	Voltage		P2	Phase	Dimensions (in)													Weight lbs
		[V]	Motor			[HP]	[-]	Dia	A	E	F	G	H	T	U	V	W	X	
IL 4-115/1430-2	0.99	208/230-460	TEFC	30	3	4.00	5.2	3.25	16.08	0.79	35.26	1/2"-13	20.5	7.83	11.52	7.87	11.57	3.94	588
		208/230-460	ODP	30	3	4.00	5.2	3.25	16.08	0.79	37.75	1/2"-13	20.5	7.83	12.21	7.87	11.57	3.94	520
	575	TEFC	30	3	4.00	5.2	3.25	16.08	0.79	39.43	1/2"-13	20.5	7.83	11.08	7.87	11.57	3.94	601	
		ODP	30	3	4.00	5.2	3.25	16.08	0.79	34.67	1/2"-13	20.5	7.83	11.93	7.87	11.57	3.94	503	
IL 4-140/1600-2	0.99	208/230-460	TEFC	40	3	4.00	5.2	3.75	16.57	0.79	41.66	1/2"-13	20.5	7.83	13.74	7.87	11.57	3.94	654
		208/230-460	ODP	40	3	4.00	5.2	3.25	16.08	0.79	36.17	1/2"-13	20.5	7.83	11.93	7.87	11.57	3.94	548
	575	TEFC	40	3	4.00	5.2	3.75	16.57	0.79	42.48	1/2"-13	20.5	7.83	12.58	7.87	11.57	3.94	749	
		ODP	40	3	4.00	5.2	3.25	16.08	0.79	36.17	1/2"-13	20.5	7.83	11.93	7.87	11.57	3.94	591	
IL 4-155/1150-2	0.99	208/230-460	TEFC	50	3	4.00	5.2	3.75	16.57	0.79	41.66	1/2"-13	20.5	7.83	14.63	7.87	11.57	3.94	654
		208/230-460	ODP	50	3	4.00	5.2	3.75	16.57	0.79	37.53	1/2"-13	20.5	7.83	11.5	7.87	11.57	3.94	676
	575	TEFC	50	3	4.00	5.2	3.75	16.57	0.79	42.48	1/2"-13	20.5	7.83	12.58	7.87	11.57	3.94	775	
		ODP	50	3	4.00	5.2	3.75	16.57	0.79	37.19	1/2"-13	20.5	7.83	13.39	7.87	11.57	3.94	623	
IL 4-175/1150-2	0.98	208/230-460	TEFC	60	3	4.00	5.2	3.75	16.57	0.79	44.5	1/2"-13	20.5	7.83	18.1	7.87	11.57	3.94	1014
		208/230-460	ODP	60	3	4.00	5.2	3.75	16.57	0.79	45.22	1/2"-13	20.5	7.83	16.02	7.87	11.57	3.94	1061
	575	TEFC	60	3	4.00	5.2	3.75	16.57	0.79	38.69	1/2"-13	20.5	7.83	13.39	7.87	11.57	3.94	671	
		ODP	60	3	4.00	5.2	3.75	16.57	0.79	38.69	1/2"-13	20.5	7.83	13.39	7.87	11.57	3.94	684	

Flange Dimensions

Dimensions - Inches		
ØB	ØC x 4	ØD
7.5	0.75 x 4	10