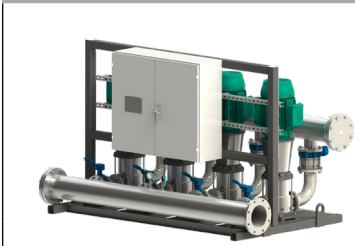


Submittal Data Sheet

Wilco-CO MVI - NSF 61/372 Pressure Boosting System

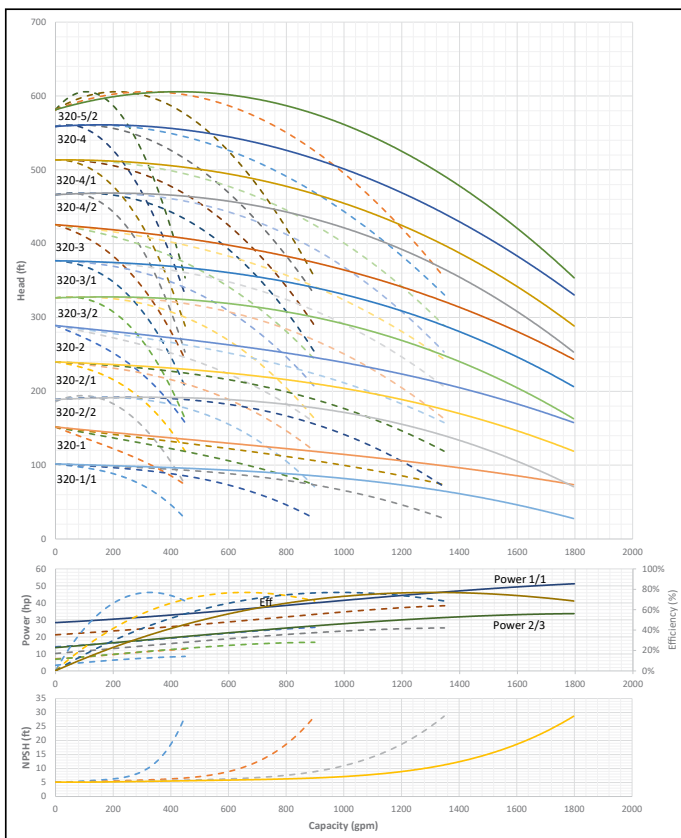


CO4 MVI-320



Project:	
Engineer:	
Contractor:	
Submitted By:	Date:
Approved By:	Date:

Tag #	Model #	Flow	BOOST PSI	Min. Inlet PSI	HP/Pump	Phase	Voltage	RPM
	CO4 MVI-320				1			3600



Applications

- Water Supply
- Pressure Boosting
- Agriculture
- Cooling Circuits
- Washing / Sprinkling Systems
- Condensate Return

Materials of Construction

Volute	AISI 304 Stainless Steel with Cast Iron ANSI flanges
Impeller	AISI 304 Stainless Steel
Shaft	ANSI 431 Stainless Steel
Elastomers	EPDM
Manifold	AISI 304 Stainless Steel
Suction Isolation Valves	150# Cast Iron Wafer Butterfly, All Stainless Steel Wetted Components
Discharge Isolation Valve	150# Cast Iron Wafer Butterfly, All Stainless Steel Wetted Components or 300# 304SS Ball Valve
Check Valve	Wafer Style, 316 Stainless Steel internals, non-slam, plunger type with EPDM seal/ cast iron body
Mechanical Seal	Frame and Springs 304SS
Pressure Transducers	¼" MNPT, 316 Stainless Steel
Pressure Gauges	¼" MNPT, 304 Stainless Steel Housing with 316 Stainless Steel wetted parts
System Base	Epoxy Coated A-500 Steel Tubing and A36 C-Channel/Plates

Technical Data - Operational Ranges

Liquid Temp Range	5°F to 248°F (Min. 32 °F for Domestic Water)
Ambient Temp Range	+32°F to +104 °F

Technical Data - Panel

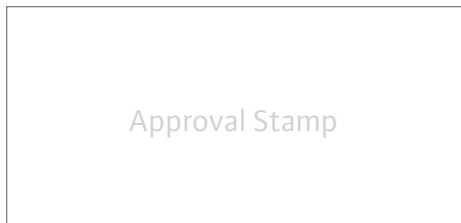
Liquid Temp Range	208-230/460-3 or 575-3
Enclosure	NEMA 3R up to 20 HP NEMA 12 for 25 HP and above (NEMA 4 and 4X available upon request)
Standard	Meets UL 508A
Variable Frequency Drives	Danfoss FC-101: • 1 HP to 3 HP 208-230V-1 IN / 208-230V-3 OUT • 1 HP to 60 HP 208-230V-3 • 1 HP to 100 HP 460V-3 • 1 HP to 100 HP 575V-3

Technical Data - PLC

User Interface	7" Diagonal Color LCD Touchscreen
Display Resolution	800 x 480 Pixels
Supply Voltage	24VDC
Max. Current Consumption	320mA@24V
Number of Analog Inputs	4
Number of Analog Outputs	4
Number of Digital Inputs	18
Number of Digital Outputs	17
Onboard Communications	Modbus Protocol (Optional Gateways for BACnet, LonWorks, and CANbus)
Ethernet Port	RJ45 port capable of transmitting data 10/100Mbps
Additional Ports	2.0 USB Port; Micro-SD Port

Motor Data

Power Supply	208-230, 460, 575-3
Motor Enclosure	Totally Enclosed Fan Cooled (TEFC)
Motor Efficiency	Nema Premium Efficiency - Meets NEMA 12-12 Rule
Enclosure Construction	Rolled Steel / Cast Iron
Motor Protection Index	IP54
Insulation Class	F



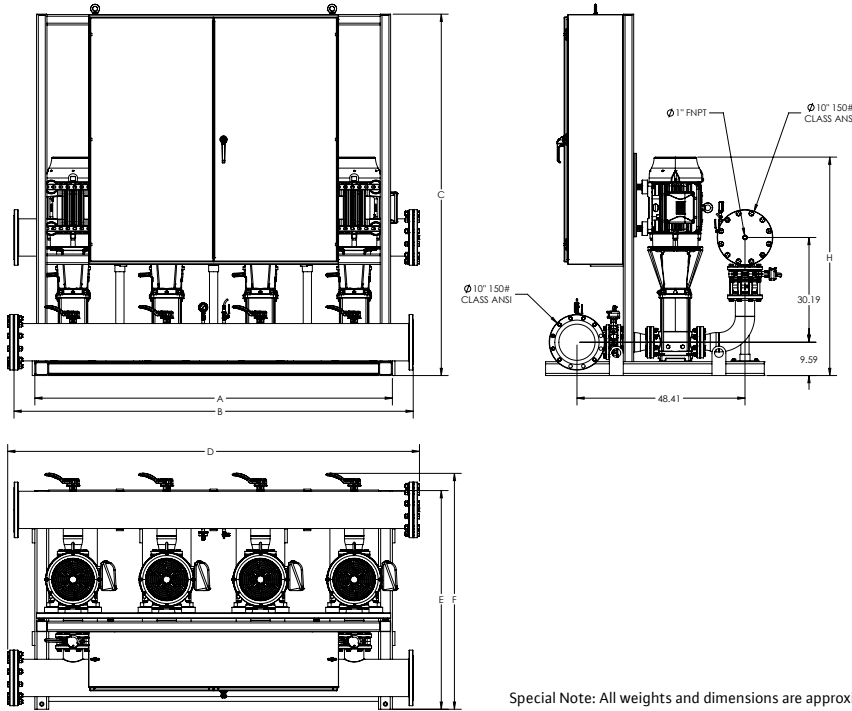
Submittal Data Sheet

Wilo-CO MVI - NSF 61/372 Pressure Boosting System



CO4 MVI-320

150# Discharge



Special Note: All weights and dimensions are approximate and should not be used as exact rough-in dimensions

CO4 MVI-320

TEFC Motor Data (Per Motor)

Model	Article	HP	Voltage	Phase	System Header Size (ANSI)	Pmax (PSI)	Dimensions - Inches (in)								System Weight (Lbs)	Motor FLA (per pump)	System FLA
							A (in)	B (in)	C (in)	D (in)	E (in)	F (in)	H (in)	(A)			
CO4 MVI-320-1/1	3354650	7.5	208V-230V	~3	10" 150#	232	69.25	77.25	62.1	80.81	63	68	43.16	3286.18	19.2-17.3	85-73	
CO4 MVI-320-1	3354651	15	208V-230V	~3	10" 150#	232	94	106	62.1	109.56	63	68	51.62	4220.7	38.5-34.8	165-153.8	
CO4 MVI-320-2/2	3354652	15	208V-230V	~3	10" 150#	232	94	106	62.1	109.56	63	68	54.86	4255.34	38.5-34.8	165-153.8	
CO4 MVI-320-2/1	3354653	20	208V-230V	~3	10" 150#	232	94	106	92.1	109.56	63	68	54.86	4111.93	50.2-45.4	211.8	
CO4 MVI-320-2	3354654	25	208V-230V	~3	10" 150#	232	94	106	92.1	109.56	63	68	57.12	4427.4	63.0-57.6	261	
CO4 MVI-320-3/2	3354655	30	208V-230V	~3	10" 150#	232	94	106	104.1	109.56	63	68	60.37	4545.38	76.7-68.4	305	
CO4 MVI-320-3/1	3354656	40	208V-230V	~3	10" 150#	232	103	115	104.1	118.56	63	68	62.92	5198.62	101-92.6	415.8	
CO4 MVI-320-3	3354657	40	208V-230V	~3	10" 150#	232	103	115	104.1	118.56	63	68	62.92	5198.62	101-92.6	415.8	
CO4 MVI-320-1/1	3354686	7.5	460V	~3	10" 150#	232	69.25	77.25	62.1	80.81	63	68	43.16	2986.37	8.67	45	
CO4 MVI-320-1	3354687	15	460V	~3	10" 150#	232	94	106	62.1	109.56	63	68	51.62	4220.7	17.4	74.6	
CO4 MVI-320-2/2	3354688	15	460V	~3	10" 150#	232	94	106	62.1	109.56	63	68	54.86	4255.34	17.4	74.6	
CO4 MVI-320-2/1	3354689	20	460V	~3	10" 150#	232	94	106	62.1	109.56	63	68	54.86	4287.34	22.7	99.8	
CO4 MVI-320-2	3354690	25	460V	~3	10" 150#	232	94	106	62.1	109.56	63	68	57.12	4600.02	28.8	118.2	
CO4 MVI-320-3/2	3354691	30	460V	~3	10" 150#	232	94	106	62.1	109.56	63	68	60.37	4679.34	34.2	139.4	
CO4 MVI-320-3/1	3354692	40	460V	~3	10" 150#	232	103	115	92.1	118.56	63	68	62.92	5156.78	46.3	197.8	
CO4 MVI-320-3	3354693	40	460V	~3	10" 150#	232	103	115	92.1	118.56	63	68	62.92	5156.78	46.3	197.8	
CO4 MVI-320-1/1	3354722	7.5	575V	~3	10" 150#	232	69.25	77.25	62.1	80.81	63	68	43.16	2997.62	6.94	34.2	
CO4 MVI-320-1	3354723	15	575V	~3	10" 150#	232	94	106	72.1	109.56	63	68	51.62	3780.22	13.8	63.8	
CO4 MVI-320-2/2	3354724	15	575V	~3	10" 150#	232	94	106	72.1	109.56	63	68	54.86	3814.86	13.8	63.8	
CO4 MVI-320-2/1	3354725	20	575V	~3	10" 150#	232	94	106	72.1	109.56	63	68	54.86	3846.86	18.2	86.6	
CO4 MVI-320-2	3354726	25	575V	~3	10" 150#	232	94	106	92.1	109.56	63	68	57.12	4396.61	23	103.8	
CO4 MVI-320-3/2	3354727	30	575V	~3	10" 150#	232	94	106	92.1	109.56	63	68	60.37	4507.93	27.4	127	
CO4 MVI-320-3/1	3354728	40	575V	~3	10" 150#	232	103	115	92.1	118.56	63	68	62.92	5172.78	37	172.6	
CO4 MVI-320-3	3354729	40	575V	~3	10" 150#	232	103	115	92.1	118.56	63	68	62.92	5172.78	37	172.6	
CO4 MVI-320-4/2	3354658	40	208V-230V	~3	10" 300#	435	103	115	104.1	119.24	64	73.8	66.17	5860.25	101-92.6	415.8	

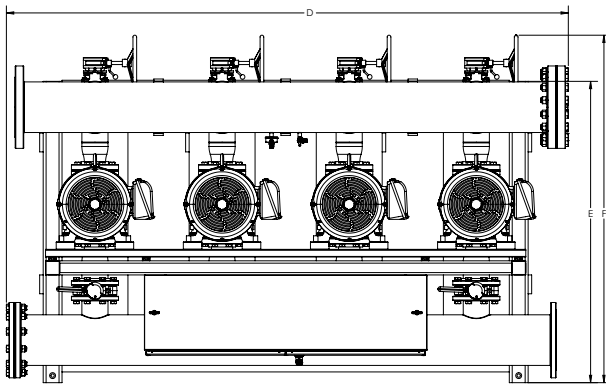
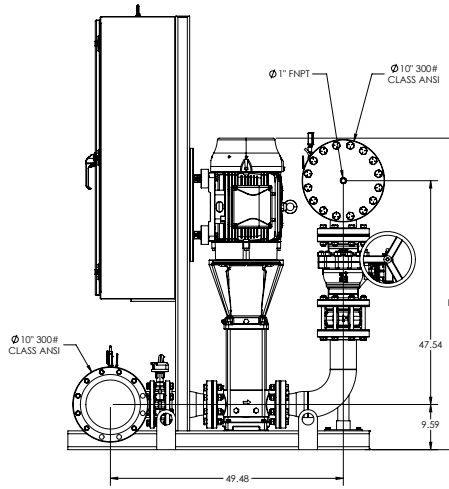
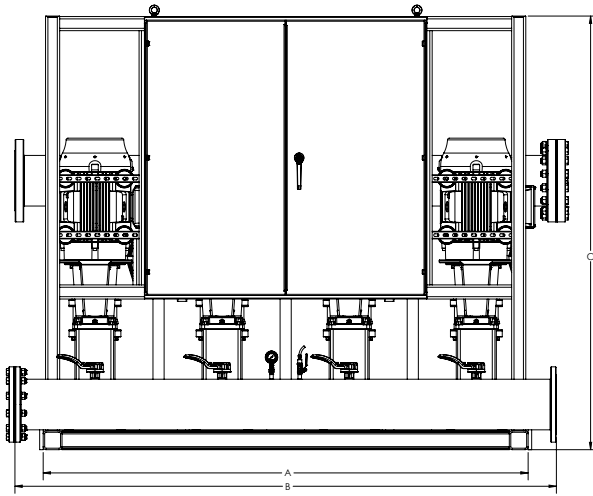
Submittal Data Sheet

Wilo-CO MVI - NSF 61/372 Pressure Boosting System



CO4 MVI-320

300# Discharge



Special Note: All weights and dimensions are approximate and should not be used as exact rough-in dimensions

CO4 MVI-320

Dimensions - Inches (in)														TEFC Motor Data (Per Motor)		
Model	Article	HP	Voltage	Phase	System Header Size (ANSI)	Pmax (PSI)	A (in)	B (in)	C (in)	D (in)	E (in)	F (in)	H (in)	System Weight (Lbs)	Motor FLA (per pump) (A)	System FLA
CO4 MVI-320-4/2	3354694	40	460V	~3	10" 300#	435	103	115	92.1	119.24	64	73.8	66.17	5815.93	46.3	197.8
CO4 MVI-320-4/1	3354695	50	460V	~3	10" 300#	435	103	115	92.1	119.24	64	73.8	66.17	6032.95	56.1	243.4
CO4 MVI-320-4	3354696	50	460V	~3	10" 300#	435	103	115	92.1	119.24	64	73.8	66.17	6027.37	56.1	243.4
CO4 MVI-320-5/2	3354697	60	460V	~3	10" 300#	435	121	135	92.1	139.24	64.6	73.8	72.15	7200.07	67	291
CO4 MVI-320-4/2	3354730	40	575V	~3	10" 300#	435	103	115	92.1	119.24	64	73.8	66.17	5831.93	37	172.6
CO4 MVI-320-4/1	3354731	50	575V	~3	10" 300#	435	103	115	104.1	119.24	64	73.8	66.17	5999.69	44.9	209
CO4 MVI-320-4	3354732	50	575V	~3	10" 300#	435	103	115	104.1	119.24	64	73.8	66.17	5999.69	44.9	209
CO4 MVI-320-5/2	3354733	60	575V	~3	10" 300#	435	121	135	104.1	139.24	64.6	73.8	72.15	7229.92	53.6	254.2