

Submittal Data Sheet

Wilco-CO MVI - NSF 61/372 Pressure Boosting System

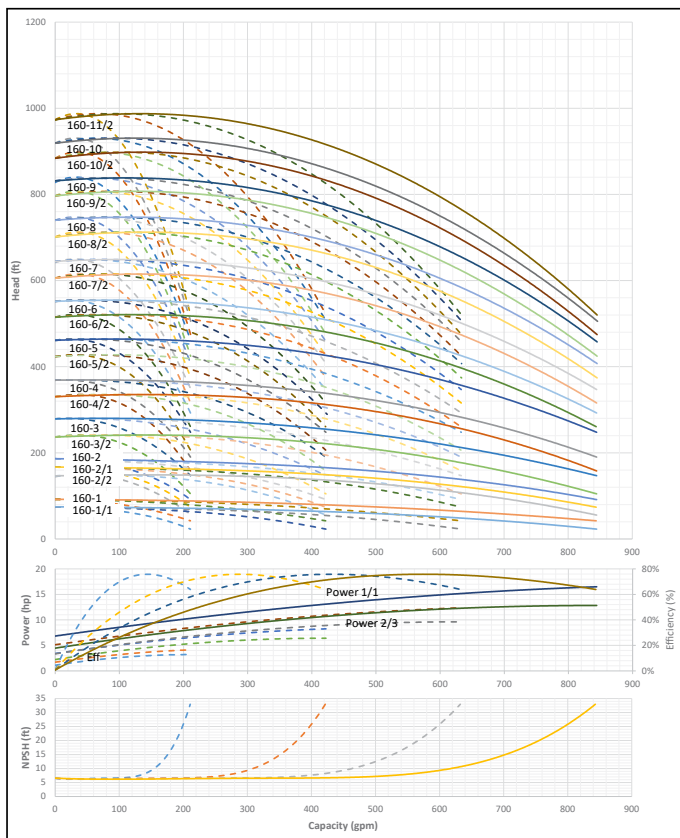


CO4 MVI-160



Project:	
Engineer:	
Contractor:	
Submitted By:	Date:
Approved By:	Date:

Tag #	Model #	Flow	BOOST PSI	Min. Inlet PSI	HP/Pump	Phase	Voltage	RPM
	CO4 MVI-160				1			3600



Applications	
• Water Supply	• Pressure Boosting
• Agriculture	• Cooling Circuits
• Washing / Sprinkling Systems	• Condensate Return

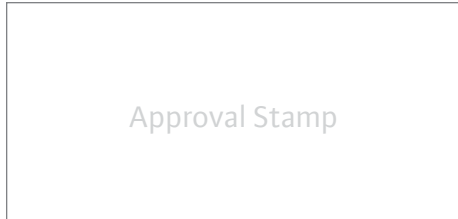
Materials of Construction	
Volute	AISI 304 Stainless Steel with Cast Iron ANSI flanges
Impeller	AISI 304 Stainless Steel
Shaft	ANSI 431 Stainless Steel
Elastomers	EPDM
Manifold	AISI 304 Stainless Steel
Suction Isolation Valves	150# Cast Iron Wafer Butterfly, All Stainless Steel Wetted Components
Discharge Isolation Valve	150# Cast Iron Wafer Butterfly, All Stainless Steel Wetted Components or 300# 304SS Ball Valve
Check Valve	Wafer Style, 316 Stainless Steel internals, non-slam, plunger type with EPDM seal/ cast iron body
Mechanical Seal	Frame and Springs 304SS
Pressure Transducers	¼" MNPT, 316 Stainless Steel
Pressure Gauges	¼" MNPT, 304 Stainless Steel Housing with 316 Stainless Steel wetted parts
System Base	Epoxy Coated A-500 Steel Tubing and A36 C-Channel/Plates

Technical Data - Operational Ranges	
Liquid Temp Range	5°F to 248°F (Min. 32 °F for Domestic Water)
Ambient Temp Range	+32°F to +104 °F

Technical Data - Panel	
Liquid Temp Range	208-230/460~3 or 575~3
Enclosure	NEMA 3R up to 20 HP NEMA 12 for 25 HP and above (NEMA 4 and 4X available upon request)
Standard	Meets UL 508A
Variable Frequency Drives	Danfoss FC-101: • 1 HP to 3 HP 208-230V~1 IN / 208-230V~3 OUT • 1 HP to 60 HP 208-230V~3 • 1 HP to 100 HP 460V~3 • 1 HP to 100 HP 575V~3

Technical Data - PLC	
User Interface	7" Diagonal Color LCD Touchscreen
Display Resolution	800 x 480 Pixels
Supply Voltage	24VDC
Max. Current Consumption	320mA@24V
Number of Analog Inputs	4
Number of Analog Outputs	4
Number of Digital Inputs	18
Number of Digital Outputs	17
Onboard Communications	Modbus Protocol (Optional Gateways for BACnet, LonWorks, and CANbus)
Ethernet Port	RJ45 port capable of transmitting data 10/100Mbps
Additional Ports	2.0 USB Port; Micro-SD Port

Motor Data	
Power Supply	208-230, 460, 575~3
Motor Enclosure	Totally Enclosed Fan Cooled (TEFC)
Motor Efficiency	Nema Premium Efficiency - Meets NEMA 12-12 Rule
Enclosure Construction	Rolled Steel / Cast Iron
Motor Protection Index	IP54
Insulation Class	F



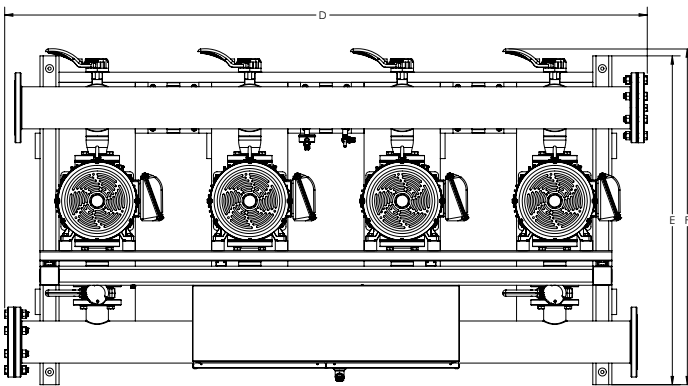
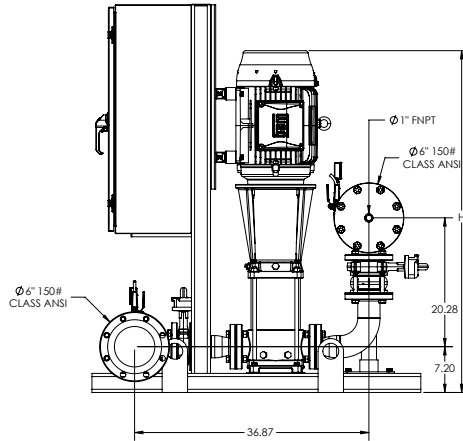
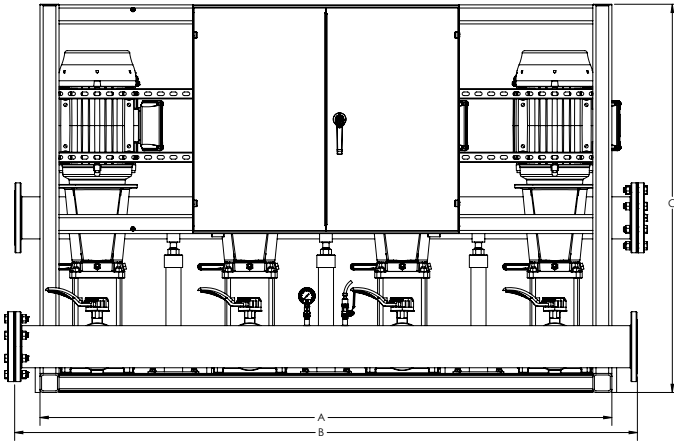
Submittal Data Sheet

Wilo-CO MVI - NSF 61/372 Pressure Boosting System



CO4 MVI-160

150# Discharge



Special Note: All weights and dimensions are approximate and should not be used as exact rough-in dimensions

CO4 MVI-160

TEFC Motor Data
(Per Motor)

Model	Article	HP	Voltage	Phase	System Header Size (ANSI)	Pmax (PSI)	Dimensions - Inches (in)							System Weight (Lbs)	Motor FLA (per pump)		System FLA
							A (in)	B (in)	C (in)	D (in)	E (in)	F (in)	H (in)		(A)		
CO4 MVI-160-1/1	3353158	3	208V-230V	~1 IN / ~3 OUT	6" 150#	232	65.25	73.25	61.1	76.38	48	48.77	36.56	1969.14	8.12-7.34	61.8	
CO4 MVI-160-1/1	3353575	3	208V-230V	~3	6" 150#	232	65.25	73.25	61.1	76.38	51.75	52.88	36.56	1922.47	8.12-7.34	39.4	
CO4 MVI-160-1	3353576	5	208V-230V	~3	6" 150#	232	65.25	73.25	61.1	76.38	51.75	52.88	38.14	1983.27	13.1-11.8	61.8	
CO4 MVI-160-2/2	3353577	7.5	208V-230V	~3	6" 150#	232	65.25	73.25	61.1	76.38	51.75	52.88	42.59	2514.88	19.2-17.3	85-73	
CO4 MVI-160-2/1	3353578	7.5	208V-230V	~3	6" 150#	232	65.25	73.25	61.1	76.38	51.75	52.88	42.59	2514.88	19.2-17.3	85-73	
CO4 MVI-160-2	3353579	7.5	208V-230V	~3	6" 150#	232	65.25	73.25	61.1	76.38	51.75	52.88	42.59	2514.88	19.2-17.3	85-73	
CO4 MVI-160-3/2	3353580	10	208V-230V	~3	6" 150#	232	65.25	73.25	61.1	76.38	51.75	52.88	46.89	2649.48	25.4-23	114.2-97	
CO4 MVI-160-3	3353581	15	208V-230V	~3	6" 150#	232	90	98	61.1	101.13	51.75	52.88	53.8	3467.74	38.5-34.8	165-153.8	
CO4 MVI-160-4/2	3353582	15	208V-230V	~3	6" 150#	232	90	98	61.1	101.13	51.75	52.88	56.55	3493.82	38.5-34.8	165-153.8	
CO4 MVI-160-4	3353583	15	208V-230V	~3	6" 150#	232	90	98	61.1	101.13	51.75	52.88	56.55	3494.18	38.5-34.8	165-153.8	
CO4 MVI-160-5/2	3353584	20	208V-230V	~3	6" 150#	232	90	98	87.1	101.13	51.75	56.26	59.31	3373.63	50.2-45.4	211.8	
CO4 MVI-160-5	3353585	20	208V-230V	~3	6" 150#	232	90	98	87.1	101.13	51.75	56.26	59.31	3374.51	50.2-45.4	211.8	
CO4 MVI-160-1/1	3354064	3	460V	~3	6" 150#	232	65.25	73.25	61.1	76.38	51.75	52.88	36.56	1922.47	3.67	20.2	
CO4 MVI-160-1	3354065	5	460V	~3	6" 150#	232	65.25	73.25	61.1	76.38	51.75	52.88	38.14	1983.27	5.9	33.8	
CO4 MVI-160-2/2	3354066	7.5	460V	~3	6" 150#	232	65.25	73.25	61.1	76.38	51.75	52.88	42.59	2215.07	8.67	45	
CO4 MVI-160-2/1	3354067	7.5	460V	~3	6" 150#	232	65.25	73.25	61.1	76.38	51.75	52.88	42.59	2215.07	8.67	45	
CO4 MVI-160-2	3354068	7.5	460V	~3	6" 150#	232	65.25	73.25	61.1	76.38	51.75	52.88	42.59	2215.07	8.67	45	

Submittal Data Sheet

Wilco-CO MVI - NSF 61/372 Pressure Boosting System



CO4 MVI-160 150# Discharge															TEFC Motor Data (Per Motor)	
															Motor FLA (per pump)	System FLA
															Dimensions - Inches (in)	
Model	Article	HP	Voltage	Phase	System Header Size (ANSI)	Pmax (PSI)	A (in)	B (in)	C (in)	D (in)	E (in)	F (in)	H (in)	System Weight (Lbs)	(A)	
CO4 MVI-160-3/2	3354069	10	460V	~3	6" 150#	232	65.25	73.25	61.1	76.38	51.75	52.88	46.89	2349.67	11.5	57
CO4 MVI-160-3	3354070	15	460V	~3	6" 150#	232	90	98	61.1	101.13	51.75	52.88	53.8	3467.74	17.4	74.6
CO4 MVI-160-4/2	3354071	15	460V	~3	6" 150#	232	90	98	61.1	101.13	51.75	52.88	56.55	3493.82	17.4	74.6
CO4 MVI-160-4	3354072	15	460V	~3	6" 150#	232	90	98	61.1	101.13	51.75	52.88	56.55	3494.18	17.4	74.6
CO4 MVI-160-5/2	3354073	20	460V	~3	6" 150#	232	90	98	61.1	101.13	51.75	52.88	59.31	3552.62	22.7	99.8
CO4 MVI-160-5	3354074	20	460V	~3	6" 150#	232	90	98	61.1	101.13	51.75	52.88	59.31	3553.5	22.7	99.8
CO4 MVI-160-1/1	3354553	3	575V	~3	6" 150#	232	65.25	73.25	61.1	76.38	51.75	52.88	36.56	1926.51	2.9	15
CO4 MVI-160-1	3354554	5	575V	~3	6" 150#	232	65.25	73.25	61.1	76.38	51.75	52.88	38.14	1986.91	4.72	32.4
CO4 MVI-160-2/2	3354555	7.5	575V	~3	6" 150#	232	65.25	73.25	61.1	76.38	51.75	52.88	42.59	2226.31	6.94	34.2
CO4 MVI-160-2/1	3354556	7.5	575V	~3	6" 150#	232	65.25	73.25	61.1	76.38	51.75	52.88	42.59	2226.31	6.94	34.2
CO4 MVI-160-2	3354557	7.5	575V	~3	6" 150#	232	65.25	73.25	61.1	76.38	51.75	52.88	42.59	2226.31	6.94	34.2
CO4 MVI-160-3/2	3354558	10	575V	~3	6" 150#	232	65.25	73.25	61.1	76.38	51.75	52.88	46.89	2368.91	9.2	46.6
CO4 MVI-160-3	3354559	15	575V	~3	6" 150#	232	90	98	69.1	101.13	51.75	52.88	53.8	3023.21	13.8	63.8
CO4 MVI-160-4/2	3354560	15	575V	~3	6" 150#	232	90	98	69.1	101.13	51.75	52.88	56.55	3049.29	13.8	63.8
CO4 MVI-160-4	3354561	15	575V	~3	6" 150#	232	90	98	69.1	101.13	51.75	52.88	56.55	3049.65	13.8	63.8
CO4 MVI-160-5/2	3354562	20	575V	~3	6" 150#	232	90	98	69.1	101.13	51.75	52.88	59.31	3108.09	18.2	86.6
CO4 MVI-160-5	3354563	20	575V	~3	6" 150#	232	90	98	69.1	101.13	51.75	52.88	59.31	3108.97	18.2	86.6

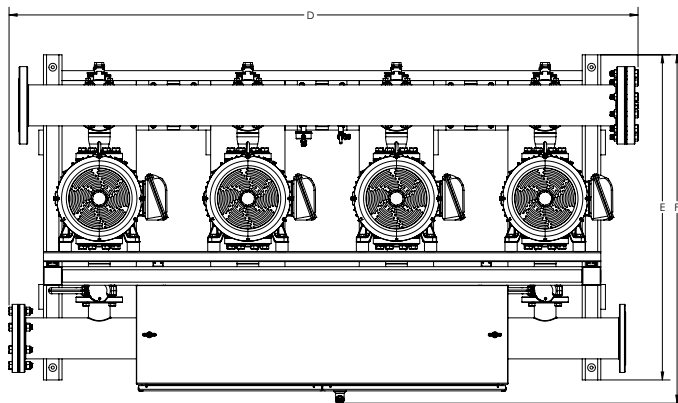
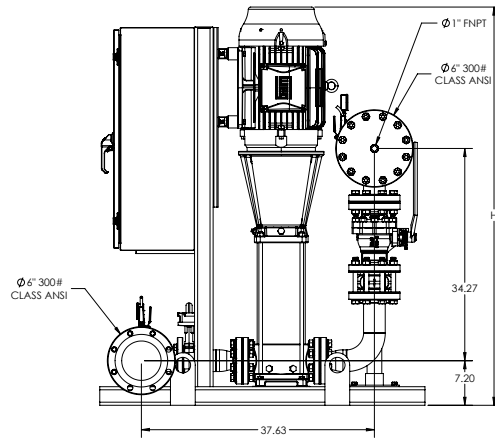
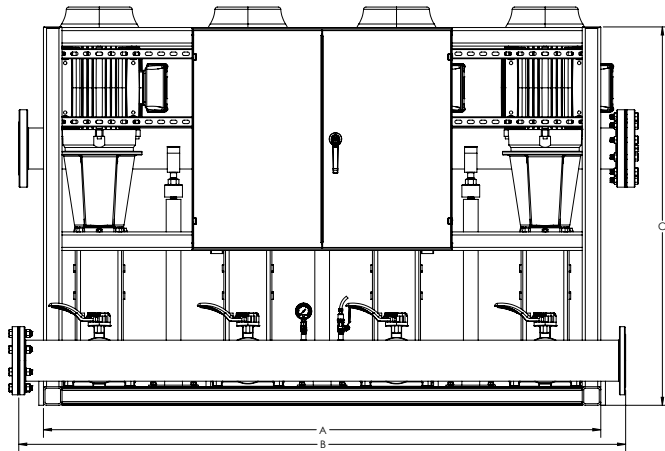
Submittal Data Sheet

Wilo-CO MVI - NSF 61/372 Pressure Boosting System



CO4 MVI-160

300# Discharge



Special Note: All weights and dimensions are approximate and should not be used as exact rough-in dimensions

CO4 MVI-160

TEFC Motor Data (Per Motor)

Model	Article	HP	Voltage	Phase	System Header Size (ANSI)	Pmax (PSI)	Dimensions - Inches (in)								System Weight (Lbs)	TEFC Motor Data (Per Motor)	
							A (in)	B (in)	C (in)	D (in)	E (in)	F (in)	H (in)	Motor FLA (per pump)		System FLA	
CO4 MVI-160-6/2	3353586	25	208V-230V	~3	6" 300#	435	90	98	87.1	101.57	52.51	56.25	64.32	4044.15	63.0-57.6	261	
CO4 MVI-160-6	3353587	25	208V-230V	~3	6" 300#	435	90	98	87.1	101.57	52.51	56.25	64.32	4045.03	63.0-57.6	261	
CO4 MVI-160-7/2	3353588	30	208V-230V	~3	6" 300#	435	90	98	103.1	101.57	52.51	56.25	67.08	4142.86	76.7-68.4	305	
CO4 MVI-160-7	3353589	30	208V-230V	~3	6" 300#	435	90	98	103.1	101.57	52.51	56.25	67.08	4143.74	76.7-68.4	305	
CO4 MVI-160-8/2	3353590	30	208V-230V	~3	6" 300#	435	90	98	103.1	101.57	52.51	56.25	69.83	4171.58	76.7-68.4	305	
CO4 MVI-160-8	3353591	40	208V-230V	~3	6" 300#	435	99	106.94	103.1	110.57	52.26	57.26	72.38	4835.12	101-92.6	415.8	
CO4 MVI-160-9/2	3353592	40	208V-230V	~3	6" 300#	435	99	106.94	103.1	110.57	52.26	57.26	75.14	4859.12	101-92.6	415.8	
CO4 MVI-160-9	3353593	40	208V-230V	~3	6" 300#	435	99	106.94	103.1	110.57	52.26	57.26	75.14	4859.12	101-92.6	415.8	
CO4 MVI-160-10/2	3353594	40	208V-230V	~3	6" 300#	435	99	106.94	103.1	110.57	52.26	57.26	77.9	4883.12	101-92.6	415.8	
CO4 MVI-160-10	3353595	40	208V-230V	~3	6" 300#	435	99	106.94	103.1	110.57	52.26	57.26	77.9	4883.12	101-92.6	415.8	
CO4 MVI-160-11/2	3353596	40	208V-230V	~3	6" 300#	435	99	106.94	103.1	110.57	52.26	57.26	80.65	4907.12	101-92.6	415.8	
CO4 MVI-160-6/2	3354075	25	460V	~3	6" 300#	435	90	98	61.1	101.57	52.51	52.51	64.32	4223.15	28.8	118.2	
CO4 MVI-160-6	3354076	25	460V	~3	6" 300#	435	90	98	61.1	101.57	52.51	52.51	64.32	4224.03	28.8	118.2	
CO4 MVI-160-7/2	3354077	30	460V	~3	6" 300#	435	90	98	63.1	101.57	52.51	52.51	67.08	4296.83	34.2	139.4	
CO4 MVI-160-7	3354078	30	460V	~3	6" 300#	435	90	98	63.1	101.57	52.51	52.51	67.08	4297.71	34.2	139.4	
CO4 MVI-160-8/2	3354079	30	460V	~3	6" 300#	435	90	98	66.1	101.57	52.51	52.51	69.83	4329.92	34.2	139.4	
CO4 MVI-160-8	3354080	40	460V	~3	6" 300#	435	99	106.94	87.1	110.57	52.26	57.26	72.38	4789.69	46.3	197.8	

Submittal Data Sheet

Wilo-CO MVI - NSF 61/372 Pressure Boosting System



CO4 MVI-160 300# Discharge															TEFC Motor Data (Per Motor)		
Model	Article	HP	Voltage	Phase	System Header Size (ANSI)	Pmax (PSI)	Dimensions - Inches (In)								System Weight (Lbs)	Motor FLA (per pump)	System FLA
							A (in)	B (in)	C (in)	D (in)	E (in)	F (in)	H (in)	(A)			
CO4 MVI-160-9/2	3354081	40	460V	~3	6" 300#	435	99	106.94	87.1	110.57	52.26	57.26	75.14	4813.69	46.3	197.8	
CO4 MVI-160-9	3354082	40	460V	~3	6" 300#	435	99	106.94	87.1	110.57	52.26	57.26	75.14	4813.69	46.3	197.8	
CO4 MVI-160-10/2	3354083	40	460V	~3	6" 300#	435	99	106.94	87.1	110.57	52.26	57.26	77.9	4837.69	46.3	197.8	
CO4 MVI-160-10	3354084	40	460V	~3	6" 300#	435	99	106.94	87.1	110.57	52.26	57.26	77.9	4837.69	46.3	197.8	
CO4 MVI-160-11/2	3354085	40	460V	~3	6" 300#	435	99	106.94	87.1	110.57	52.26	57.26	80.65	4861.69	46.3	197.8	
CO4 MVI-160-6/2	3354564	25	575V	~3	6" 300#	435	90	98	87.1	101.57	52.51	56.25	64.32	4016.15	23	103.8	
CO4 MVI-160-6	3354565	25	575V	~3	6" 300#	435	90	98	87.1	101.57	52.51	56.25	64.32	4017.03	23	103.8	
CO4 MVI-160-7/2	3354566	30	575V	~3	6" 300#	435	90	98	87.1	101.57	52.51	56.25	67.08	4118.91	27.4	127	
CO4 MVI-160-7	3354567	30	575V	~3	6" 300#	435	90	98	87.1	101.57	52.51	56.25	67.08	4119.79	27.4	127	
CO4 MVI-160-8/2	3354568	30	575V	~3	6" 300#	435	90	98	87.1	101.57	52.51	56.25	69.83	4147.63	27.4	127	
CO4 MVI-160-8	3354569	40	575V	~3	6" 300#	435	99	106.94	87.1	110.57	52.26	57.26	72.38	4805.69	37	172.6	
CO4 MVI-160-9/2	3354570	40	575V	~3	6" 300#	435	99	106.94	87.1	110.57	52.26	57.26	75.14	4829.69	37	172.6	
CO4 MVI-160-9	3354571	40	575V	~3	6" 300#	435	99	106.94	87.1	110.57	52.26	57.26	75.14	4829.69	37	172.6	
CO4 MVI-160-10/2	3354572	40	575V	~3	6" 300#	435	99	106.94	87.1	110.57	52.26	57.26	77.9	4853.69	37	172.6	
CO4 MVI-160-10	3354573	40	575V	~3	6" 300#	435	99	106.94	87.1	110.57	52.26	57.26	77.9	4853.69	37	172.6	
CO4 MVI-160-11/2	3354574	40	575V	~3	6" 300#	435	99	106.94	87.1	110.57	52.26	57.26	80.65	4877.69	37	172.6	
CO4 MVI-160-5	3354563	20	575V	~3	6" 150#	232	90	98	69.1	101.13	51.75	52.88	59.31	3108.97	18.2	86.6	