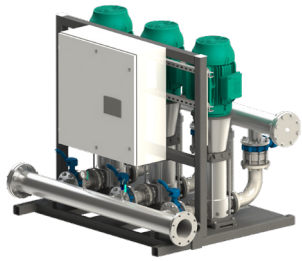


# Submittal Data Sheet

## Wilco-CO MVI - NSF 61/372 Pressure Boosting System

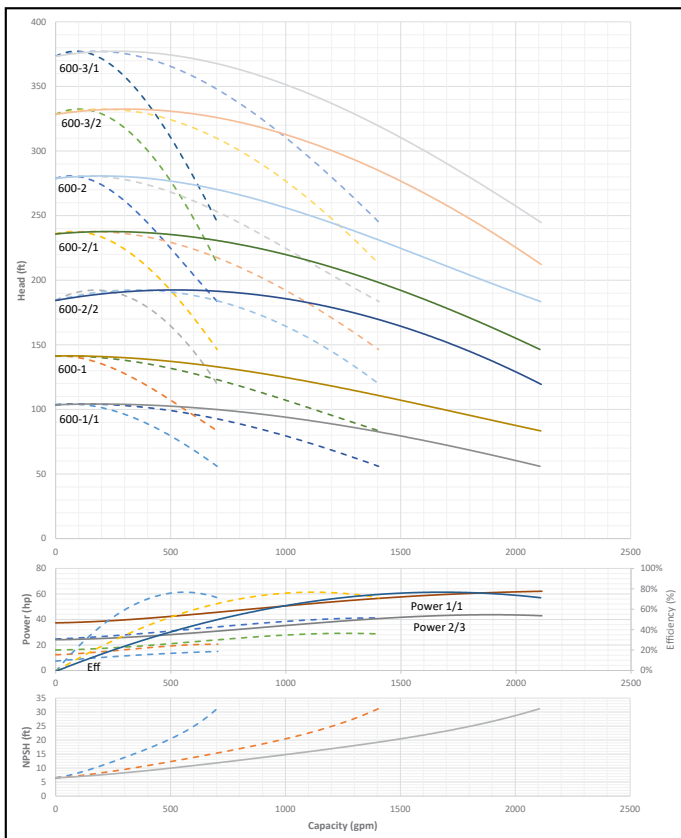


### CO3 MVI-600



Project:	
Engineer:	
Contractor:	
Submitted By:	Date:
Approved By:	Date:

Tag #	Model #	Flow	BOOST PSI	Min. Inlet PSI	HP/Pump	Phase	Voltage	RPM
	CO3 MVI-600				1			3600



#### Applications

- Water Supply
- Agriculture
- Washing / Sprinkling Systems
- Pressure Boosting
- Cooling Circuits
- Condensate Return

#### Materials of Construction

Volute	AISI 304 Stainless Steel with Cast Iron ANSI flanges
Impeller	AISI 304 Stainless Steel
Shaft	ANSI 431 Stainless Steel
Elastomers	EPDM
Manifold	AISI 304 Stainless Steel
Suction Isolation Valves	150# Cast Iron Wafer Butterfly, All Stainless Steel Wetted Components
Discharge Isolation Valve	150# Cast Iron Wafer Butterfly, All Stainless Steel Wetted Components or 300# 304SS Ball Valve
Check Valve	Wafer Style, 316 Stainless Steel internals, non-slam, plunger type with EPDM seal/ cast iron body
Mechanical Seal	Frame and Springs 304SS
Pressure Transducers	¼" MNPT, 316 Stainless Steel
Pressure Gauges	¼" MNPT, 304 Stainless Steel Housing with 316 Stainless Steel wetted parts
System Base	Epoxy Coated A-500 Steel Tubing and A36 C-Channel/Plates

#### Technical Data - Operational Ranges

Liquid Temp Range	5°F to 248°F (Min. 32 °F for Domestic Water)
Ambient Temp Range	+32°F to +104 °F

#### Technical Data - Panel

Liquid Temp Range	208-230/460~3 or 575~3
Enclosure	NEMA 3R up to 20 HP NEMA 12 for 25 HP and above (NEMA 4 and 4X available upon request)
Standard	Meets UL 508A
Variable Frequency Drives	Danfoss FC-101: • 1 HP to 3 HP 208-230V~1 IN / 208-230V~3 OUT • 1 HP to 60 HP 208-230V~3 • 1 HP to 100 HP 460V~3 • 1 HP to 100 HP 575V~3

#### Technical Data - PLC

User Interface	7" Diagonal Color LCD Touchscreen
Display Resolution	800 x 480 Pixels
Supply Voltage	24VDC
Max. Current Consumption	320mA@24V
Number of Analog Inputs	4
Number of Analog Outputs	4
Number of Digital Inputs	18
Number of Digital Outputs	17
Onboard Communications	Modbus Protocol (Optional Gateways for BACnet, LonWorks, and CANbus)
Ethernet Port	RJ45 port capable of transmitting data 10/100Mbps
Additional Ports	2.0 USB Port; Micro-SD Port

#### Motor Data

Power Supply	208-230, 460, 575~3
Motor Enclosure	Totally Enclosed Fan Cooled (TEFC)
Motor Efficiency	Nema Premium Efficiency - Meets NEMA 12-12 Rule
Enclosure Construction	Rolled Steel / Cast Iron
Motor Protection Index	IP54
Insulation Class	F

Approval Stamp

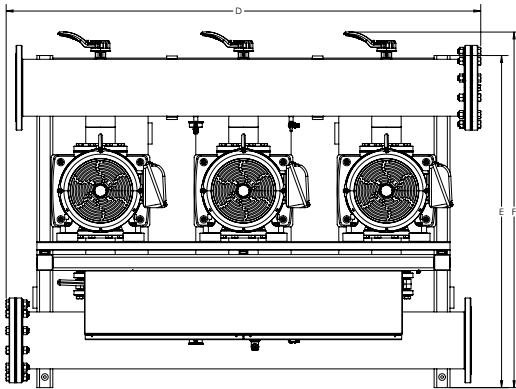
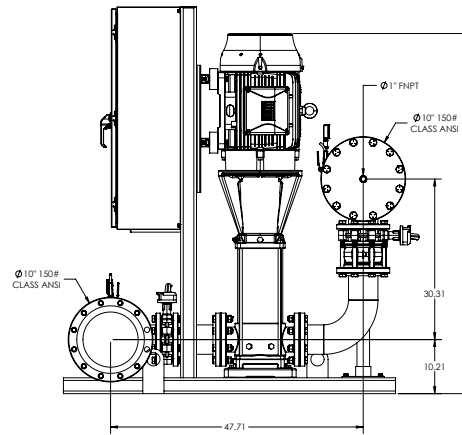
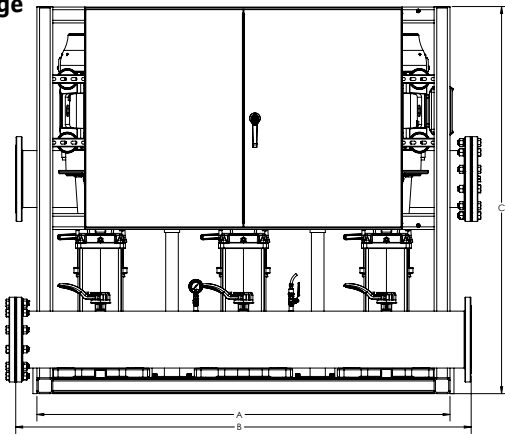
# Submittal Data Sheet

## Wilo-CO MVI - NSF 61/372 Pressure Boosting System



### CO3 MVI-600

#### 150# Discharge



Special Note: All weights and dimensions are approximate and should not be used as exact rough-in dimensions

### CO3 MVI-600

Model	Article	HP	Voltage	Phase	System Header Size (ANSI)	Pmax (PSI)	Dimensions - Inches (in)								TEFC Motor Data (Per Motor)	
							A	B	C	D	E	F	H	System Weight (Lbs)	Motor FLA (per pump)	System FLA
CO3 MVI-600-1/1	3353463	20	208V-230V	~3	10" 150#	232	72	80	75.1	83.56	62	67.18	56.87	3270.43	50.2-45.4	159.1
CO3 MVI-600-1	3353464	25	208V-230V	~3	10" 150#	232	72	80	73.1	83.56	62	67.18	59.13	3499.67	63.0-57.6	196
CO3 MVI-600-2/2	3353465	40	208V-230V	~3	10" 150#	232	78	86	91.1	89.56	62.71	67.18	67.8	4189.82	101-92.6	312.1
CO3 MVI-600-2/1	3353466	40	208V-230V	~3	10" 150#	232	78	86	91.1	89.56	62.71	67.18	67.8	4189.82	101-92.6	312.1
CO3 MVI-600-1/1	3353952	20	460V	~3	10" 150#	232	72	80	61.1	83.56	62	67.18	56.87	3230.31	22.7	75.1
CO3 MVI-600-1	3353953	25	460V	~3	10" 150#	232	72	80	65.1	83.56	65	67.18	59.13	3746.81	28.8	88.9
CO3 MVI-600-2/2	3353954	40	460V	~3	10" 150#	232	78	86	73.1	89.56	62.71	67.18	67.8	4109.7	46.3	148.6
CO3 MVI-600-2/1	3353955	40	460V	~3	10" 150#	232	78	86	73.1	89.56	62.71	67.18	67.8	4109.7	46.3	148.6
CO3 MVI-600-2	3353956	50	460V	~3	10" 150#	232	78	86	69.1	89.56	62.71	67.18	67.8	4262.83	56.1	182.8
CO3 MVI-600-3/2	3353957	60	460V	~3	10" 150#	232	90	98	75.1	101.56	62.71	67.18	76.66	5230.01	67	218.5
CO3 MVI-600-3/1	3353958	60	460V	~3	10" 150#	232	90	98	75.1	101.56	62.71	67.18	76.66	5230.52	67	218.5
CO3 MVI-600-1/1	3354441	20	575V	~3	10" 150#	232	72	80	69.1	83.56	62	67.18	56.87	3406.13	18.2	65.2
CO3 MVI-600-1	3354442	25	575V	~3	10" 150#	232	72	80	73.1	83.56	62	67.18	59.13	3478.67	23	78.1
CO3 MVI-600-2/2	3354443	40	575V	~3	10" 150#	232	78	86	73.1	89.56	62.71	67.18	67.8	4121.7	37	129.7
CO3 MVI-600-2/1	3354444	40	575V	~3	10" 150#	232	78	86	73.1	89.56	62.71	67.18	67.8	4121.7	37	129.7
CO3 MVI-600-2	3354445	50	575V	~3	10" 150#	232	78	86	103.1	89.56	62.71	67.18	67.8	4312.3	44.9	157
CO3 MVI-600-3/2	3354446	60	575V	~3	10" 150#	232	90	98	103.1	101.56	62.71	67.18	76.66	5312.83	53.6	190.9
CO3 MVI-600-3/1	3354447	60	575V	~3	10" 150#	232	90	98	103.1	101.56	62.71	67.18	76.66	5313.34	53.6	190.9