

Submittal Data Sheet

Wilco-CO MVI - NSF 61/372 Pressure Boosting System

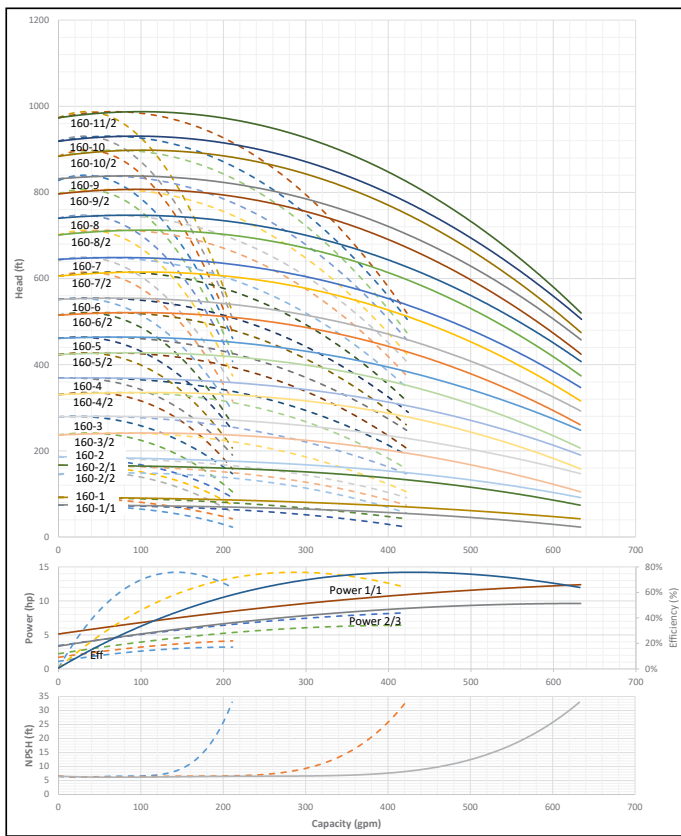


CO3 MVI-1SB-160



Project:	
Engineer:	
Contractor:	
Submitted By:	Date:
Approved By:	Date:

Tag #	Model #	Flow	BOOST PSI	Min. Inlet PSI	HP/Pump	Phase	Voltage	RPM
	CO3 MVI-1SB-160				1			3600



Applications

- Water Supply
- Agriculture
- Washing / Sprinkling Systems
- Pressure Boosting
- Cooling Circuits
- Condensate Return

Materials of Construction

Volute	AISI 304 Stainless Steel with Cast Iron ANSI flanges
Impeller	AISI 304 Stainless Steel
Shaft	ANSI 431 Stainless Steel
Elastomers	EPDM
Manifold	AISI 304 Stainless Steel
Suction Isolation Valves	150# Cast Iron Wafer Butterfly, All Stainless Steel Wetted Components
Discharge Isolation Valve	150# Cast Iron Wafer Butterfly, All Stainless Steel Wetted Components or 300# 304SS Ball Valve
Check Valve	Wafer Style, 316 Stainless Steel internals, non-slam, plunger type with EPDM seal/ cast iron body
Mechanical Seal	Frame and Springs 304SS
Pressure Transducers	¼" MNPT, 316 Stainless Steel
Pressure Gauges	¼" MNPT, 304 Stainless Steel Housing with 316 Stainless Steel wetted parts
System Base	Epoxy Coated A-500 Steel Tubing and A36 C-Channel/Plates

Technical Data - Operational Ranges

Liquid Temp Range	5°F to 248°F (Min. 32 °F for Domestic Water)
Ambient Temp Range	+32°F to +104 °F

Technical Data - Panel

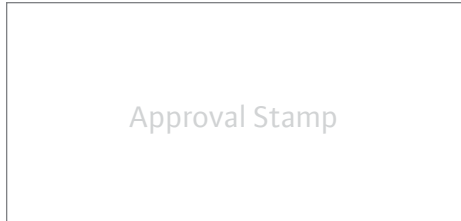
Liquid Temp Range	208-230/460-3 or 575-3
Enclosure	NEMA 3R up to 20 HP NEMA 12 for 25 HP and above (NEMA 4 and 4X available upon request)
Standard	Meets UL 508A
Variable Frequency Drives	Danfoss FC-101: • 1 HP to 3 HP 208-230V-1 IN / 208-230V-3 OUT • 1 HP to 60 HP 208-230V-3 • 1 HP to 100 HP 460V-3 • 1 HP to 100 HP 575V-3

Technical Data - PLC

User Interface	7" Diagonal Color LCD Touchscreen
Display Resolution	800 x 480 Pixels
Supply Voltage	24VDC
Max. Current Consumption	320mA@24V
Number of Analog Inputs	4
Number of Analog Outputs	4
Number of Digital Inputs	18
Number of Digital Outputs	17
Onboard Communications	Modbus Protocol (Optional Gateways for BACnet, LonWorks, and CANbus)
Ethernet Port	RJ45 port capable of transmitting data 10/100Mbps
Additional Ports	2.0 USB Port; Micro-SD Port

Motor Data

Power Supply	208-230, 460, 575~3
Motor Enclosure	Totally Enclosed Fan Cooled (TEFC)
Motor Efficiency	Nema Premium Efficiency - Meets NEMA 12-12 Rule
Enclosure Construction	Rolled Steel / Cast Iron
Motor Protection Index	IP54
Insulation Class	F



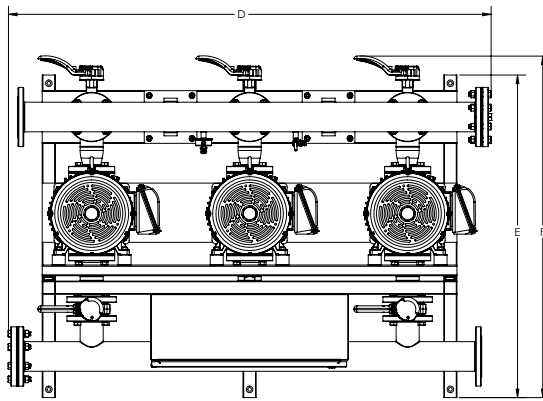
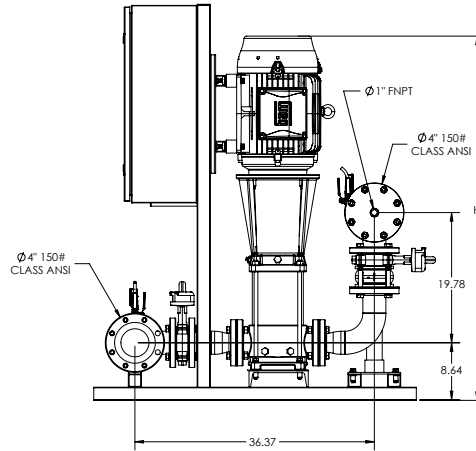
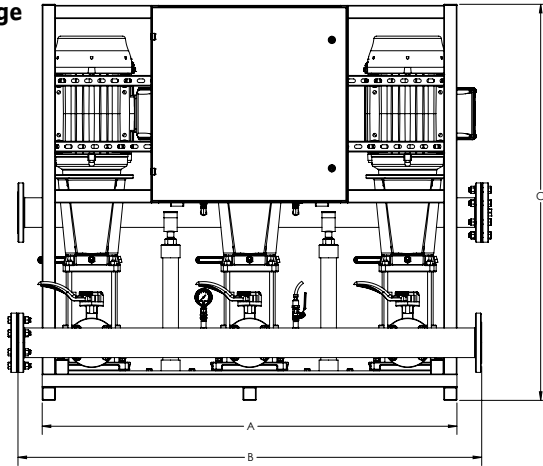
Submittal Data Sheet

Wilo-CO MVI - NSF 61/372 Pressure Boosting System



CO3 MVI-1SB-160

150# Discharge



Special Note: All weights and dimensions are approximate and should not be used as exact rough-in dimensions

CO3 MVI-1SB-160

TEFC Motor Data (Per Motor)

Model	Article	HP	Voltage	Phase	System Header Size (ANSI)	P _{max} (PSI)	Dimensions - Inches (In)								System Weight (Lbs)	TEFC Motor Data (Per Motor)	
							A (in)	B (in)	C (in)	D (in)	E (in)	F (in)	H (in)	Motor FLA (per pump)		System FLA	
CO3 MVI-1SB-160-1/1	3354755	3	208V-230V	~1 IN / ~3 OUT	4" 150#	232	47	52.75	60	55.68	49	51.87	38.09	1110.96	8.12-7.34	46.6	
CO3 MVI-1SB-160-1/1	3354910	3	208V-230V	~3	4" 150#	232	47	52.75	60	55.68	49	51.87	38.09	1110.96	8.12-7.34	29.8	
CO3 MVI-1SB-160-1	3354911	5	208V-230V	~3	4" 150#	232	47	52.75	60	55.68	49	51.87	39.67	1156.56	13.1-11.8	46.6	
CO3 MVI-1SB-160-2/2	3354912	7.5	208V-230V	~3	4" 150#	232	47	52.75	60	55.68	49	51.87	44.12	1331.78	19.2-17.3	64-55	
CO3 MVI-1SB-160-2/1	3354913	7.5	208V-230V	~3	4" 150#	232	47	52.75	60	55.68	49	51.87	44.12	1331.78	19.2-17.3	64-55	
CO3 MVI-1SB-160-2	3354914	7.5	208V-230V	~3	4" 150#	232	47	52.75	60	55.68	49	51.87	44.12	1331.78	19.2-17.3	64-55	
CO3 MVI-1SB-160-3/2	3354915	10	208V-230V	~3	4" 150#	232	47	52.75	60	55.68	49	51.87	48.42	1432.73	25.4-23	85.9-73	
CO3 MVI-1SB-160-3	3354916	15	208V-230V	~3	4" 150#	232	63	70.5	60	73.35	49	51.87	55.33	2284.07	38.5-34.8	124-115.6	
CO3 MVI-1SB-160-4/2	3354917	15	208V-230V	~3	4" 150#	232	63	70.5	60	73.35	49	51.87	58.08	2303.63	38.5-34.8	124-115.6	
CO3 MVI-1SB-160-4	3354918	15	208V-230V	~3	4" 150#	232	63	70.5	60	73.35	49	51.87	58.08	2303.9	38.5-34.8	124-115.6	
CO3 MVI-1SB-160-5/2	3354919	20	208V-230V	~3	4" 150#	232	63	70.5	64	73.35	49	51.87	60.84	2089.68	50.2-45.4	159.1	
CO3 MVI-1SB-160-5	3354920	20	208V-230V	~3	4" 150#	232	63	70.5	64	73.35	49	51.87	60.84	2090.34	50.2-45.4	159.1	
CO3 MVI-1SB-160-1/1	3355200	3	460V	~3	4" 150#	232	47	52.75	60	55.68	49	51.87	38.09	1110.96	3.67	15.4	
CO3 MVI-1SB-160-1	3355201	5	460V	~3	4" 150#	232	47	52.75	60	55.68	49	51.87	39.67	1156.56	5.9	25.6	
CO3 MVI-1SB-160-2/2	3355202	7.5	460V	~3	4" 150#	232	47	52.75	60	55.68	49	51.87	44.12	1330.41	8.67	34	
CO3 MVI-1SB-160-2/1	3355203	7.5	460V	~3	4" 150#	232	47	52.75	60	55.68	49	51.87	44.12	1330.41	8.67	34	

Submittal Data Sheet

Wilco-CO MVI - NSF 61/372 Pressure Boosting System



CO3 MVI-1SB-160 150# Discharge														TEFC Motor Data (Per Motor)	
-----------------------------------	--	--	--	--	--	--	--	--	--	--	--	--	--	--------------------------------	--

Model	Article	HP	Voltage	Phase	System Header Size (ANSI)	Pmax (PSI)	Dimensions - Inches (in)							System Weight (Lbs)	Motor FLA (per pump)	System FLA
							A (in)	B (in)	C (in)	D (in)	E (in)	F (in)	H (in)		(A)	
CO3 MVI-1SB-160-2	3355204	7.5	460V	~3	4" 150#	232	47	52.75	60	55.68	49	51.87	44.12	1330.41	8.67	34
CO3 MVI-1SB-160-3/2	3355205	10	460V	~3	4" 150#	232	47	52.75	60	55.68	49	51.87	48.42	1431.36	11.5	43
CO3 MVI-1SB-160-3	3355206	15	460V	~3	4" 150#	232	63	70.5	60	73.35	49	51.87	55.33	2016.49	17.4	56.2
CO3 MVI-1SB-160-4/2	3355207	15	460V	~3	4" 150#	232	63	70.5	60	73.35	49	51.87	58.08	2036.05	17.4	56.2
CO3 MVI-1SB-160-4	3355208	15	460V	~3	4" 150#	232	63	70.5	60	73.35	49	51.87	55.33	2036.32	17.4	56.2
CO3 MVI-1SB-160-5/2	3355209	20	460V	~3	4" 150#	232	63	70.5	60	73.35	49	51.87	60.84	2080.15	22.7	75.1
CO3 MVI-1SB-160-5	3355210	20	460V	~3	4" 150#	232	63	70.5	60	73.35	49	51.87	60.84	2080.81	22.7	75.1
CO3 MVI-1SB-160-1/1	3355490	3	575V	~3	4" 150#	232	47	52.75	60	55.68	49	51.87	38.09	1112.93	2.9	11.5
CO3 MVI-1SB-160-1	3355491	5	575V	~3	4" 150#	232	47	52.75	60	55.68	49	51.87	39.67	1158.23	4.72	17.8
CO3 MVI-1SB-160-2/2	3355492	7.5	575V	~3	4" 150#	232	47	52.75	60	55.68	49	51.87	44.12	1337.78	6.94	25.9
CO3 MVI-1SB-160-2/1	3355493	7.5	575V	~3	4" 150#	232	47	52.75	60	55.68	49	51.87	44.12	1337.78	6.94	25.9
CO3 MVI-1SB-160-2	3355494	7.5	575V	~3	4" 150#	232	47	52.75	60	55.68	49	51.87	44.12	1337.78	6.94	25.9
CO3 MVI-1SB-160-3/2	3355495	10	575V	~3	4" 150#	232	47	52.75	60	55.68	49	51.87	48.42	1444.73	9.2	35.2
CO3 MVI-1SB-160-3	3355496	15	575V	~3	4" 150#	232	63	70.5	62	73.35	49	51.87	55.33	2178.09	13.8	48.1
CO3 MVI-1SB-160-4/2	3355497	15	575V	~3	4" 150#	232	63	70.5	62	73.35	49	51.87	58.08	2197.65	13.8	48.1
CO3 MVI-1SB-160-4	3355498	15	575V	~3	4" 150#	232	63	70.5	62	73.35	49	51.87	58.08	2197.92	13.8	48.1
CO3 MVI-1SB-160-5/2	3355499	20	575V	~3	4" 150#	232	63	70.5	62	73.35	49	51.87	60.84	2241.75	18.2	65.2
CO3 MVI-1SB-160-5	3355500	20	575V	~3	4" 150#	232	63	70.5	62	73.35	49	51.87	60.84	2242.41	18.2	65.2

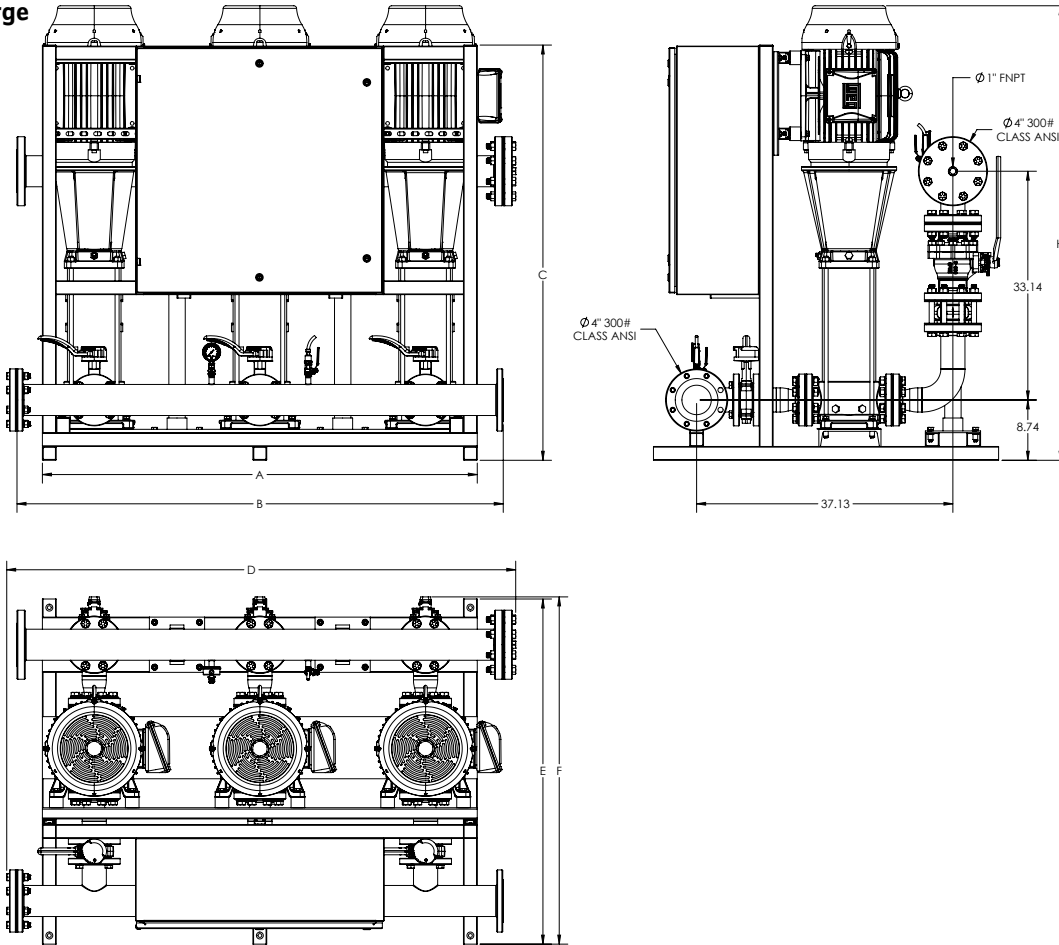
Submittal Data Sheet

Wilo-CO MVI - NSF 61/372 Pressure Boosting System



CO3 MVI-1SB-160

300# Discharge



Special Note: All weights and dimensions are approximate and should not be used as exact rough-in dimensions

CO3 MVI-1SB-160

Dimensions - Inches (in)															TEFC Motor Data (Per Motor)	
Model	Article	HP	Voltage	Phase	System Header Size (ANSI)	Pmax (PSI)	A (in)	B (in)	C (in)	D (in)	E (in)	F (in)	H (in)	System Weight (Lbs)	Motor FLA (per pump)	System FLA
CO3 MVI-1SB-160-6/2	3354921	25	208V-230V	~3	4" 300#	435	63	70.5	64	73.74	50	50.3	65.85	2579.44	63.0-57.6	196
CO3 MVI-1SB-160-6	3354922	25	208V-230V	~3	4" 300#	435	63	70.5	64	73.74	50	50.3	65.85	2580.1	63.0-57.6	196
CO3 MVI-1SB-160-7/2	3354923	30	208V-230V	~3	4" 300#	435	63	70.5	86	73.74	50	53.93	68.61	2687.65	76.7-68.4	229
CO3 MVI-1SB-160-7	3354924	30	208V-230V	~3	4" 300#	435	63	70.5	86	73.74	50	53.93	68.61	2688.31	76.7-68.4	229
CO3 MVI-1SB-160-8/2	3354925	30	208V-230V	~3	4" 300#	435	63	70.5	86	73.74	50	53.93	71.36	2709.19	76.7-68.4	229
CO3 MVI-1SB-160-8	3354926	40	208V-230V	~3	4" 300#	435	69	75.75	86	78.87	50	54.93	73.91	3186.75	101-92.6	312.1
CO3 MVI-1SB-160-9/2	3354927	40	208V-230V	~3	4" 300#	435	69	75.75	86	78.87	50	54.93	76.67	3204.75	101-92.6	312.1
CO3 MVI-1SB-160-9	3354928	40	208V-230V	~3	4" 300#	435	69	75.75	86	78.87	50	54.93	76.67	3204.75	101-92.6	312.1
CO3 MVI-1SB-160-10/2	3354929	40	208V-230V	~3	4" 300#	435	69	75.75	86	78.87	50	54.93	79.43	3222.75	101-92.6	312.1
CO3 MVI-1SB-160-10	3354930	40	208V-230V	~3	4" 300#	435	69	75.75	86	78.87	50	54.93	79.43	3222.75	101-92.6	312.1
CO3 MVI-1SB-160-11/2	3354931	40	208V-230V	~3	4" 300#	435	69	75.75	86	78.87	50	54.93	82.18	3240.75	101-92.6	312.1
CO3 MVI-1SB-160-6/2	3355211	25	460V	~3	4" 300#	435	63	70.5	60	73.74	50	50.3	65.85	2836.04	28.8	88.9
CO3 MVI-1SB-160-6	3355212	25	460V	~3	4" 300#	435	63	70.5	60	73.74	50	50.3	65.85	2836.7	28.8	88.9
CO3 MVI-1SB-160-7/2	3355213	30	460V	~3	4" 300#	435	63	70.5	62	73.74	50	50.3	68.61	2891.58	34.2	104.8
CO3 MVI-1SB-160-7	3355214	30	460V	~3	4" 300#	435	63	70.5	62	73.74	50	50.3	68.61	2892.24	34.2	104.8
CO3 MVI-1SB-160-8/2	3355215	30	460V	~3	4" 300#	435	63	70.5	65	73.74	50	50.3	71.36	2914.14	34.2	104.8
CO3 MVI-1SB-160-8	3355216	40	460V	~3	4" 300#	435	69	75.75	67	78.87	50	50.9	73.91	3133.14	46.3	148.6

Submittal Data Sheet

Wilo-CO MVI - NSF 61/372 Pressure Boosting System



CO3 MVI-1SB-160 300# Discharge															TEFC Motor Data (Per Motor)		
Model	Article	HP	Voltage	Phase	System Header Size (ANSI)	Pmax (PSI)	Dimensions - Inches (in)								System Weight (Lbs)	Motor FLA (per pump)	System FLA
							A (in)	B (in)	C (in)	D (in)	E (in)	F (in)	H (in)	(A)			
CO3 MVI-1SB-160-9/2	3355217	40	460V	~3	4" 300#	435	69	75.75	69	78.87	50	50.9	76.67	3152.17	46.3	148.6	
CO3 MVI-1SB-160-9	3355218	40	460V	~3	4" 300#	435	69	75.75	69	78.87	50	50.9	76.67	3152.17	46.3	148.6	
CO3 MVI-1SB-160-10/2	3355219	40	460V	~3	4" 300#	435	69	75.75	72	78.87	50	50.9	79.43	3171.7	46.3	148.6	
CO3 MVI-1SB-160-10	3355220	40	460V	~3	4" 300#	435	69	75.75	72	78.87	50	50.9	79.43	3171.7	46.3	148.6	
CO3 MVI-1SB-160-11/2	3355221	40	460V	~3	4" 300#	435	69	75.75	75	78.87	50	50.9	82.18	3191.23	46.3	148.6	
CO3 MVI-1SB-160-6/2	3355501	25	575V	~3	4" 300#	435	63	70.5	64	73.74	50	50.3	65.85	2558.44	23	78.1	
CO3 MVI-1SB-160-6	3355502	25	575V	~3	4" 300#	435	63	70.5	64	73.74	50	50.3	65.85	2559.1	23	78.1	
CO3 MVI-1SB-160-7/2	3355503	30	575V	~3	4" 300#	435	63	70.5	64	73.74	50	50.3	68.61	2635.51	27.4	95.5	
CO3 MVI-1SB-160-7	3355504	30	575V	~3	4" 300#	435	63	70.5	64	73.74	50	50.3	68.61	2636.17	27.4	95.5	
CO3 MVI-1SB-160-8/2	3355505	30	575V	~3	4" 300#	435	63	70.5	65	73.74	50	50.3	71.36	2657.56	27.4	95.5	
CO3 MVI-1SB-160-8	3355506	40	575V	~3	4" 300#	435	69	75.75	67	78.87	50	50.9	73.91	3145.14	37	129.7	
CO3 MVI-1SB-160-9/2	3355507	40	575V	~3	4" 300#	435	69	75.75	69	78.87	50	50.9	76.67	3164.17	37	129.7	
CO3 MVI-1SB-160-9	3355508	40	575V	~3	4" 300#	435	69	75.75	69	78.87	50	50.9	76.67	3164.17	37	129.7	
CO3 MVI-1SB-160-10/2	3355509	40	575V	~3	4" 300#	435	69	75.75	72	78.87	50	50.9	79.43	3183.7	37	129.7	
CO3 MVI-1SB-160-10	3355510	40	575V	~3	4" 300#	435	69	75.75	72	78.87	50	50.9	79.43	3183.7	37	129.7	
CO3 MVI-1SB-160-11/2	3355511	40	575V	~3	4" 300#	435	69	75.75	75	78.87	50	50.9	82.18	3203.23	37	129.7	