

Submittal Data Sheet

Wilo-CO MVI – NSF 61/372 Pressure Boosting System

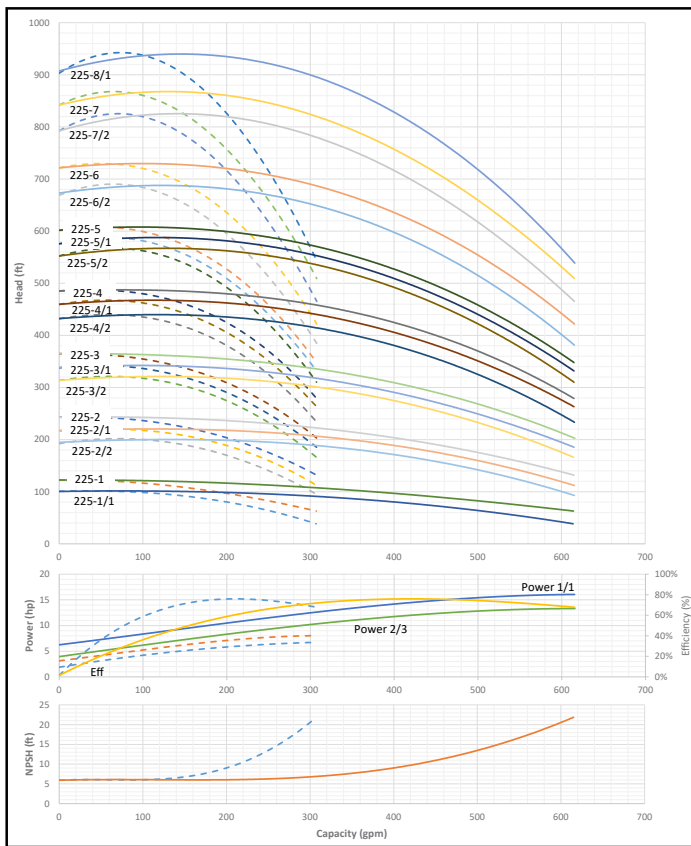


CO2 MVI-225



Project:	
Engineer:	
Contractor:	
Submitted By:	Date:
Approved By:	Date:

Tag #	Model #	Flow	BOOST PSI	Min. Inlet PSI	HP/Pump	Phase	Voltage	RPM
	CO2 MVI-225							3600



Applications

- Water Supply
- Agriculture
- Washing / Sprinkling Systems
- Pressure Boosting
- Cooling Circuits
- Condensate Return

Materials of Construction

Volute	AISI 304 Stainless Steel with Cast Iron ANSI flanges
Impeller	AISI 304 Stainless Steel
Shaft	ANSI 431 Stainless Steel
Elastomers	EPDM
Manifold	AISI 304 Stainless Steel
Suction Isolation Valves	150# Cast Iron Wafer Butterfly, All Stainless Steel Wetted Components
Discharge Isolation Valve	150# Cast Iron Wafer Butterfly, All Stainless Steel Wetted Components or 300# 304SS Ball Valve
Check Valve	Wafer Style, 316 Stainless Steel internals, non-slam, plunger type with EPDM seal/ cast iron body
Mechanical Seal	Frame and Springs 304SS
Pressure Transducers	¼" MNPT, 316 Stainless Steel
Pressure Gauges	¼" MNPT, 304 Stainless Steel Housing with 316 Stainless Steel wetted parts
System Base	Epoxy Coated A-500 Steel Tubing and A36 C-Channel/Plates

Motor Data

Power Supply	208-230, 460, 575~3
Motor Enclosure	Totally Enclosed Fan Cooled (TEFC)
Motor Efficiency	Nema Premium Efficiency – Meets NEMA 12-12 Rule
Enclosure Construction	Rolled Steel/ Cast Iron
Motor Protection Index	IP54
Insulation Class	F

Approval Stamp

Technical Data – Operational Ranges

Liquid Temp Range	5°F to 248°F (Min. 32 °F for Domestic Water)
Ambient Temp Range	+32°F to +104 °F

Technical Data – Panel

Voltage	208-230/460~3 or 575~3
Enclosure	NEMA 3R up to 20 HP NEMA 12 for 25 HP and above (NEMA 4 and 4X available upon request)
Standard	Meets UL 508A
Variable Frequency Drives	Danfoss FC-101: • 1 HP to 3 HP 208-230V~1 IN / 208-230V~3 OUT • 1 HP to 60 HP 208-230V~3 • 1 HP to 100 HP 460V~3 • 1 HP to 100 HP 575V~3

Technical Data – PLC

User Interface	7" Diagonal Color LCD Touchscreen
Display Resolution	800 x 480 Pixels
Supply Voltage	24VDC
Max. Current Consumption	320mA@24V
Number of Analog Inputs	4
Number of Analog Outputs	4
Number of Digital Inputs	18
Number of Digital Outputs	17
Onboard Communications	Modbus Protocol (Optional Gateways for BACnet, LonWorks, and CANbus)
Ethernet Port	RJ45 port capable of transmitting data 10/100Mbps
Additional Ports	2.0 USB Port; Micro-SD Port

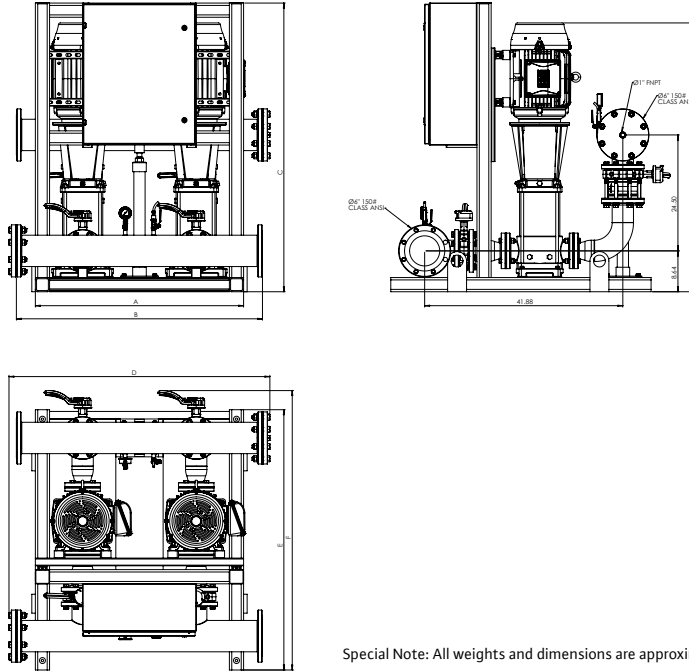
Submittal Data Sheet

Wilo-CO MVI - NSF 61/372 Pressure Boosting System



CO2 MVI-225

150# Discharge



Special Note: All weights and dimensions are approximate and should not be used as exact rough-in dimensions

CO2 MVI-225

CO2 MVI-225															TEFC Motor Data (Per Motor)	
Dimensions - Inches (in)															Motor FLA (per pump)	System FLA
Model	Article	HP	Voltage	Phase	System Header Size (ANSI)	Pmax (PSI)	A (in)	B (in)	C (in)	D (in)	E (in)	F (in)	H (in)	System Weight (Lbs)	(A)	
CO2 MVI-225-1/1	3353271	7.5	208V-230V	~3	6" 150#	232	35.75	61	61	64	13	59	42.05	1481.4	19.2-17.3	43-37
CO2 MVI-225-1	3353272	7.5	208V-230V	~3	6" 150#	232	35.75	61	61	64	13	59	42.05	1481	19.2-17.3	43-37
CO2 MVI-225-2/2	3353273	15	208V-230V	~3	6" 150#	232	44	52	61	55.13	54.75	59	53.66	1978.67	38.5-34.8	83-77.4
CO2 MVI-225-2/1	3353274	15	208V-230V	~3	6" 150#	232	44	52	61	55.13	54.75	59	53.66	1978.71	38.5-34.8	83-77.4
CO2 MVI-225-2	3353275	15	208V-230V	~3	6" 150#	232	44	52	61	55.13	54.75	59	53.66	1978.75	38.5-34.8	83-77.4
CO2 MVI-225-3/2	3353276	20	208V-230V	~3	6" 150#	232	44	52	69	55.13	54.75	59	56.81	1861.74	50.2-45.4	106.4
CO2 MVI-225-3/1	3353277	25	208V-230V	~3	6" 150#	232	44	52	69	55.13	55	59	59.08	2018.48	63.0-57.6	131
CO2 MVI-225-3	3353278	25	208V-230V	~3	6" 150#	232	44	52	69	55.13	55	59	59.07	2018.54	63.0-57.6	131
CO2 MVI-225-4/2	3353279	30	208V-230V	~3	6" 150#	232	44	52	87	55.13	55	60.58	62.22	2110.26	76.7-68.4	153
CO2 MVI-225-1/1	3353760	7.5	460V	~3	6" 150#	232	35.75	61	61	64	13	59	42.05	1353.71	8.67	34.2
CO2 MVI-225-1	3353761	7.5	460V	~3	6" 150#	232	35.75	61	61	64	13	59	42.05	1354.23	8.67	34.2
CO2 MVI-225-2/2	3353762	15	460V	~3	6" 150#	232	44	52	61	55.13	55	59	53.66	1810.81	17.4	37.8
CO2 MVI-225-2/1	3353763	15	460V	~3	6" 150#	232	44	52	61	55.13	55	59	53.66	1810.85	17.4	37.8
CO2 MVI-225-2	3353764	15	460V	~3	6" 150#	232	44	52	61	55.13	55	59	53.66	1810.89	17.4	37.8
CO2 MVI-225-3/2	3353765	20	460V	~3	6" 150#	232	44	52	61	55.13	55	59	56.81	1843.51	22.7	50.4
CO2 MVI-225-3/1	3353766	25	460V	~3	6" 150#	232	44	52	69	55.13	55	59	59.08	2089.71	28.8	59.6
CO2 MVI-225-3	3353767	25	460V	~3	6" 150#	232	44	52	69	55.13	55	59	59.07	2089.77	28.8	59.6
CO2 MVI-225-4/2	3353768	30	460V	~3	6" 150#	232	44	52	61	55.13	55	59	62.22	2117.14	34.2	70.2
CO2 MVI-225-1/1	3354249	7.5	575V	~3	6" 150#	232	35.75	61	61	64	13	59	42.05	1357.71	6.94	17.6
CO2 MVI-225-1	3354250	7.5	575V	~3	6" 150#	232	35.75	61	61	64	13	59	42.05	1357.77	6.94	17.6
CO2 MVI-225-2/2	3354251	15	575V	~3	6" 150#	232	44	52	61	55.13	54.75	59	53.66	1800.4	13.8	32.4
CO2 MVI-225-2/1	3354252	15	575V	~3	6" 150#	232	44	52	61	55.13	54.75	59	53.66	1800.44	13.8	32.4
CO2 MVI-225-2	3354253	15	575V	~3	6" 150#	232	44	52	61	55.13	54.75	59	53.66	1800.48	13.8	32.4
CO2 MVI-225-3/2	3354254	20	575V	~3	6" 150#	232	44	52	61	55.13	55	59	56.81	1834.62	18.2	43.8
CO2 MVI-225-3/1	3354255	25	575V	~3	6" 150#	232	44	52	69	55.13	55	59	59.08	2004.48	23	52.4
CO2 MVI-225-3	3354256	25	575V	~3	6" 150#	232	44	52	69	55.13	55	59	59.07	2004.54	23	52.4
CO2 MVI-225-4/2	3354257	30	575V	~3	6" 150#	232	44	52	69	55.13	55	59	62.22	2058.62	27.4	64

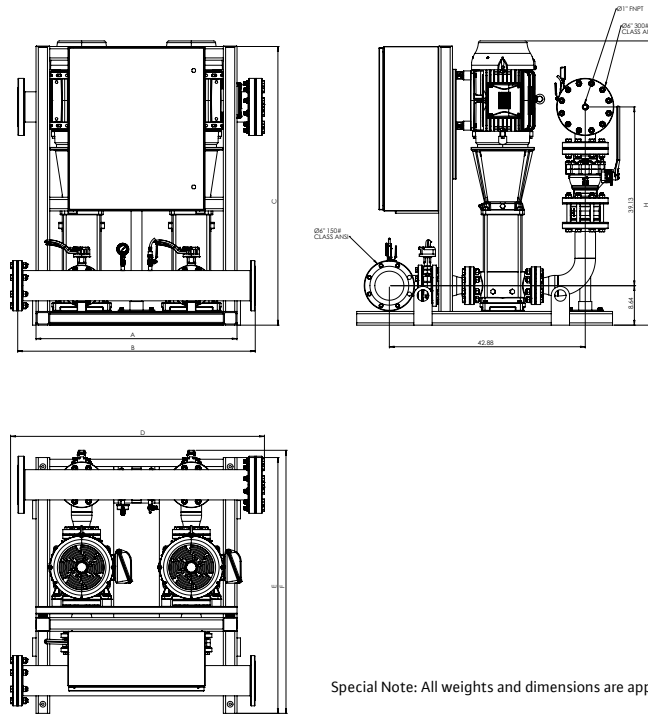
Submittal Data Sheet

Wilo-CO MVI - NSF 61/372 Pressure Boosting System



CO2 MVI-225

300# Discharge



Special Note: All weights and dimensions are approximate and should not be used as exact rough-in dimensions

CO2 MVI-225

TEFC Motor Data (Per Motor)

Model	Article	HP	Voltage	Phase	System Header Size (ANSI)	Pmax (PSI)	Dimensions - Inches (in)								System Weight (Lbs)	Motor FLA	System
							A (in)	B (in)	C (in)	D (in)	E (in)	F (in)	H (in)	(A)		FLA	
CO2 MVI-225-4/1	3353280	30	208V-230V	~3	6" 300#	435	44	52	87	55.57	56	58.5	62.22	2345.16	76.7-68.4	153	
CO2 MVI-225-4/1	3353281	30	208V-230V	~3	6" 300#	435	44	52	87	55.57	56	58.5	62.22	2345.2	76.7-68.4	153	
CO2 MVI-225-5/2	3353282	40	208V-230V	~3	6" 300#	435	47	55	87	58.57	56	59.5	67.92	2679.36	101-92.6	208.4	
CO2 MVI-225-5/1	3353283	40	208V-230V	~3	6" 300#	435	47	55	87	58.57	56	59.5	67.92	2679.36	101-92.6	208.4	
CO2 MVI-225-5	3353284	40	208V-230V	~3	6" 300#	435	47	55	87	58.57	56	59.5	67.92	2679.36	101-92.6	208.4	
CO2 MVI-225-4/1	3353769	30	460V	~3	6" 300#	435	44	52	61	55.57	56	57.41	62.22	2352.05	34.2	70.2	
CO2 MVI-225-4/1	3353770	30	460V	~3	6" 300#	435	44	52	61	55.57	56	57.41	62.22	2352.63	34.2	70.2	
CO2 MVI-225-5/2	3353771	40	460V	~3	6" 300#	435	47	55	69	58.57	56	57.41	67.92	2954.28	46.3	99.4	
CO2 MVI-225-5/1	3353772	40	460V	~3	6" 300#	435	47	55	69	58.57	56	57.41	67.92	2954.28	46.3	99.4	
CO2 MVI-225-5	3353773	40	460V	~3	6" 300#	435	47	55	69	58.57	56	57.41	67.92	2954.28	46.3	99.4	
CO2 MVI-225-6/2	3353774	50	460V	~3	6" 300#	435	47	55	69	58.57	56	57.41	71.07	2747.7	56.1	122.2	
CO2 MVI-225-6/2	3353775	50	460V	~3	6" 300#	435	47	55	69	58.57	56	57.41	68.07	2747.24	56.1	122.2	
CO2 MVI-225-7/2	3353776	50	460V	~3	6" 300#	435	47	55	70	58.57	56	57.41	74.22	2761.88	56.1	122.2	
CO2 MVI-225-7/2	3353777	60	460V	~3	6" 300#	435	53	61	70	64.57	56	57.41	76.95	3346.8	67	146	
CO2 MVI-225-8/1	3353778	60	460V	~3	6" 300#	435	53	61	74	64.57	56	57.41	80.1	3367.24	67	146	
CO2 MVI-225-4/1	3354258	30	575V	~3	6" 300#	435	44	52	69	55.57	56	57.41	62.22	2293.52	27.4	64	
CO2 MVI-225-4/1	3354259	30	575V	~3	6" 300#	435	44	52	69	55.57	56	57.41	62.22	2293.56	27.4	64	
CO2 MVI-225-5/2	3354260	40	575V	~3	6" 300#	435	47	55	69	58.57	56	57.41	67.92	2633.68	37	86.8	
CO2 MVI-225-5/1	3354261	40	575V	~3	6" 300#	435	47	55	69	58.57	56	57.41	67.92	2633.68	37	86.8	
CO2 MVI-225-5	3354262	40	575V	~3	6" 300#	435	47	55	69	58.57	56	57.41	67.92	2633.68	37	86.8	
CO2 MVI-225-6/2	3354263	50	575V	~3	6" 300#	435	47	55	87	58.57	56	59.5	71.07	2764.84	44.9	105	
CO2 MVI-225-6/2	3354264	50	575V	~3	6" 300#	435	47	55	87	58.57	56	59.5	71.07	2764.92	44.9	105	
CO2 MVI-225-7/2	3354265	50	575V	~3	6" 300#	435	47	55	87	58.57	56	59.5	74.22	2781	44.9	105	
CO2 MVI-225-7/2	3354266	60	575V	~3	6" 300#	435	53	61	87	64.57	56	60.5	76.95	3395.88	53.6	127.6	
CO2 MVI-225-8/1	3354267	60	575V	~3	6" 300#	435	53	61	87	64.57	56	60.5	80.1	3409.94	53.6	127.6	