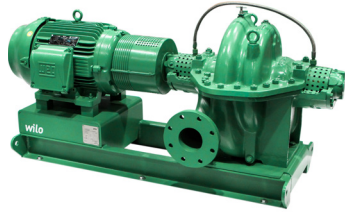


# Submittal Data Sheet

## Wilo SCP – Horizontal Split Case Pumps

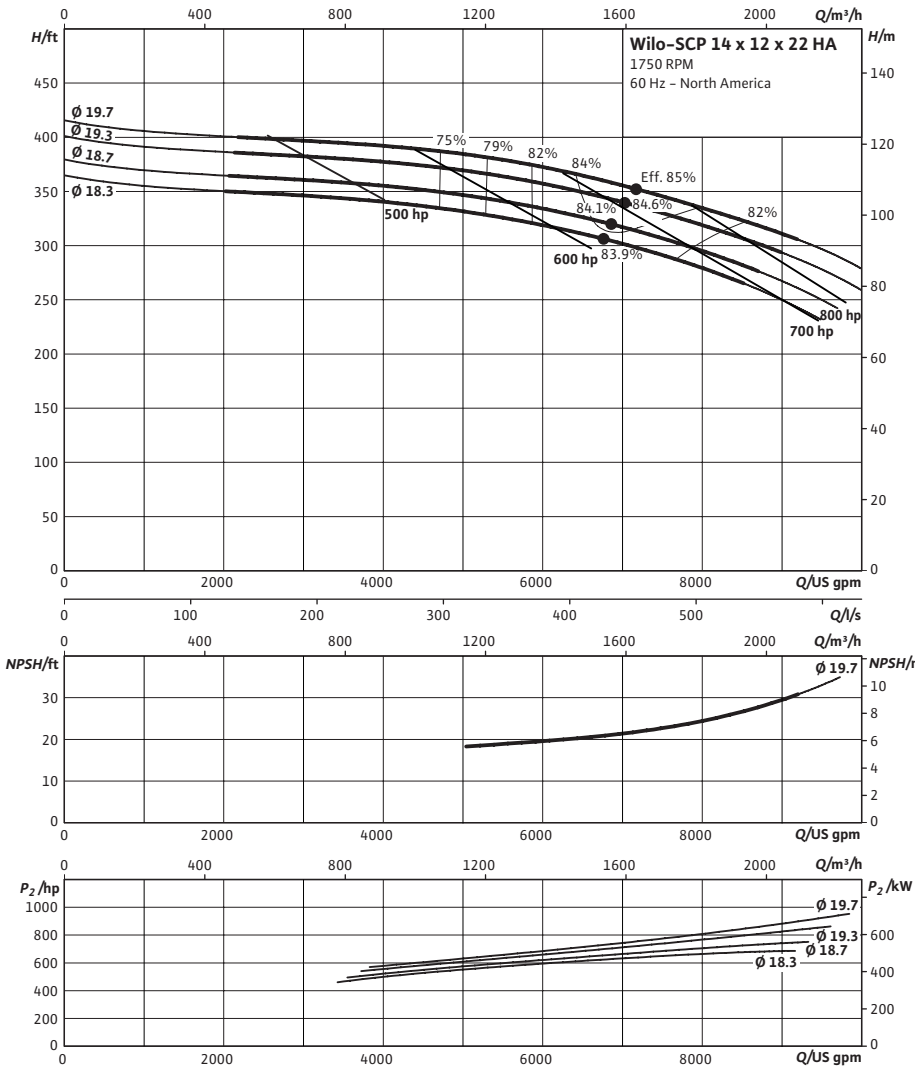


### SCP 14 x 12 x 22 HA



Project:	
Engineer:	
Contractor:	
Submitted By:	Date:
Approved By:	Date:

Tag #	Model #	Flow (USGPM)	Head (Feet)	HP	Enclosure TEFC/ODP	Frame	Cycle	Phase	Voltage	RPM
	SCP 14 x 12 x 22 HA						60 Hz	3		



#### Technical Data

##### Approved Fluids

Heating Water  
Cooling and cold water

Water-Glycol mixtures (for 20-40% glycol and fluid temp  $\leq$  104°F [40°C])

##### Fluid Temperature

Mechanical Seal: 18°F to 250°F (-8°C to 120°C)  
Stuffing Box Packing: 18°F to 220°F (-8°C to 105°C)

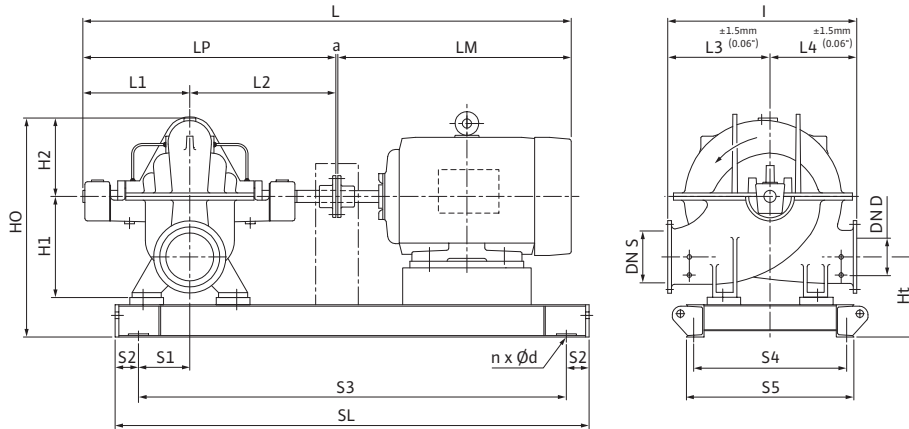
#### Materials of Construction

<input type="checkbox"/>	Pump Housing	A48 Class 35
<input type="checkbox"/>	Pump Housing (Optional)	Ni-resist BS 3468 Gr 2 / BS 2789 500.1
<input type="checkbox"/>	Impeller	BS 84 C83 600
<input type="checkbox"/>	Impeller (optional)	A48 Class 35 / BS 84 C83 600
<input type="checkbox"/>	Stationary Wear Rings	BS 84 C93 700
<input type="checkbox"/>	Pump Shaft	A276 type 410
<input type="checkbox"/>	Pump Shaft (optional)	BS 970 316 S16
<input type="checkbox"/>	Mechanical Seal	Carbon/silicon carbide/EPDM (E1)
<input type="checkbox"/>	Other Mechanical Seals	Avail. on request
<input type="checkbox"/>	Additional Spacer Coupling	Avail. on request
<input type="checkbox"/>	Other:	

Approval Stamp

### Dimensional Drawing

### Single Stage Pump



#### SCP 14 x 12 x 22 HA

Dimensions – Inches (mm)

Frame	a	L	I	L1	L2	L3	L4	LM	LP	H1	H2	HO	Ht	n	Ød	S1	S2	S3	S4	S5	SL	P5	P6
*	.19 (5)	*	45.75 (1162)	23.38 (594)	27.25 (692)	24.75 (629)	21.00 (533)	*	50.69 (1288)	23.25 (591)	17.31 (440)	47.50 (1207)	15.31 (309)	*	*	10.75 (273)	4.00 (102)	*	*	*	*	-	-

\* CONSULT FACTORY FOR MOTOR AND DIMENSIONS

#### Flange Dimensions – Suction Side

Dimensions – Inches (mm)

DN S #125	ØD	Ød	Øk	b	n	D2
14	21.00 (533)	16.25 (413)	18.75 (476)	1.38 (35)	12	1.13 (29)

#### Flange Dimensions – Discharge Side

Dimensions – Inches (mm)

DND 125#	ØD	Ød	Øk	b	n	D2
12	19 (483)	15.00 (381)	17.00 (432)	1.25 (32)	12	1.00 (25)

