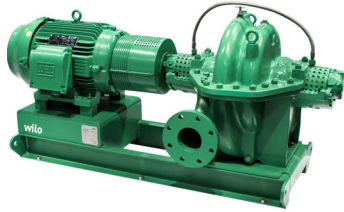


# Submittal Data Sheet

## Wilo SCP – Horizontal Split Case Pumps

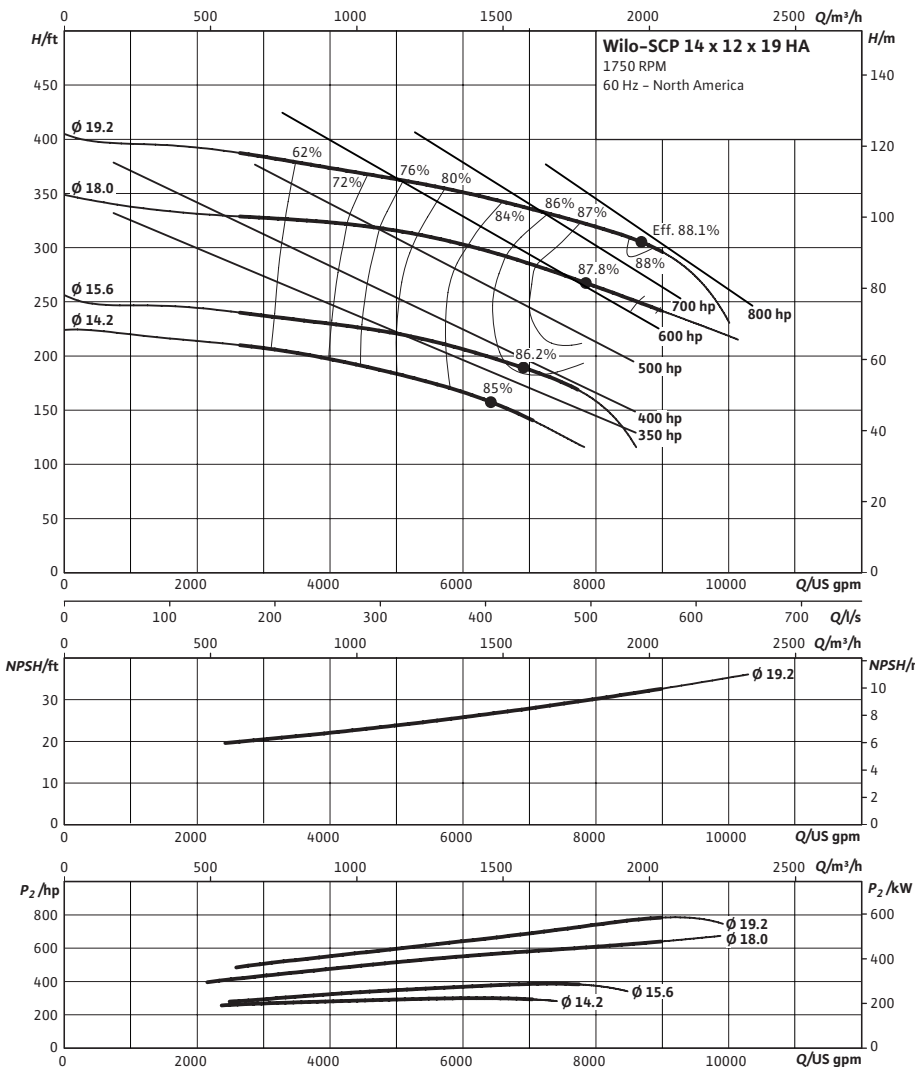


### SCP 14 x 12 x 19 HA



Project:	
Engineer:	
Contractor:	
Submitted By:	Date:
Approved By:	Date:

Tag #	Model #	Flow (USGPM)	Head (Feet)	HP	Enclosure TEFC/ODP	Frame	Cycle	Phase	Voltage	RPM
	SCP 14 x 12 x 19 HA						60 Hz	3		



#### Technical Data

<b>Approved Fluids</b>	
Heating Water	
Cooling and cold water	
Water-Glycol mixtures (for 20–40% glycol and fluid temp ≤ 104°F [40°C])	

<b>Fluid Temperature</b>	
Mechanical Seal	18°F to 250°F (-8°C to 120°C)
Stuffing Box Packing	18°F to 220°F (-8°C to 105°C)

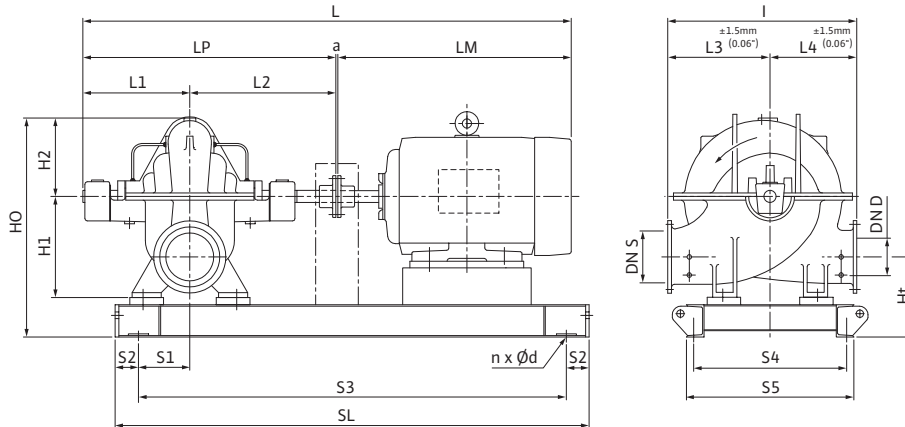
#### Materials of Construction

<input type="checkbox"/> Pump Housing	A48 Class 35
<input type="checkbox"/> Pump Housing (Optional)	Ni-resist BS 3468 Gr 2 / BS 2789 500.1
<input type="checkbox"/> Impeller	BS 84 C83 600
<input type="checkbox"/> Impeller (optional)	A48 Class 35 / BS 84 C83 600
<input type="checkbox"/> Stationary Wear Rings	BS 84 C93 700
<input type="checkbox"/> Pump Shaft	A276 type 410
<input type="checkbox"/> Pump Shaft (optional)	BS 970 316 S16
<input type="checkbox"/> Mechanical Seal	Carbon/silicon carbide/EPDM (E1)
<input type="checkbox"/> Other Mechanical Seals	Avail. on request
<input type="checkbox"/> Additional Spacer Coupling	Avail. on request
<input type="checkbox"/> Other:	

Approval Stamp

### Dimensional Drawing

### Single Stage Pump



### SCP 14 x 12 x 19 HA

Dimensions - Inches (mm)

Frame	a	L	I	L1	L2	L3	L4	LM	LP	H1	H2	HO	Ht	n	Ød	S1	S2	S3	S4	S5	SL	P5	P6
449T / 350 hp	.19 (5)	104.25 (2678)	42.00 (1067)	23.38 (594)	27.31 (694)	23.00 (584)	19.00 (483)	53.38 (1356)	50.69 (1284)	23.25 (591)	15.94 (405)	46.13 (1172)	16.69 (424)	4	.91 (23)	10.75 (273)	4.00 (102)	79.50 (2019)	23.63 (600)	26.38 (670)	87.50 (2223)	-	-
449T / 400 hp	.19 (5)	104.25 (2678)	42.00 (1067)	23.38 (594)	27.31 (694)	23.00 (584)	19.00 (483)	53.38 (1356)	50.69 (1284)	23.25 (591)	15.94 (405)	46.13 (1172)	16.69 (424)	4	.91 (23)	10.75 (273)	4.00 (102)	79.50 (2019)	23.63 (600)	26.38 (670)	87.50 (2223)	-	-

### Flange Dimensions - Suction Side

Dimensions - Inches (mm)

DN S #125	ØD	Ød	Øk	b	n	D2
14	21.00 (533)	16.25 (413)	18.75 (476)	1.38 (35)	12	1.13 (29)

### Flange Dimensions - Discharge Side

Dimensions - Inches (mm)

DND 125#	ØD	Ød	Øk	b	n	D2
12	19 (483)	15.00 (381)	17.00 (432)	1.25 (32)	12	1.00 (25)

