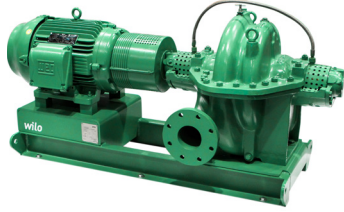


# Submittal Data Sheet

## Wilco SCP - Horizontal Split Case Pumps

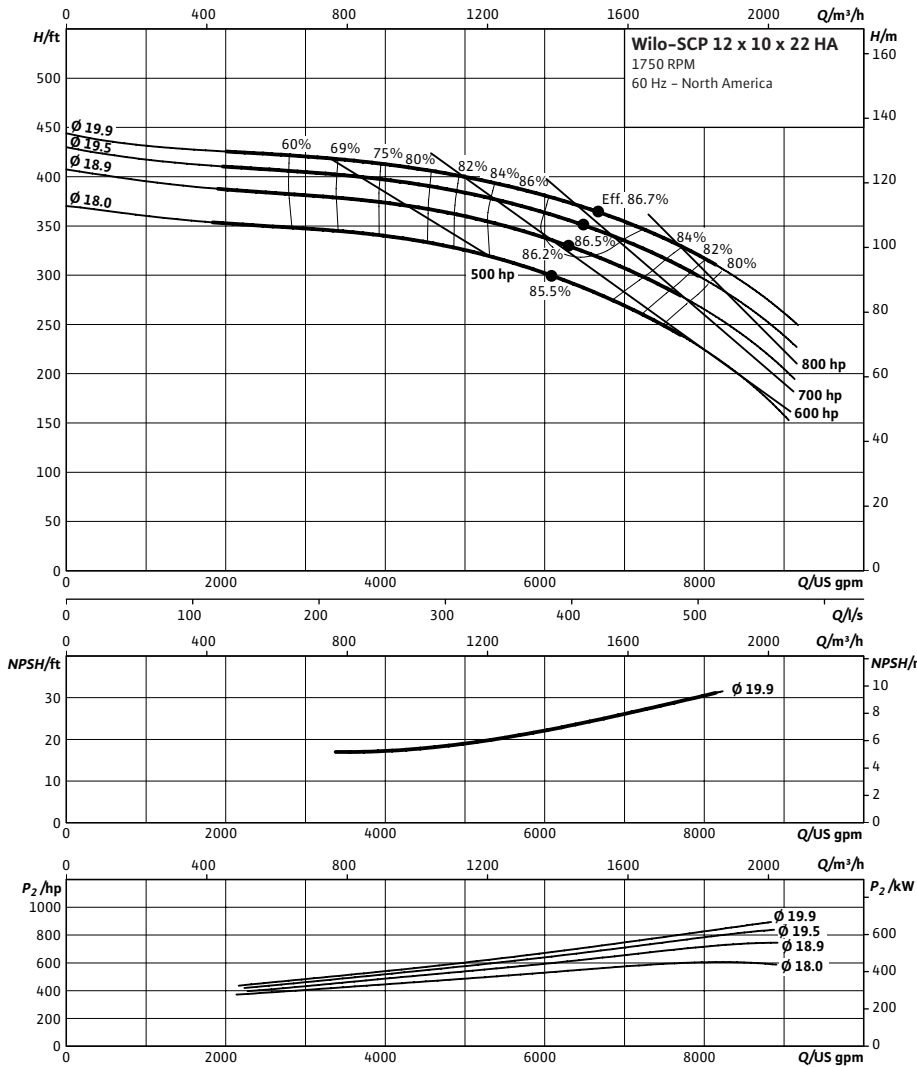


### SCP 12 x 10 x 22 HA



Project:	
Engineer:	
Contractor:	
Submitted By:	Date:
Approved By:	Date:

Tag #	Model #	Flow (USGPM)	Head (Feet)	HP	Enclosure TEFC/ODP	Frame	Cycle	Phase	Voltage	RPM
	SCP 12 x 10 x 22 HA						60 Hz	3		



#### Technical Data

<b>Approved Fluids</b>	
Heating Water	
Cooling and cold water	
Water-Glycol mixtures (for 20-40% glycol and fluid temp $\leq 104^{\circ}\text{F}$ [ $40^{\circ}\text{C}$ ])	
<b>Fluid Temperature</b>	
Mechanical Seal	18°F to 250°F (-8°C to 120°C)
Stuffing Box Packing	18°F to 220°F (-8°C to 105°C)

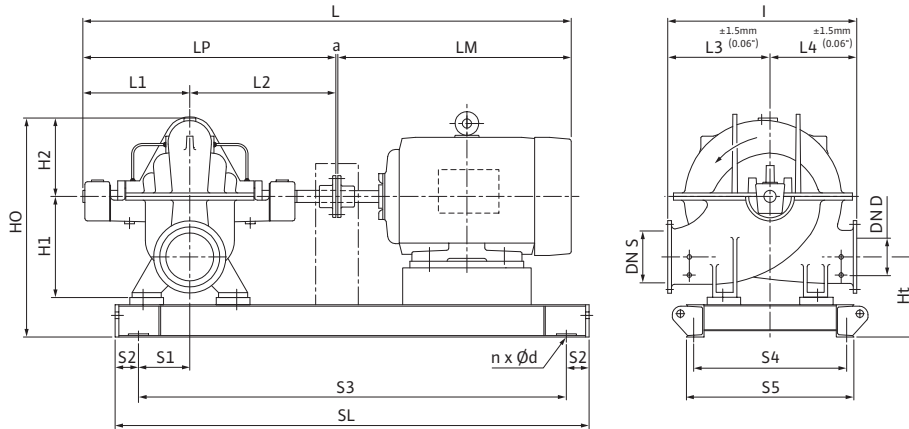
#### Materials of Construction

<input type="checkbox"/> Pump Housing	A48 Class 35
<input type="checkbox"/> Pump Housing (Optional)	Ni-resist BS 3468 Gr 2 / BS 2789 500.1
<input type="checkbox"/> Impeller	BS 84 C83 600
<input type="checkbox"/> Impeller (optional)	A48 Class 35 / BS 84 C83 600
<input type="checkbox"/> Stationary Wear Rings	BS 84 C93 700
<input type="checkbox"/> Pump Shaft	A276 type 410
<input type="checkbox"/> Pump Shaft (optional)	BS 970 316 S16
<input type="checkbox"/> Mechanical Seal	Carbon/silicon carbide/EPDM (E1)
<input type="checkbox"/> Other Mechanical Seals	Avail. on request
<input type="checkbox"/> Additional Spacer Coupling	Avail. on request
<input type="checkbox"/> Other:	

Approval Stamp

### Dimensional Drawing

### Single Stage Pump



#### SCP 12 x 10 x 22 HA

Dimensions - Inches (mm)

Frame	a	L	I	L1	L2	L3	L4	LM	LP	H1	H2	HO	Ht	n	Ød	S1	S2	S3	S4	S5	SL	P5	P6
*	.19 (5)	*	39.00 (991)	23.38 (594)	27.25 (692)	23.00 (584)	19.38 (492)	*	50.69 (1288)	21.50 (546)	16.38 (416)	44.81 (1138)	14.44 (367)	*	*	9.75 (248)	4.00 (102)	*	*	*	*	-	-

\* CONSULT FACTORY FOR MOTOR AND DIMENSIONS

#### Flange Dimensions – Suction Side

Dimensions - Inches (mm)

DN S #125	ØD	Ød	Øk	b	n	D2
12	19 (483)	15.00 (381)	17.00 (432)	1.25 (32)	12	1.00 (25)

#### Flange Dimensions – Discharge Side

Dimensions - Inches (mm)

DN D 125#	ØD	Ød	Øk	b	n	D2
10	16.00 (406)	12.75 (324)	14.25 (362)	1.81 (30.16)	12	1.00 (25)

