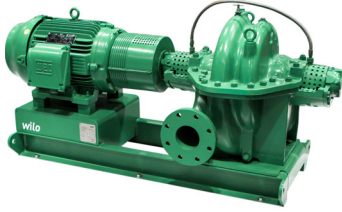


# Submittal Data Sheet

## Wilo SCP – Horizontal Split Case Pumps

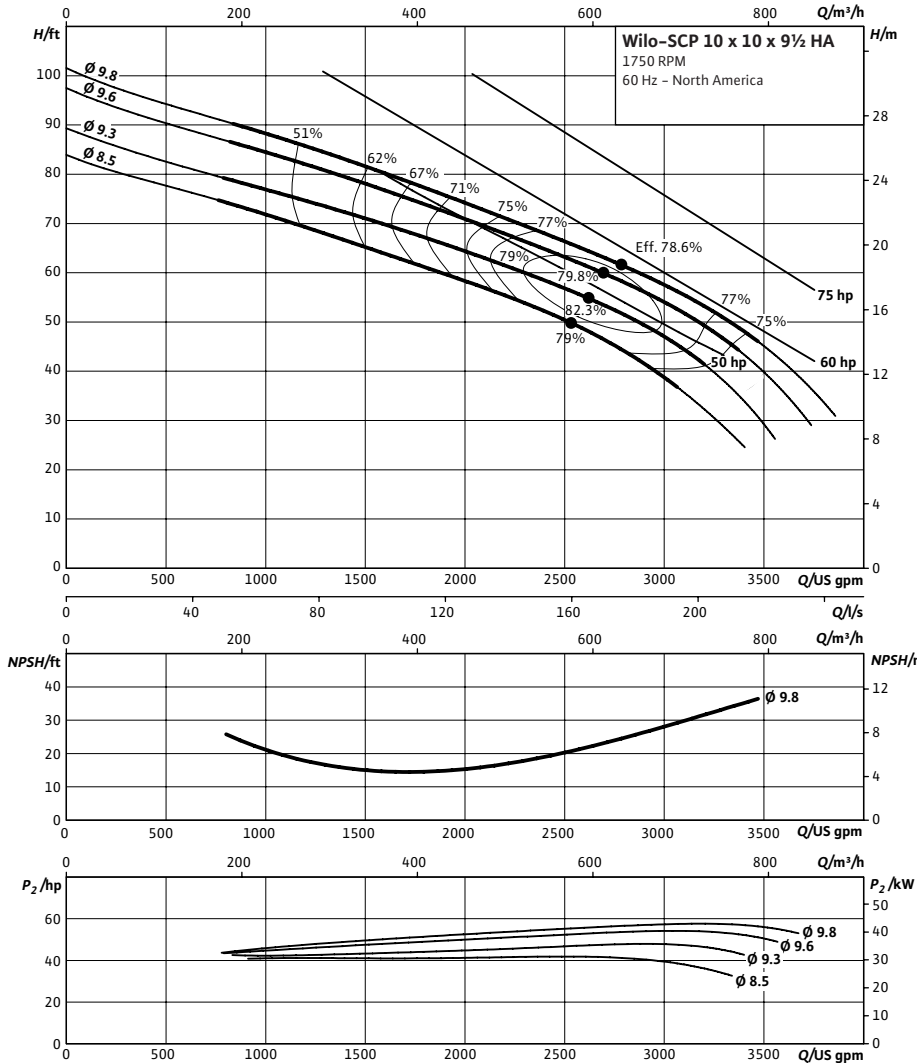


### SCP 10 x 10 x 9½ HA



Project:	
Engineer:	
Contractor:	
Submitted By:	Date:
Approved By:	Date:

Tag #	Model #	Flow (USGPM)	Head (Feet)	HP	Enclosure TEFC/ODP	Frame	Cycle	Phase	Voltage	RPM
	SCP 10 x 10 x 9½ HA						60 Hz	3		



#### Technical Data

<b>Approved Fluids</b>	
Heating Water	
Cooling and cold water	
Water-Glycol mixtures (for 20-40% glycol and fluid temp ≤ 104°F [40°C])	
<b>Fluid Temperature</b>	
Mechanical Seal	18°F to 250°F (-8°C to 120°C)
Stuffing Box Packing	18°F to 220°F (-8°C to 105°C)

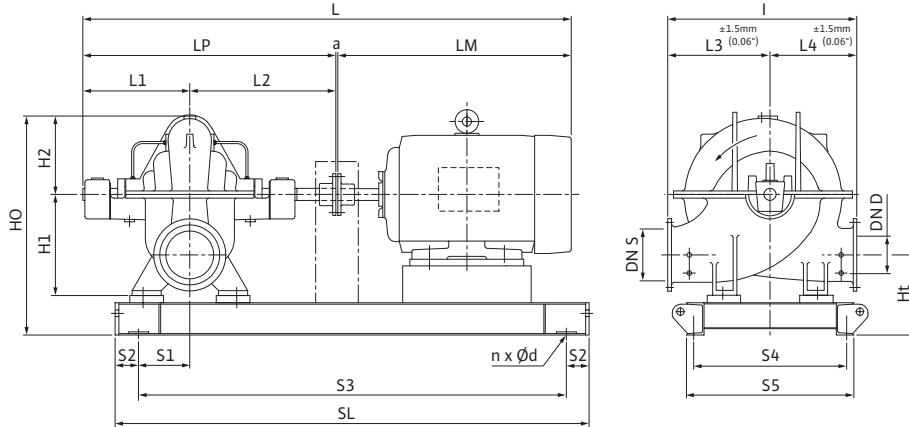
#### Materials of Construction

<input type="checkbox"/>	Pump Housing	A48 Class 35
<input type="checkbox"/>	Pump Housing (Optional)	Ni-resist BS 3468 Gr 2 / BS 2789 500.1
<input type="checkbox"/>	Impeller	BS 84 C83 600
<input type="checkbox"/>	Impeller (optional)	A48 Class 35 / BS 84 C83 600
<input type="checkbox"/>	Stationary Wear Rings	BS 84 C93 700
<input type="checkbox"/>	Pump Shaft	A276 type 410
<input type="checkbox"/>	Pump Shaft (optional)	BS 970 316 S16
<input type="checkbox"/>	Mechanical Seal	Carbon/silicon carbide/EPDM (E1)
<input type="checkbox"/>	Other Mechanical Seals	Avail. on request
<input type="checkbox"/>	Additional Spacer Coupling	Avail. on request
<input type="checkbox"/>	Other:	

Approval Stamp

Dimensional Drawing

Single Stage Pump



SCP 10 x 10 x 9½ HA

Dimensions - Inches (mm)

Frame	a	L	I	L1	L2	L3	L4	LM	LP	H1	H2	HO	Ht	n	Ød	S1	S2	S3	S4	S5	SL	P5	P6
326T	.50 (13)	65.13 (1654)	24.81 (630)	15.63 (397)	18.63 (473)	14.56 (370)	10.25 (260)	30.38 (772)	34.25 (870)	16.13 (410)	10.44 (265)	32.19 (818)	13.00 (330)	4	.91 (23)	6.25 (159)	4.00 (102)	46.75 (1187)	14.31 (363)	16.63 (422)	54.75 (1391)	-	-
364T	.50 (13)	67.74 (1721)	24.81 (630)	15.63 (397)	18.63 (473)	14.56 (370)	10.25 (260)	33.00 (838)	34.25 (870)	16.13 (410)	10.44 (265)	32.19 (818)	13.00 (330)	4	.91 (23)	6.25 (159)	4.00 (102)	48.25 (1226)	15.81 (402)	18.13 (461)	56.25 (1429)	-	-
365T	.50 (13)	67.74 (1721)	24.81 (630)	15.63 (397)	18.63 (473)	14.56 (370)	10.25 (260)	33.00 (838)	34.25 (870)	16.13 (410)	10.44 (265)	32.19 (818)	13.00 (330)	4	.91 (23)	6.25 (159)	4.00 (102)	48.25 (1226)	15.81 (402)	18.13 (461)	56.25 (1429)	-	-

Flange Dimensions – Suction Side

Dimensions - Inches (mm)

DN S #125	ØD	Ød	Øk	b	n	D2
10	16.00 (406)	12.75 (324)	14.25 (362)	1.19 (30)	12	1.00 (25)

Flange Dimensions – Discharge Side

Dimensions - Inches (mm)

DN D 125#	ØD	Ød	Øk	b	n	D2
10	16.00 (406)	12.75 (324)	14.25 (362)	1.19 (30)	12	1.00 (25)

