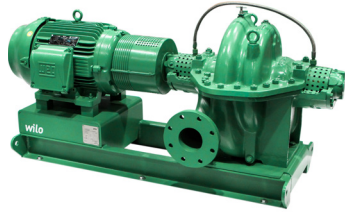


# Submittal Data Sheet

## Wilo SCP – Horizontal Split Case Pumps

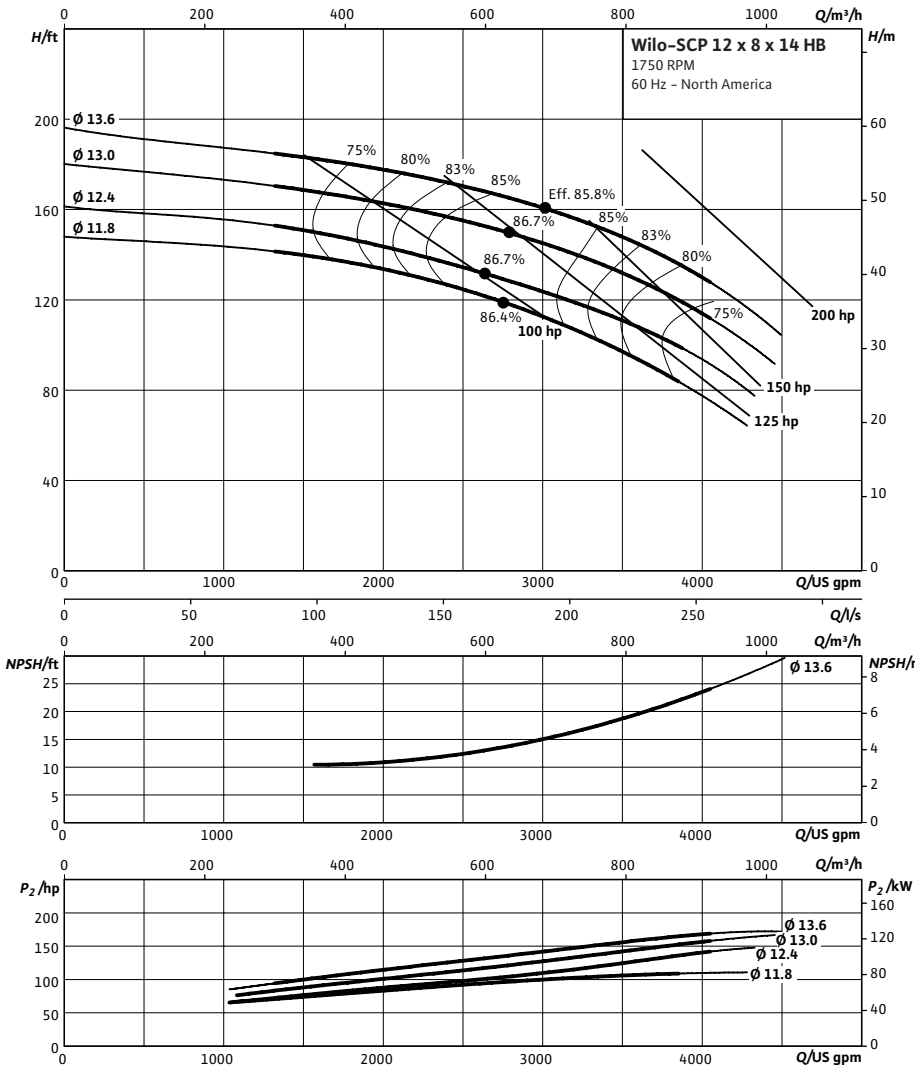


### SCP 12 x 8 x 14 HB



Project:	
Engineer:	
Contractor:	
Submitted By:	Date:
Approved By:	Date:

Tag #	Model #	Flow (USGPM)	Head (Feet)	HP	Enclosure TEFC/ODP	Frame	Cycle	Phase	Voltage	RPM
	SCP 12 x 8 x 14 HB						60 Hz	3		



#### Technical Data

##### Approved Fluids

Heating Water  
Cooling and cold water

Water-Glycol mixtures (for 20-40% glycol and fluid temp ≤ 104°F [40°C])

##### Fluid Temperature

Mechanical Seal 18°F to 250°F (-8°C to 120°C)  
Stuffing Box Packing 18°F to 220°F (-8°C to 105°C)

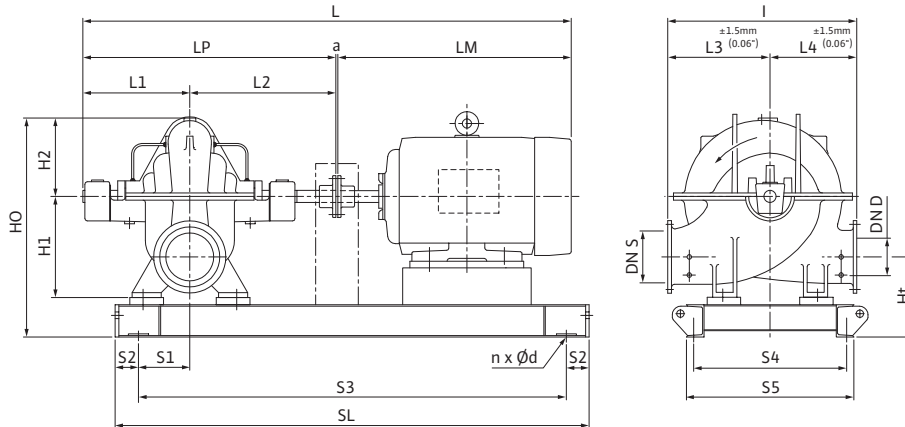
#### Materials of Construction

<input type="checkbox"/>	Pump Housing	A48 Class 35
<input type="checkbox"/>	Pump Housing (Optional)	Ni-resist BS 3468 Gr 2 / BS 2789 500.1
<input type="checkbox"/>	Impeller	BS 84 C83 600
<input type="checkbox"/>	Impeller (optional)	A48 Class 35 / BS 84 C83 600
<input type="checkbox"/>	Stationary Wear Rings	BS 84 C93 700
<input type="checkbox"/>	Pump Shaft	A276 type 410
<input type="checkbox"/>	Pump Shaft (optional)	BS 970 316 S16
<input type="checkbox"/>	Mechanical Seal	Carbon/silicon carbide/EPDM (E1)
<input type="checkbox"/>	Other Mechanical Seals	Avail. on request
<input type="checkbox"/>	Additional Spacer Coupling	Avail. on request
<input type="checkbox"/>	Other:	

Approval Stamp

### Dimensional Drawing

### Single Stage Pump



### SCP 12 x 8 x 14 HB

Dimensions - Inches (mm)

Frame	a	L	I	L1	L2	L3	L4	LM	LP	H1	H2	HO	Ht	n	Ød	S1	S2	S3	S4	S5	SL	P5	P6
404T	.50 (13)	78.81 (2002)	32.31 (821)	19.06 (484)	22.06 (560)	18.50 (470)	13.75 (349)	37.25 (946)	41.13 (1045)	17.69 (449)	12.63 (321)	36.13 (918)	12.63 (321)	4	.91 (23)	6.25 (159)	4.00 (102)	55.63 (1413)	18.94 (481)	21.31 (541)	63.63 (1616)	-	-
405T	.50 (13)	85.88 (2181)	32.31 (821)	19.06 (484)	22.06 (560)	18.50 (470)	13.75 (349)	44.25 (1124)	41.13 (1045)	17.69 (449)	12.63 (321)	36.13 (918)	12.63 (321)	4	.91 (23)	6.25 (159)	4.00 (102)	55.63 (1413)	18.94 (481)	21.31 (541)	63.63 (1616)	-	-
444T	.50 (13)	85.88 (2181)	32.31 (821)	19.06 (484)	22.06 (560)	18.50 (470)	13.75 (349)	44.25 (1124)	41.13 (1045)	17.69 (449)	12.63 (321)	36.13 (918)	12.63 (321)	4	.91 (23)	6.25 (159)	4.00 (102)	60.81 (1545)	21.56 (548)	23.88 (607)	68.81 (1748)	-	-
445T	.50 (13)	85.88 (2181)	32.31 (821)	19.06 (484)	22.06 (560)	18.50 (470)	13.75 (349)	44.25 (1124)	41.13 (1045)	17.69 (449)	12.63 (321)	36.13 (918)	12.63 (321)	4	.91 (23)	6.25 (159)	4.00 (102)	60.81 (1545)	21.56 (548)	23.88 (607)	68.81 (1748)	-	-

### Flange Dimensions – Suction Side

Dimensions - Inches (mm)

DN S #125	ØD	Ød	Øk	b	n	D2
12	19 (483)	15.00 (381)	17.00 (432)	1.25 (32)	12	1.00 (25)

### Flange Dimensions – Discharge Side

Dimensions - Inches (mm)

DN D 125#	ØD	Ød	Øk	b	n	D2
8	13.50 (343)	10.63 (270)	11.75 (298)	1.13 (29)	8	.88 (22)

