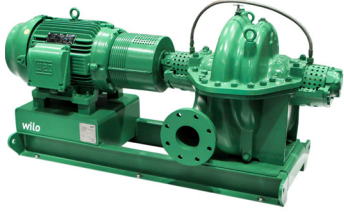


Submittal Data Sheet

Wilco SCP - Horizontal Split Case Pumps

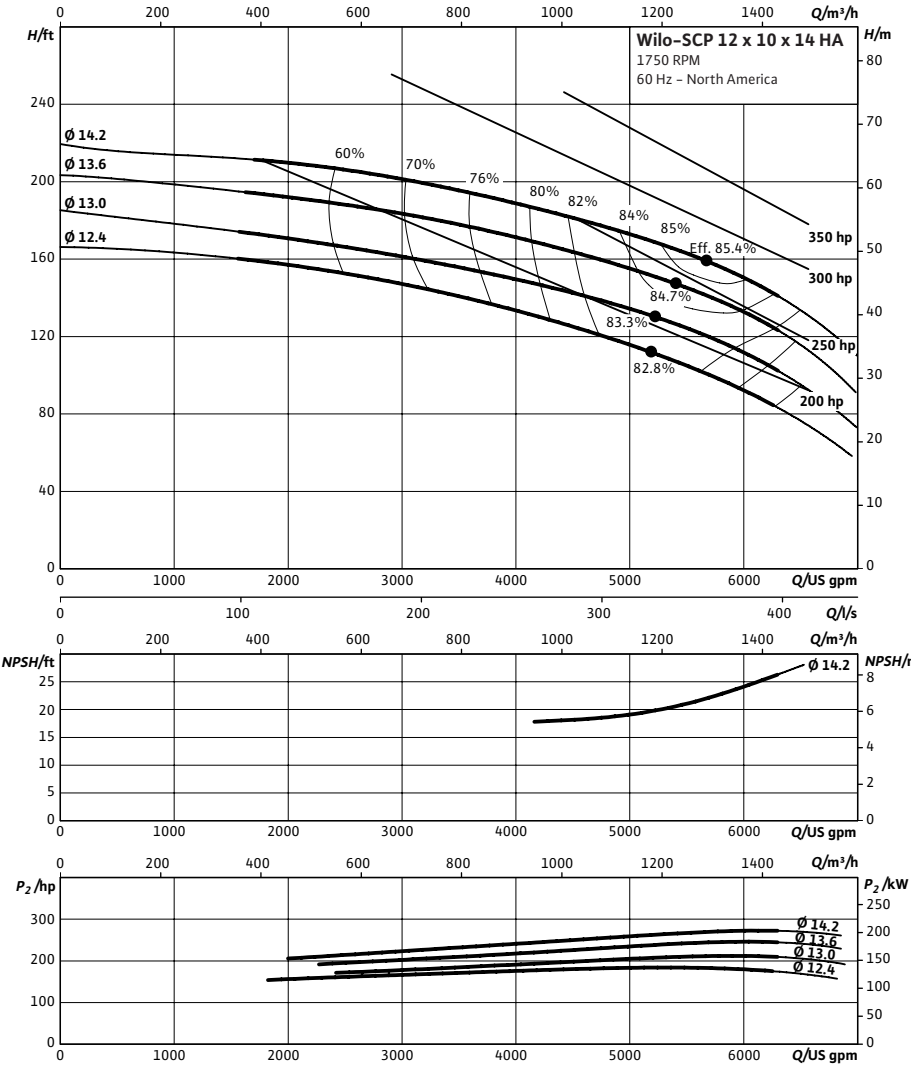


SCP 12 x 10 x 14 HA



| | |
|---------------|-------|
| Project: | |
| Engineer: | |
| Contractor: | |
| Submitted By: | Date: |
| Approved By: | Date: |

| Tag # | Model # | Flow (USGPM) | Head (Feet) | HP | Enclosure TEFC/ODP | Frame | Cycle | Phase | Voltage | RPM |
|-------|---------------------|--------------|-------------|----|--------------------|-------|-------|-------|---------|-----|
| | SCP 12 x 10 x 14 HA | | | | | | 60 Hz | 3 | | |



Technical Data

Approved Fluids
 Heating Water
 Cooling and cold water
 Water-Glycol mixtures (for 20-40% glycol and fluid temp ≤ 104°F [40°C])

Fluid Temperature
 Mechanical Seal: 18°F to 250°F (-8°C to 120°C)
 Stuffing Box Packing: 18°F to 220°F (-8°C to 105°C)

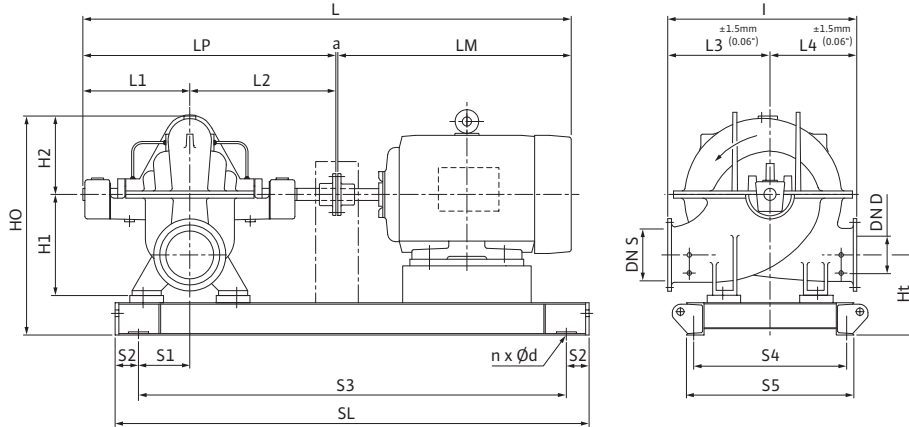
Materials of Construction

| | |
|---|--|
| <input type="checkbox"/> Pump Housing | A48 Class 35 |
| <input type="checkbox"/> Pump Housing (Optional) | Ni-resist BS 3468 Gr 2 / BS 2789 500.1 |
| <input type="checkbox"/> Impeller | BS 84 C83 600 |
| <input type="checkbox"/> Impeller (optional) | A48 Class 35 / BS 84 C83 600 |
| <input type="checkbox"/> Stationary Wear Rings | BS 84 C93 700 |
| <input type="checkbox"/> Pump Shaft | A276 type 410 |
| <input type="checkbox"/> Pump Shaft (optional) | BS 970 316 S16 |
| <input type="checkbox"/> Mechanical Seal | Carbon/silicon carbide/EPDM (E1) |
| <input type="checkbox"/> Other Mechanical Seals | Avail. on request |
| <input type="checkbox"/> Additional Spacer Coupling | Avail. on request |
| <input type="checkbox"/> Other: | |

Approval Stamp

Dimensional Drawing

Single Stage Pump



SCP 12 x 10 x 14 HA

Dimensions - Inches (mm)

| Frame | a | L | I | L1 | L2 | L3 | L4 | LM | LP | H1 | H2 | HO | Ht | n | Ød | S1 | S2 | S3 | S4 | S5 | SL | P5 | P6 |
|------------------|-------------|-----------------|----------------|----------------|----------------|----------------|----------------|-----------------|-----------------|----------------|----------------|-----------------|----------------|---|-------------|---------------|---------------|-----------------|----------------|----------------|-----------------|----|----|
| 445T / 200 hp | .50 (13) | 89.13 (2264) | 35.31 (897) | 19.88 (505) | 24.50 (622) | 20.38 (518) | 14.94 (380) | 44.25 (1124) | 44.38 (1127) | 21.25 (540) | 13.38 (340) | 40.44 (1027) | 14.44 (367) | 4 | .91 (23) | 8.19 (208) | 4.00 (102) | 65.19 (1656) | 21.56 (548) | 23.88 (607) | 73.19 (1859) | - | - |
| 445T / 250 hp | .19 (5) | 95.31 (2340) | 35.31 (897) | 19.88 (505) | 24.50 (622) | 20.38 (518) | 14.94 (380) | 47.75 (1213) | 44.38 (1127) | 21.25 (540) | 13.38 (340) | 40.44 (1027) | 14.44 (367) | 4 | .91 (23) | 8.19 (208) | 4.00 (102) | 65.81 (1672) | 21.56 (548) | 23.88 (607) | 73.94 (1878) | - | - |
| 445T / 300 hp | .19 (5) | 98.00 (2489) | 35.31 (897) | 19.88 (505) | 24.50 (622) | 20.38 (518) | 14.94 (380) | 53.38 (1356) | 44.38 (1127) | 21.25 (540) | 13.38 (340) | 40.44 (1027) | 14.44 (367) | 4 | .91 (23) | 8.19 (208) | 4.00 (102) | 65.81 (1672) | 21.56 (548) | 23.88 (607) | 73.94 (1878) | - | - |
| 449T / 350 hp | .19 (5) | 98.00 (2489) | 35.31 (897) | 19.88 (505) | 24.50 (622) | 20.38 (518) | 14.94 (380) | 53.38 (1356) | 44.38 (1127) | 21.25 (540) | 13.38 (340) | 40.44 (1027) | 14.44 (367) | 4 | .91 (23) | 8.19 (208) | 4.00 (102) | 74.19 (1884) | 21.06 (535) | 23.38 (593) | 82.19 (2088) | - | - |

Flange Dimensions – Suction Side

Dimensions - Inches (mm)

| DN S #125 | ØD | Ød | Øk | b | n | D2 |
|-----------|-------------|----------------|----------------|--------------|----|--------------|
| 12 | 19 (483) | 15.00 (381) | 17.00 (432) | 1.25 (32) | 12 | 1.00 (25) |

Flange Dimensions – Discharge Side

Dimensions - Inches (mm)

| DN D 125# | ØD | Ød | Øk | b | n | D2 |
|-----------|----------------|----------------|----------------|-----------------|----|--------------|
| 10 | 16.00 (406) | 12.75 (324) | 14.25 (362) | 1.81 (30.16) | 12 | 1.00 (25) |

