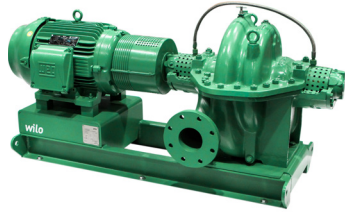


# Submittal Data Sheet

## Wilo SCP – Horizontal Split Case Pumps

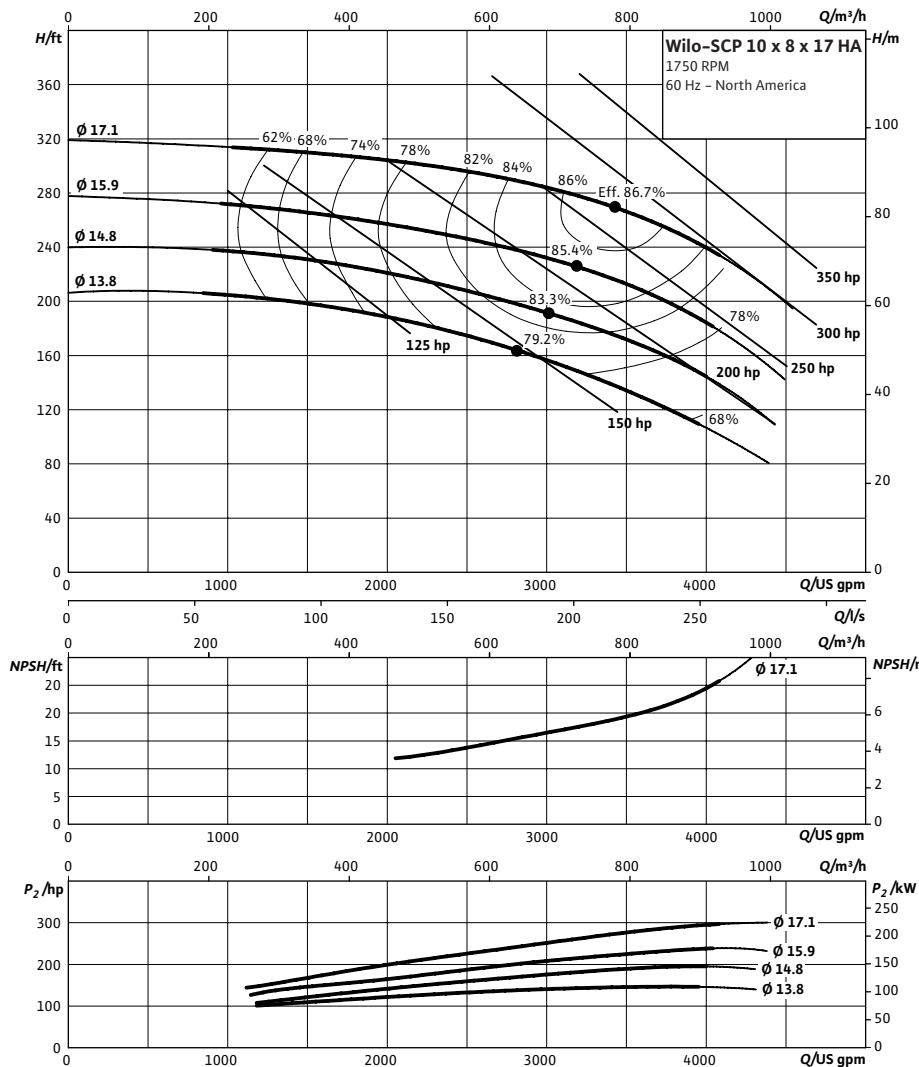


### SCP 10 x 8 x 17 HA



Project:	
Engineer:	
Contractor:	
Submitted By:	Date:
Approved By:	Date:

Tag #	Model #	Flow (USGPM)	Head (Feet)	HP	Enclosure TEFC/ODP	Frame	Cycle	Phase	Voltage	RPM
	SCP 10 x 8 x 17 HA						60 Hz	3		



#### Technical Data

Approved Fluids	
Heating Water	
Cooling and cold water	
Water-Glycol mixtures (for 20–40% glycol and fluid temp ≤ 104°F [40°C])	

Fluid Temperature	
Mechanical Seal	18°F to 250°F (-8°C to 120°C)
Stuffing Box Packing	18°F to 220°F (-8°C to 105°C)

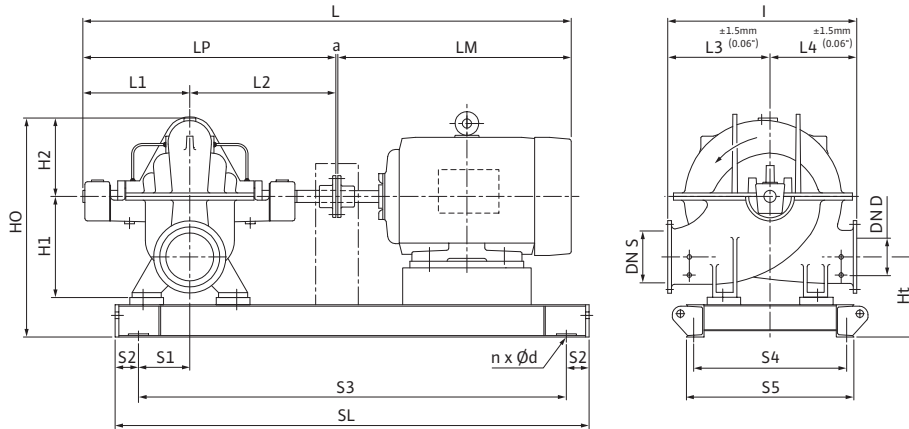
#### Materials of Construction

<input type="checkbox"/> Pump Housing	A48 Class 35
<input type="checkbox"/> Pump Housing (Optional)	Ni-resist BS 3468 Gr 2 / BS 2789 500.1
<input type="checkbox"/> Impeller	BS 84 C83 600
<input type="checkbox"/> Impeller (optional)	A48 Class 35 / BS 84 C83 600
<input type="checkbox"/> Stationary Wear Rings	BS 84 C93 700
<input type="checkbox"/> Pump Shaft	A276 type 410
<input type="checkbox"/> Pump Shaft (optional)	BS 970 316 S16
<input type="checkbox"/> Mechanical Seal	Carbon/silicon carbide/EPDM (E1)
<input type="checkbox"/> Other Mechanical Seals	Avail. on request
<input type="checkbox"/> Additional Spacer Coupling	Avail. on request
<input type="checkbox"/> Other:	

Approval Stamp

### Dimensional Drawing

### Single Stage Pump



### SCP 10 x 8 x 17 HA

Dimensions - Inches (mm)

Frame	a	L	I	L1	L2	L3	L4	LM	LP	H1	H2	HO	Ht	n	Ød	S1	S2	S3	S4	S5	SL	P5	P6
405T	.50 (13)	89.13 (2264)	33.06 (840)	19.88 (505)	24.50 (622)	17.31 (440)	15.75 (400)	44.25 (1124)	44.38 (1127)	18.31 (465)	13.00 (330)	37.25 (946)	12.44 (316)	4	.91 (23)	6.44 (164)	4.00 (102)	58.31 (1481)	21.69 (551)	24.06 (611)	66.31 (1684)	-	-
444T	.50 (13)	89.13 (2264)	33.06 (840)	19.88 (505)	24.50 (622)	17.31 (440)	15.75 (400)	44.25 (1124)	44.38 (1127)	18.31 (465)	13.00 (330)	37.25 (946)	12.44 (316)	4	.91 (23)	6.44 (164)	4.00 (102)	63.44 (1611)	21.69 (551)	24.06 (611)	71.44 (1815)	-	-
445T/ 200 hp	.50 (13)	89.13 (2264)	33.06 (840)	19.88 (505)	24.50 (622)	17.31 (440)	15.75 (400)	44.25 (1124)	44.38 (1127)	18.31 (465)	13.00 (330)	37.25 (946)	12.44 (316)	4	.91 (23)	6.25 (159)	4.00 (102)	63.44 (1611)	21.69 (551)	24.06 (611)	71.44 (1815)	-	-
445T/ 250 hp	.19 (5)	92.31 (2340)	33.06 (840)	19.88 (505)	24.50 (622)	17.31 (440)	15.75 (400)	47.75 (1213)	44.38 (1127)	18.31 (465)	13.00 (330)	37.25 (946)	12.44 (316)	4	.91 (23)	6.25 (159)	4.00 (102)	64.13 (1629)	21.69 (551)	24.06 (611)	72.13 (1832)	-	-
445T/ 300 hp	.19 (5)	98.00 (2489)	33.06 (840)	19.88 (505)	24.50 (622)	17.31 (440)	15.75 (400)	53.38 (1356)	44.38 (1127)	18.31 (465)	13.00 (330)	37.25 (946)	12.44 (316)	4	.91 (23)	6.25 (159)	4.00 (102)	64.13 (1629)	21.69 (551)	24.06 (611)	72.13 (1832)	-	-
449T	.19 (5)	98.00 (2489)	33.06 (840)	19.88 (505)	24.50 (622)	17.31 (440)	15.75 (400)	53.38 (1356)	44.38 (1127)	18.31 (465)	13.00 (330)	37.25 (946)	12.44 (316)	4	.91 (23)	6.25 (159)	4.00 (102)	72.38 (1838)	21.69 (551)	24.06 (611)	80.38 (2052)	-	-

### Flange Dimensions – Suction Side

Dimensions - Inches (mm)

DN S #125	ØD	Ød	Øk	b	n	D2
10	16.00 (406)	12.75 (324)	14.25 (362)	1.19 (30)	12	1.00 (25)

### Flange Dimensions – Discharge Side

Dimensions - Inches (mm)

DN D 125#	ØD	Ød	Øk	b	n	D2
8	13.50 (343)	10.63 (270)	11.75 (298)	1.13 (29)	8	.88 (22)

